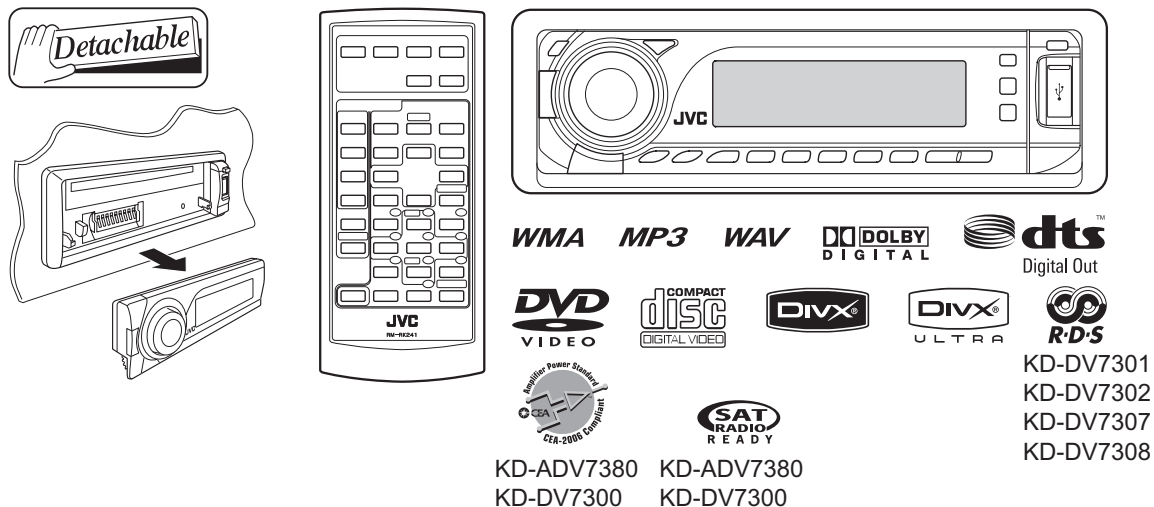


# JVC

## SERVICE MANUAL

### DVD/CD RECEIVER

**KD-ADV7380J, KD-DV7300J, KD-DV7301E,  
KD-DV7301EU, KD-DV7302E, KD-DV7302EU,  
KD-DV7304UI, KD-DV7305U, KD-DV7305UN,  
KD-DV7305UT, KD-DV7305A, KD-DV7306U,  
KD-DV7306UN, KD-DV7306UT, KD-DV7306A,  
KD-DV7307EE, KD-DV7308EE, KD-DV7388UF**



Lead free solder used in the board (material : Sn-Ag-Cu, melting point : 219 Centigrade)

Lead free solder used in the board (material : Sn-Cu, melting point : 230 Centigrade)

### TABLE OF CONTENTS

1	PRECAUTION	1-9
2	SPECIFIC SERVICE INSTRUCTIONS	1-12
3	DISASSEMBLY	1-13
4	ADJUSTMENT	1-25
5	TROUBLESHOOTING	1-31

# SPECIFICATION

## KD-ADV7380/KD-DV7300

AUDIO AMPLIFIER SECTION			
Power Output		20 W RMS × 4 Channels at 4 Ω and [ $\leq$ or $\geq$ ] 1% THD+N	
Signal to Noise Ratio		80 dBA (reference: 1 W into 4 Ω)	
Load Impedance		4 Ω (4 Ω to 8 Ω allowance)	
Equalizer Control Range	Frequencies	60 Hz, 150 Hz, 400 Hz, 1 kHz, 2.5 kHz, 6.3 kHz, 15 kHz	
	Level	±10 dB	
Audio Output Level	Digital (DIGITAL OUT: Optical)	Signal wave length: 660 nm Output level: -21 dBm to -15 dBm	
	Line-Out Level/Impedance	KD-ADV7380: 5.0 V/20 kΩ load (full scale) KD-DV7300: 2.5 V/20 kΩ load (full scale)	
	Output Impedance	1 kΩ	
Subwoofer-out Level/Impedance		2.5 V/20 kΩ load (full scale)	
Color system		NTSC	
Video Output (composite)		1 V <sub>p-p</sub> /75 Ω	
Other Terminal		CD changer, Steering wheel remote input (for KD-ADV7380), LINE IN, 2nd AUDIO OUT	
TUNER SECTION			
Frequency Range	FM	87.5 MHz to 107.9 MHz (with channel interval set to 100 kHz or 200 kHz) 87.5 MHz to 108.0 MHz (with channel interval set to 50 kHz)	
	AM	530 kHz to 1 710 kHz (with channel interval set to 10 kHz) 531 kHz to 1 602 kHz (with channel interval set to 9 kHz)	
FM Tuner	Usable Sensitivity	11.3 dBf (1.0 μV/75 Ω)	
	50 dB Quieting Sensitivity	16.3 dBf (1.8 μV/75 Ω)	
	Alternate Channel Selectivity (400 kHz)	65 dB	
	Frequency Response	40 Hz to 15 000 Hz	
	Stereo Separation	30 dB	
AM Tuner	Sensitivity	20 μV	
	Selectivity	35 dB	
DVD/CD PLAYER SECTION			
Signal Detection System		Non-contact optical pickup (semiconductor laser)	
Number of Channels		2 channels (stereo)	
Frequency Response	DVD, fs=48 kHz/96 kHz	16 Hz to 22 000 Hz	
	CD, fs=44.1 kHz	16 Hz to 20 000 Hz	
Dynamic Range		96 dB	
Signal-to-Noise Ratio		98 dB	
Wow and Flutter		Less than measurable limit	
DivX/MPEG Video	Video	Max. Resolution	720 × 480 pixels (30 fps) 720 × 576 pixels (25 fps)
		Audio	Bit Rate
	Sampling Frequency: DivX		MPEG-1: 32 kHz, 44.1 kHz, 48 kHz MPEG-2: 16 kHz, 22.05 kHz, 24 kHz
	Sampling Frequency: MPEG Video		32 kHz, 44.1 kHz, 48 kHz
MP3	Bit Rate	32 kbps - 320 kbps	
	Sampling Frequency	MPEG-1: 32 kHz, 44.1 kHz, 48 kHz MPEG-2: 16 kHz, 22.05 kHz, 24 kHz	
WMA	Bit Rate	32 kbps - 320 kbps	
	Sampling Frequency	22.05 kHz, 32 kHz, 44.1 kHz, 48 kHz	
AAC	Bit Rate	16 kbps - 320 kbps	
	Sampling Frequency	44.1 kHz, 48 kHz	

WAV	Quantization Bit Rate	16 bit
	Sampling Frequency	44.1 kHz
<b>USB SECTION</b>		
USB Standard		USB 1.1/USB 2.0
Data Transfer Rate	Full Speed	Max. 12 Mbps
	Low Speed	Max. 1.5 Mbps
Compatible Device		Mass storage class
Compatible File System		FAT 12/16/32
Playable Audio/Video Format		DivX/MPEG Video/MP3/WMA/AAC/WAV
Max. Current		500 mA
<b>GENERAL</b>		
Power Requirement	Operating Voltage	DC 14.4 V (11 V to 16 V allowance)
Grounding System		Negative ground
Allowable Operating Temperature		0°C to +40°C (32°F to 104°F)
Dimensions (W × H × D)	Installation Size (approx.)	182 mm × 52 mm × 158 mm (7-3/16" × 2-1/16" × 6-1/4")
	Panel Size (approx.)	188 mm × 58 mm × 12 mm (7-7/16" × 2-5/16" × 1/2")
Mass (approx.)		1.6 kg (3.6 lbs) (excluding accessories)

Design and specifications are subject to change without notice.

#### **KD-DV7302/KD-DV7301**

<b>AUDIO AMPLIFIER SECTION</b>		
Maximum Power Output	Front/Rear	50 W per channel
Continuous Power Output (RMS)	Front/Rear	19 W per channel into 4 Ω, 40 Hz to 20 000 Hz at no more than 0.8% total harmonic distortion
Load Impedance		4 Ω (4 Ω to 8 Ω allowance)
Equalizer Control Range	Frequencies	60 Hz, 150 Hz, 400 Hz, 1 kHz, 2.5 kHz, 6.3 kHz, 15 kHz
	Level	±10 dB
Signal to Noise Ratio		70 dB
Audio Output Level	Digital (DIGITAL OUT: Optical)	Signal wave length: 660 nm Output level: -21 dBm to -15 dBm
	Line-Out Level/Impedance	2.5 V/20 kΩ load (full scale)
	Output Impedance	1 kΩ
Subwoofer-out Level/Impedance		2.5 V/20 kΩ load (full scale)
Color system		PAL
Video Output (composite)		1 Vp-p/75 Ω
Other Terminal		CD changer, steering wheel remote input, LINE IN, 2nd AUDIO OUT
<b>TUNER SECTION</b>		
Frequency Range	FM	87.5 MHz to 108.0 MHz
	AM	(MW) 522 kHz to 1 620 kHz (LW) 144 kHz to 279 kHz
FM Tuner	Usable Sensitivity	11.3 dBf (1.0 μV/75 Ω)
	50 dB Quieting Sensitivity	16.3 dBf (1.8 μV/75 Ω)
	Alternate Channel Selectivity (400 kHz)	65 dB
	Frequency Response	40 Hz to 15 000 Hz
	Stereo Separation	30 dB
MW Tuner	Sensitivity/Selectivity	20 μV/35 dB
LW Tuner	Sensitivity	50 μV
<b>DVD/CD PLAYER SECTION</b>		
Signal Detection System		Non-contact optical pickup (semiconductor laser)
Number of Channels		2 channels (stereo)

Frequency Response	DVD, fs=48 kHz/96 kHz		16 Hz to 22 000 Hz
	CD, fs=44.1 kHz		16 Hz to 20 000 Hz
Dynamic Range			96 dB
Signal-to-Noise Ratio			98 dB
Wow and Flutter			Less than measurable limit
DivX/MPEG Video	Video	Max. Resolution	720 × 480 pixels (30 fps) 720 × 576 pixels (25 fps)
		Audio	Bit Rate
	Sampling Frequency: DivX		MPEG-1: 32 kHz, 44.1 kHz, 48 kHz MPEG-2: 16 kHz, 22.05 kHz, 24 kHz
	Sampling Frequency: MPEG Video		32 kHz, 44.1 kHz, 48 kHz
MP3	Bit Rate	32 kbps - 320 kbps MPEG-1: 32 kHz, 44.1 kHz, 48 kHz	
	Sampling Frequency	MPEG-2: 16 kHz, 22.05 kHz, 24 kHz	
WMA	Bit Rate	32 kbps - 320 kbps	
	Sampling Frequency	22.05 kHz, 32 kHz, 44.1 kHz, 48 kHz	
AAC	Bit Rate	16 kbps - 320 kbps	
	Sampling Frequency	44.1 kHz, 48 kHz	
WAV	Quantization Bit Rate	16 bit	
	Sampling Frequency	44.1 kHz	
<b>USB SECTION</b>			
USB Standard			USB 1.1/USB 2.0
Data Transfer Rate	Full Speed		Max. 12 Mbps
	Low Speed		Max. 1.5 Mbps
Compatible Device			Mass storage class
Compatible File System			FAT 12/16/32
Playable Audio/Video Format			DivX/MPEG Video/MP3/WMA/AAC/WAV
Max. Current			500 mA
<b>GENERAL</b>			
Power Requirement	Operating Voltage		DC 14.4 V (11 V to 16 V allowance)
Grounding System			Negative ground
Allowable Operating Temperature			0°C to +40°C
Dimensions (W × H × D)	Installation Size (approx.)		182 mm × 52 mm × 158 mm
	Panel Size (approx.)		188 mm × 58 mm × 12 mm
Mass (approx.)			1.6 kg (excluding accessories)

Design and specifications are subject to change without notice.

#### **KD-DV7304**

<b>AUDIO AMPLIFIER SECTION</b>			
Maximum Power Output	Front/Rear	50 W per channel	
Continuous Power Output (RMS)	Front/Rear	19 W per channel into 4 Ω, 40 Hz to 20 000 Hz at no more than 0.8% total harmonic distortion	
Load Impedance			4 Ω (4 Ω to 8 Ω allowance)
Equalizer Control Range	Frequencies	60 Hz, 150 Hz, 400 Hz, 1 kHz, 2.5 kHz, 6.3 kHz, 15 kHz	
	Level	±10 dB	
Signal to Noise Ratio			70 dB
Audio Output Level	Digital (DIGITAL OUT: Optical)	Signal wave length: 660 nm Output level: -21 dBm to -15 dBm	
	Line-Out Level/Impedance	2.5 V/20 kΩ load (full scale)	
	Output Impedance	1 kΩ	
Subwoofer-out Level/Impedance			2.5 V/20 kΩ load (full scale)
Color system			PAL/NTSC

Video Output (composite)		1 Vp-p/75 Ω	
Other Terminal		CD changer, LINE IN, 2nd AUDIO OUT	
<b>TUNER SECTION</b>			
Frequency Range	FM	87.5 MHz to 108.0 MHz	
	AM	531 kHz to 1 602 kHz	
FM Tuner	Usable Sensitivity	11.3 dBf (1.0 μV/75 Ω)	
	50 dB Quieting Sensitivity	16.3 dBf (1.8 μV/75 Ω)	
	Alternate Channel Selectivity (400 kHz)	65 dB	
	Frequency Response	40 Hz to 15 000 Hz	
	Stereo Separation	30 dB	
AM Tuner	Sensitivity/Selectivity	20 μV/35 dB	
<b>DVD/CD PLAYER SECTION</b>			
Signal Detection System		Non-contact optical pickup (semiconductor laser)	
Number of Channels		2 channels (stereo)	
Frequency Response	DVD, fs=48 kHz/96 kHz	16 Hz to 22 000 Hz	
	CD, fs=44.1 kHz	16 Hz to 20 000 Hz	
Dynamic Range		96 dB	
Signal-to-Noise Ratio		98 dB	
Wow and Flutter		Less than measurable limit	
DivX/MPEG Video	Video	Max. Resolution	720 × 480 pixels (30 fps) 720 × 576 pixels (25 fps)
		Audio	Bit Rate
	Sampling Frequency: DivX		MPEG-1: 32 kHz, 44.1 kHz, 48 kHz MPEG-2: 16 kHz, 22.05 kHz, 24 kHz
	Sampling Frequency: MPEG Video		32 kHz, 44.1 kHz, 48 kHz
MP3	Bit Rate	32 kbps - 320 kbps	
	Sampling Frequency	MPEG-1: 32 kHz, 44.1 kHz, 48 kHz MPEG-2: 16 kHz, 22.05 kHz, 24 kHz	
WMA	Bit Rate	32 kbps - 320 kbps	
	Sampling Frequency	22.05 kHz, 32 kHz, 44.1 kHz, 48 kHz	
WAV	Quantization Bit Rate	16 bit	
	Sampling Frequency	44.1 kHz	
<b>USB SECTION</b>			
USB Standard		USB 1.1/USB 2.0	
Data Transfer Rate	Full Speed	Max. 12 Mbps	
	Low Speed	Max. 1.5 Mbps	
Compatible Device		Mass storage class	
Compatible File System		FAT 12/16/32	
Playable Audio/Video Format		DivX/MPEG Video/MP3/WMA/AAC/WAV	
Max. Current		500 mA	
<b>GENERAL</b>			
Power Requirement	Operating Voltage	DC 14.4 V (11 V to 16 V allowance)	
Grounding System		Negative ground	
Allowable Operating Temperature		0°C to +40°C	
Dimensions (W × H × D)	Installation Size (approx.)	182 mm × 52 mm × 158 mm	
	Panel Size (approx.)	188 mm × 58 mm × 12 mm	
Mass (approx.)		1.6 kg (excluding accessories)	

Design and specifications are subject to change without notice.

**KD-DV7306/KD-DV7305**

<b>AUDIO AMPLIFIER SECTION</b>			
Maximum Power Output	Front/Rear	50 W per channel	
Continuous Power Output (RMS)	Front/Rear	19 W per channel into 4 $\Omega$ , 40 Hz to 20 000 Hz at no more than 0.8% total harmonic distortion	
Load Impedance		4 $\Omega$ (4 $\Omega$ to 8 $\Omega$ allowance)	
Equalizer Control Range	Frequencies	60 Hz, 150 Hz, 400 Hz, 1 kHz, 2.5 kHz, 6.3 kHz, 15 kHz	
	Level	$\pm$ 10 dB	
Signal to Noise Ratio		70 dB	
Audio Output Level	Digital (DIGITAL OUT: Optical)	Signal wave length: 660 nm Output level: -21 dBm to -15 dBm	
	Line-Out Level/Impedance	2.5 V/20 k $\Omega$ load (full scale)	
	Output Impedance	1 k $\Omega$	
Subwoofer-out Level/Impedance		2.5 V/20 k $\Omega$ load (full scale)	
Color system		PAL/NTSC	
Video Output (composite)		1 V <sub>p-p</sub> /75 $\Omega$	
Other Terminal		CD changer, LINE IN, 2nd AUDIO OUT	
<b>TUNER SECTION</b>			
Frequency Range	FM	87.5 MHz to 108.0 MHz	
	AM	531 kHz to 1 602 kHz	
FM Tuner	Usable Sensitivity	11.3 dBf (1.0 $\mu$ V/75 $\Omega$ )	
	50 dB Quieting Sensitivity	16.3 dBf (1.8 $\mu$ V/75 $\Omega$ )	
	Alternate Channel Selectivity (400 kHz)	65 dB	
	Frequency Response	40 Hz to 15 000 Hz	
	Stereo Separation	30 dB	
AM Tuner	Sensitivity/Selectivity	20 $\mu$ V/35 dB	
<b>DVD/CD PLAYER SECTION</b>			
Signal Detection System		Non-contact optical pickup (semiconductor laser)	
Number of Channels		2 channels (stereo)	
Frequency Response	DVD, fs=48 kHz/96 kHz	16 Hz to 22 000 Hz	
	CD, fs=44.1 kHz	16 Hz to 20 000 Hz	
Dynamic Range		96 dB	
Signal-to-Noise Ratio		98 dB	
Wow and Flutter		Less than measurable limit	
DivX/MPEG Video	Video	Max. Resolution	720 $\times$ 480 pixels (30 fps) 720 $\times$ 576 pixels (25 fps)
		Audio	Bit Rate
	Sampling Frequency: DivX		MPEG-1: 32 kHz, 44.1 kHz, 48 kHz MPEG-2: 16 kHz, 22.05 kHz, 24 kHz
	Sampling Frequency: MPEG Video		32 kHz, 44.1 kHz, 48 kHz
MP3	Bit Rate	32 kbps - 320 kbps	
	Sampling Frequency	MPEG-1: 32 kHz, 44.1 kHz, 48 kHz MPEG-2: 16 kHz, 22.05 kHz, 24 kHz	
WMA	Bit Rate	32 kbps - 320 kbps	
	Sampling Frequency	22.05 kHz, 32 kHz, 44.1 kHz, 48 kHz	
WAV	Quantization Bit Rate	16 bit	
	Sampling Frequency	44.1 kHz	
<b>USB SECTION</b>			
USB Standard		USB 1.1/USB 2.0	
Data Transfer Rate	Full Speed	Max. 12 Mbps	
	Low Speed	Max. 1.5 Mbps	

Compatible Device	Mass storage class	
Compatible File System	FAT 12/16/32	
Playable Audio/Video Format	DivX/MPEG Video/MP3/WMA/WAV	
Max. Current	500 mA	
<b>GENERAL</b>		
Power Requirement	Operating Voltage	DC 14.4 V (11 V to 16 V allowance)
Grounding System		Negative ground
Allowable Operating Temperature		0°C to +40°C
Dimensions (W × H × D)	Installation Size (approx.)	182 mm × 52 mm × 158 mm
	Panel Size (approx.)	188 mm × 58 mm × 12 mm
Mass (approx.)		1.6 kg (excluding accessories)

Design and specifications are subject to change without notice.

#### **KD-DV7308/KD-DV7307**

<b>AUDIO AMPLIFIER SECTION</b>		
Maximum Power Output	Front/Rear	50 W per channel
Continuous Power Output (RMS)	Front/Rear	19 W per channel into 4 Ω, 40 Hz to 20 000 Hz at no more than 0.8% total harmonic distortion
Load Impedance		4 Ω (4 Ω to 8 Ω allowance)
Equalizer Control Range	Frequencies	60 Hz, 150 Hz, 400 Hz, 1 kHz, 2.5 kHz, 6.3 kHz, 15 kHz
	Level	±10 dB
Signal to Noise Ratio		70 dB
Audio Output Level	Digital (DIGITAL OUT: Optical)	Signal wave length: 660 nm Output level: -21 dBm to -15 dBm
	Line-Out Level/Impedance	2.5 V/20 kΩ load (full scale)
	Output Impedance	1 kΩ
Subwoofer-out Level/Impedance		2.5 V/20 kΩ load (full scale)
Color system		PAL
Video Output (composite)		1 V <sub>p-p</sub> /75 Ω
Other Terminal		CD changer, LINE IN, 2nd AUDIO OUT
<b>TUNER SECTION</b>		
Frequency Range	FM1/FM2	87.5 MHz to 108.0 MHz
	FM3	65.00 MHz to 74.00 MHz
	AM	MW: 522 kHz to 1 620 kHz LW: 144 kHz to 279 kHz
FM Tuner	Usable Sensitivity	11.3 dBf (1.0 μV/75 Ω)
	50 dB Quieting Sensitivity	16.3 dBf (1.8 μV/75 Ω)
	Alternate Channel Selectivity (400 kHz)	65 dB
	Frequency Response	40 Hz to 15 000 Hz
	Stereo Separation	30 dB
MW Tuner	Sensitivity	20 μV
	Selectivity	35 dB
LW Tuner	Sensitivity	50 μV
<b>DVD/CD PLAYER SECTION</b>		
Signal Detection System		Non-contact optical pickup (semiconductor laser)
Number of Channels		2 channels (stereo)
Frequency Response	DVD, fs=48 kHz/96 kHz	16 Hz to 22 000 Hz
	CD, fs=44.1 kHz	16 Hz to 20 000 Hz
Dynamic Range		96 dB
Signal-to-Noise Ratio		98 dB
Wow and Flutter		Less than measurable limit


DivX/MPEG Video	Video	Max. Resolution	720 × 480 pixels (30 fps) 720 × 576 pixels (25 fps)
	Audio	Bit Rate	DivX: 32 kbps - 320 kbps MPEG Video: 32 kbps - 320 kbps
		Sampling Frequency: DivX	MPEG-1: 32 kHz, 44.1 kHz, 48 kHz MPEG-2: 16 kHz, 22.05 kHz, 24 kHz
		Sampling Frequency: MPEG Video	32 kHz, 44.1 kHz, 48 kHz
MP3	Bit Rate	32 kbps - 320 kbps	
	Sampling Frequency	MPEG-1: 32 kHz, 44.1 kHz, 48 kHz MPEG-2: 16 kHz, 22.05 kHz, 24 kHz	
WMA	Bit Rate	32 kbps - 320 kbps	
	Sampling Frequency	22.05 kHz, 32 kHz, 44.1 kHz, 48 kHz	
AAC	Bit Rate	16 kbps - 320 kbps	
	Sampling Frequency	44.1 kHz, 48 kHz	
WAV	Quantization Bit Rate	16 bit	
	Sampling Frequency	44.1 kHz	
<b>USB SECTION</b>			
USB Standard		USB 1.1/USB 2.0	
Data Transfer Rate	Full Speed	Max. 12 Mbps	
	Low Speed	Max. 1.5 Mbps	
Compatible Device		Mass storage class	
Compatible File System		FAT 12/16/32	
Playable Audio/Video Format		DivX/MPEG Video/MP3/WMA/AAC/WAV	
Max. Current		500 mA	
<b>GENERAL</b>			
Power Requirement	Operating Voltage	DC 14.4 V (11 V to 16 V allowance)	
Grounding System		Negative ground	
Allowable Operating Temperature		0°C to +40°C	
Dimensions (W × H × D)	Installation Size (approx.)	182 mm × 52 mm × 158 mm	
	Panel Size (approx.)	188 mm × 58 mm × 12 mm	
Mass (approx.)		1.6 kg (excluding accessories)	


Design and specifications are subject to change without notice.



# SECTION 1 PRECAUTION

## 1.1 Safety Precautions

 **CAUTION** Burrs formed during molding may be left over on some parts of the chassis. Therefore, pay attention to such burrs in the case of performing repair of this system.

 **CAUTION** Please use enough caution not to see the beam directly or touch it in case of an adjustment or operation check.

## 1.2 Preventing static electricity

Electrostatic discharge (ESD), which occurs when static electricity stored in the body, fabric, etc. is discharged, can destroy the laser diode in the traverse unit (optical pickup). Take care to prevent this when performing repairs.

### 1.2.1 Grounding to prevent damage by static electricity

Static electricity in the work area can destroy the optical pickup (laser diode) in devices such as laser products.

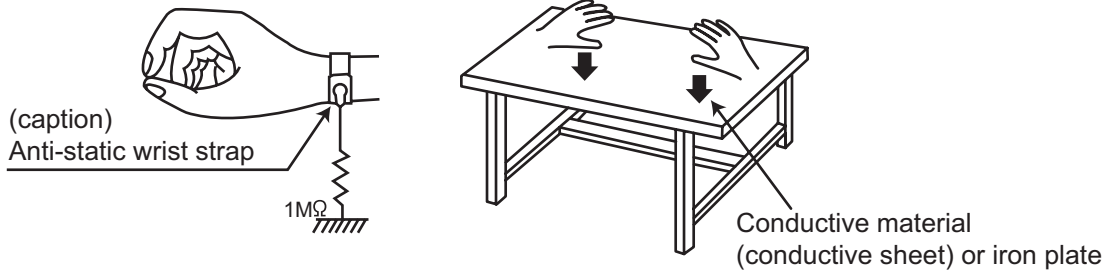
Be careful to use proper grounding in the area where repairs are being performed.

(1) Ground the workbench

Ground the workbench by laying conductive material (such as a conductive sheet) or an iron plate over it before placing the traverse unit (optical pickup) on it.

(2) Ground yourself

Use an anti-static wrist strap to release any static electricity built up in your body.



(3) Handling the optical pickup

- In order to maintain quality during transport and before installation, both sides of the laser diode on the replacement optical pickup are shorted. After replacement, return the shorted parts to their original condition. (Refer to the text.)
- Do not use a tester to check the condition of the laser diode in the optical pickup. The tester's internal power source can easily destroy the laser diode.

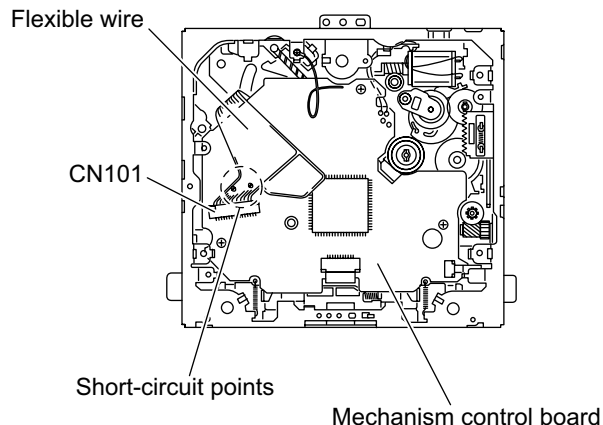
## 1.3 Handling the traverse unit (optical pickup)

- (1) Do not subject the traverse unit (optical pickup) to strong shocks, as it is a sensitive, complex unit.
- (2) Cut off the shorted part of the flexible cable using nippers, etc. after replacing the optical pickup. For specific details, refer to the replacement procedure in the text. Remove the anti-static pin when replacing the traverse unit. Be careful not to take too long a time when attaching it to the connector.
- (3) Handle the flexible cable carefully as it may break when subjected to strong force.
- (4) It is not possible to adjust the semi-fixed resistor that adjusts the laser power. Do not turn it.

## 1.4 Attention when traverse unit is decomposed

**\*Please refer to "Disassembly method" in the text for the pickup unit.**

- Apply solder to the short land before the card wire is disconnected from the connector on the pickup unit. (If the card wire is disconnected without applying solder, the pickup may be destroyed by static electricity.)
- In the assembly, be sure to remove solder from the short land after connecting the card wire.



## 1.5 Important for laser products

### 1. CLASS 1 LASER PRODUCT

#### 2. CAUTION :

(For U.S.A.) Visible and/or invisible class II laser radiation when open. Do not stare into beam.

(Others) Visible and/or invisible class 1M laser radiation when open. Do not view directly with optical instruments.

**3. CAUTION :** Visible and/or invisible laser radiation when open and inter lock failed or defeated. Avoid direct exposure to beam.

**4. CAUTION :** This laser product uses visible and/or invisible laser radiation and is equipped with safety switches which prevent emission of radiation when the drawer is open and the safety interlocks have failed or are defeated. It is dangerous to defeat the safety switches.

(For U.S.A.)

**CAUTION :** Visible and/or invisible class II laser radiation when open. Do not stare into beam.

(Others)

**CAUTION :** Visible and/or invisible class 1M laser radiation when open. Do not view directly with optical instruments

**ACHTUNG:** Sichtbare und/oder unsichtbare Laserstrahlung der Klasse 1M bei offenen Abdeckungen. Nicht direkt mit optischen Instrumenten betrachten.

**ATTENTION:** Rayonnement laser visible et/ou invisible de classe 1M une fois ouvert. Ne pas regarder directement avec des instruments optiques.

**VOORZICHTIG:** Zichtbare en/of onzichtbare klasse 1M laserstralen indien geopend. Bekijk niet direct met optische instrumenten.

**ATTENZIONE:** Radiazione laser in classe 1M visibile e/o invisibile quando aperto. Non osservare direttamente con strumenti ottici.

**WARNING:** Synlig och/eller osynlig laserstrålning, klass 1M, när denna del är öppnad. Betrakta ej strålen med optiska instrument.

**VARO!** Avattaessa olet alttiina näkyvälle ja/tai näkymättömälle luokan 1M lasersäteilylle. Älä tarkastele sitä optisen laitteen läpi.

**ADVARSEL:** Synlig og/eller usynlig klasse 1M-laserstråling ved åbning. Se ikke direkte med optiske instrumenter.

**AVISO:** Radiación láser de clase 1M visible y/o invisible cuando está abierto. No mirar directamente con instrumental óptico.

**PRECAUÇÃO:** Radiação laser de classe 1M visível e/ou invisível quando aberto. Não olhe diretamente com instrumentos ópticos.

**5. CAUTION :** If safety switches malfunction, the laser is able to function.

**6. CAUTION :** Use of controls, adjustments or performance of procedures other than those specified here in may result in hazardous radiation exposure.



**CAUTION** Please use enough caution not to see the beam directly or touch it in case of an adjustment or operation check.

**PRECAUÇÃO:** Radiação laser de classe 1M visível e/ou invisível quando aberto. Não olhe diretamente com instrumentos ópticos.

**ПРЕДУПРЕЖДЕНИЕ:** В открытом состоянии происходит видимое и/или невидимое излучение лазера класса 1M. Не смотрите непосредственно в оптические инструменты.

**UWAGA:** Otwarcie spowoduje narażenie na widzialne i/lub niewidzialne promieniowanie lasera klasy 1M. Nie patrzeć bezpośrednio w przyrządy optyczne.

**UPOZORNĚNÍ:** Při otevření vydává viditelné popř. neviditelné laserové ozáření třídy 1M. Nedívejte se do otvoru přímo s optickými nástroji.

**FIGYELMEZTETÉS:** Látható és/vagy láthatatlan 1M osztályú sugárzás nyitott állapotban. Ne nézze közvetlenül optikai műszerekkel.

注意：打開蓋板可能會產生可見或不可見的 1M 級鐳射。不要使用光學儀器直接進行窺視。

注意：打开盖板可能会产生可见或不可见的 1M 级鐳射。不要使用光学仪器直接进行窺視。

**تنبيه:** يوجد إشعاع ليزري مرئي و/أو غير مرئي من الفئة 1M عندما يكون الجهاز مفتوحاً. تجنب النظر مباشرة داخل الجهاز باستخدام أدوات بصرية.

احتياط: هنگامی که باز گردد، تشعشع مرئی و یا نامرئی کلاس 1M لیزر وجود دارد. با لوازم چشمی مستقیماً به آن نگاه نکنید.

**주의:** 개방하면 가지 및/또는 비가시 클래스 1M 레이저 방사선이 나옵니다. 광학 기구로 직접 들여다보지 마십시오.

## REPRODUCTION AND POSITION OF LABELS and PRINT WARNING LABEL and PRINT



<b>CAUTION</b> VISIBLE AND/OR INVISIBLE CLASS 1M LASER RADIATION WHEN OPEN. DO NOT VIEW DIRECTLY WITH OPTICAL INSTRUMENTS. IEC30825-1:2001 (ENG)	<b>ATTENTION</b> RAYONNEMENT LASER VISIBLE ET/OU INVISIBLE DE CLASSE 1M UNE FOIS OUVERT. NE PAS REGARDER DIRECTEMENT AVEC DES INSTRUMENTS OPTIQUES. (FRA)	<b>AVISO</b> RADIACIÓN LÁSER DE CLASE 1M VISIBLE Y/O INVISIBLE CUANDO ESTA ABIERTO. NO MIRAR DIRECTAMENTE CON INSTRUMENTAL ÓPTICO. (ESP)	<b>WARNING</b> SYNLIG OCH/ELLER OSYNLIG LASERSTRÅLNING, KLASS 1M, NÄR DENNA DEL ÄR ÖPPNAD. BETRAKTA EJ STRÅLEN MED OPTISKA INSTRUMENT. (SWE)	<b>注意</b> ここを覗くと可視 及び/または不可視 のクラス1M レーザー放射が 出ます。 光学装置で直接 覗かないでください。 (JPN)	<b>CAUTION</b> VISIBLE AND/OR INVISIBLE CLASS I LASER RADIATION WHEN OPEN. DO NOT STARE INTO BEAM. FDA 21 CFR (ENG) LV44803-003A
--	--	---	---	---	--

**SECTION 2**  
**SPECIFIC SERVICE INSTRUCTIONS**

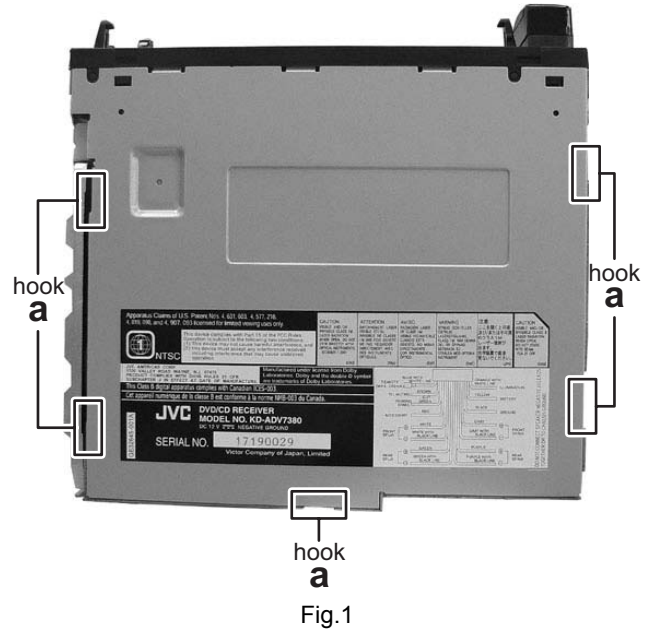
This service manual does not describe SPECIFIC SERVICE INSTRUCTIONS.

## SECTION 3 DISASSEMBLY

### 3.1 Main body

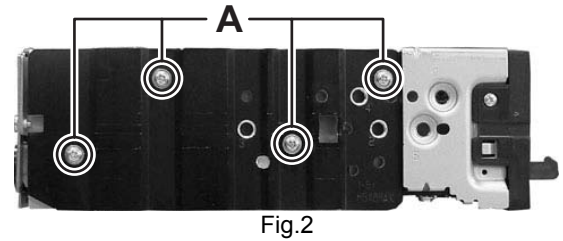
#### 3.1.1 Removing the BOTTOM CHASSIS (See Fig.1)

- (1) Disengage the five hooks **a** engaged BOTTOM CHASSIS.



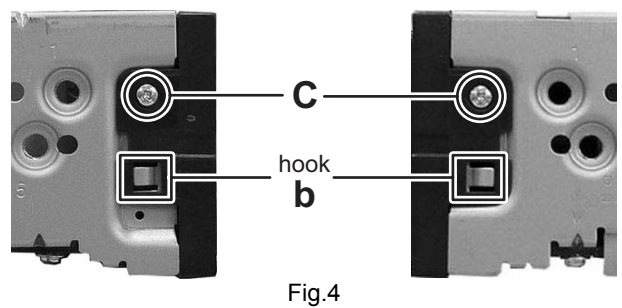
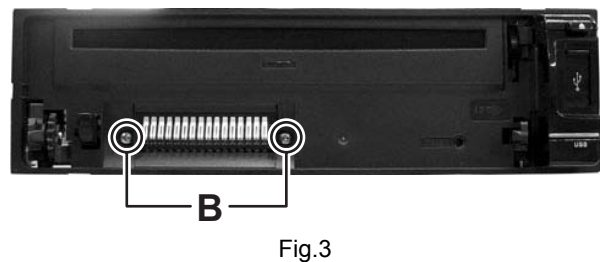
#### 3.1.2 Removing the HEAT SINK (See Fig.2)

- (1) Remove the four screws **A** attaching the HEAT SINK.



#### 3.1.3 Removing the FRONT CHASSIS (See Fig.3, 4)

- (1) Remove the two screws **B** attaching the FRONT CHASSIS. (See Fig.3)
- (2) Remove the two screws **C** attaching the both side of FRONT CHASSIS. (See Fig.4)
- (3) Disengage the two hooks **b** engaged both side of the FRONT CHASSIS. (See Fig.4)



### 3.1.4 Removing the MAIN BOARD assembly (See Fig.5, 6)

- (1) Remove the three screws **D** attaching the REAR BRACKET. (See Fig.5)
- (2) Remove the three screws **E** attaching the MAIN BOARD assembly. (See Fig.6)
- (3) Disconnect the connector [CN501](#) connected MAIN BOARD assembly and DVD mechanism assembly. (See Fig.6)

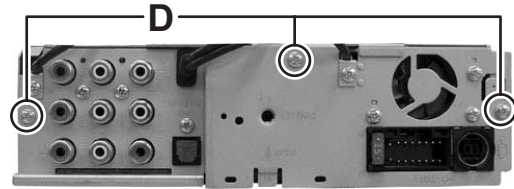


Fig.5

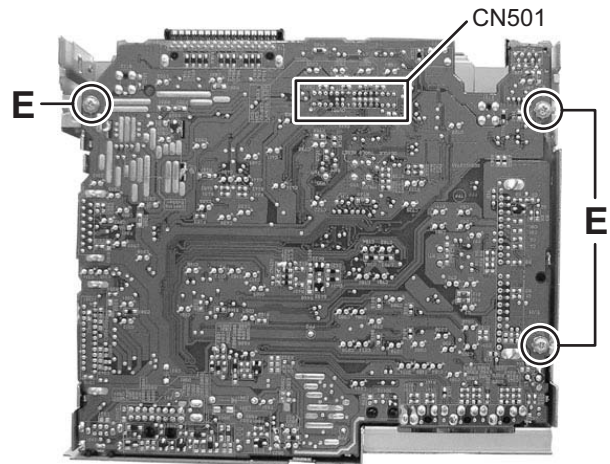


Fig.6

### 3.1.5 Removing the DVD mechanism assembly (See Fig.7)

- (1) Remove the three screws **F** attaching the DVD mechanism assembly.

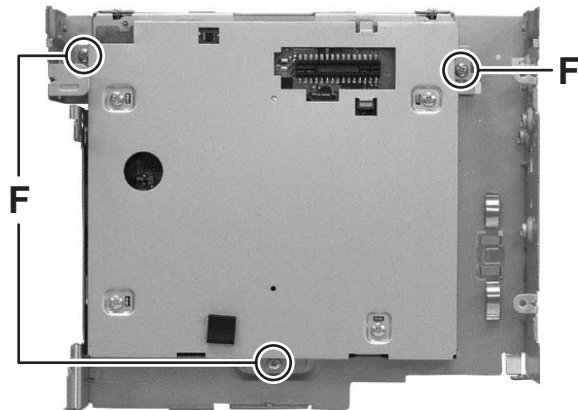


Fig.7

### 3.1.6 Removing the REAR COVER (See Fig.8, 9)

- (1) Remove the VOLUME KNOB.
- (2) Remove the one screw **G** attaching the REAR COVER.  
(See Fig.8)
- (3) Remove the four screws **H** attaching the REAR COVER.  
(See Fig.9)
- (4) Disengage nine hooks **c** engaged REAR COVER. (See Fig.9)

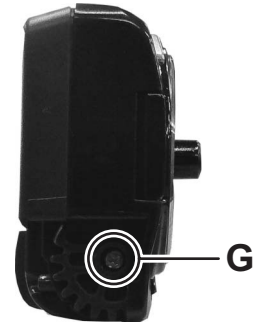


Fig.8

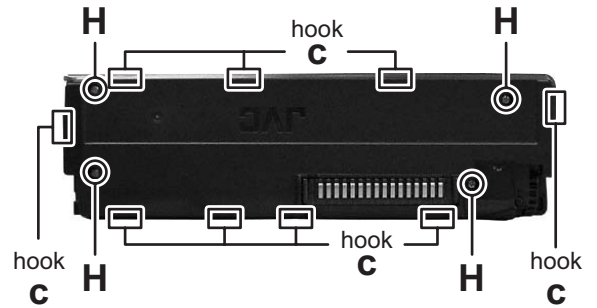


Fig.9

## 3.2 DVD mechanism assembly

### 3.2.1 Removing the mechanism control board (See Fig.1)

#### Caution:

Before disconnecting the flexible wire extending from the DVD pickup, solder the short-circuit point on the flexible wire using a grounding soldering iron. If you do not follow this instruction, the DVD pickup may be damaged.

- (1) Turn over the body, and solder the short-circuit points on the flexible wire extending from the DVD pickup.
- (2) Disconnect the flexible wire from connector [CN101](#) on the mechanism control board.
- (3) Disconnect the card wire from connector [CN201](#) on the mechanism control board.
- (4) Disconnect the flexible wire from connector [CN202](#) on the mechanism control board.
- (5) Unsolder two soldered points **a** on the mechanism control board and remove the wire extending from the feed motor.
- (6) Remove the screw **A** attaching the lug wire.
- (7) Remove the two screws **B** and screw **C** attaching the mechanism control board.

#### Caution:

- As the flexible wire to be connected to [CN101](#), make sure to attach it to the mechanism control board using a double tape.
- After reassembling, unsolder the short-circuit points.

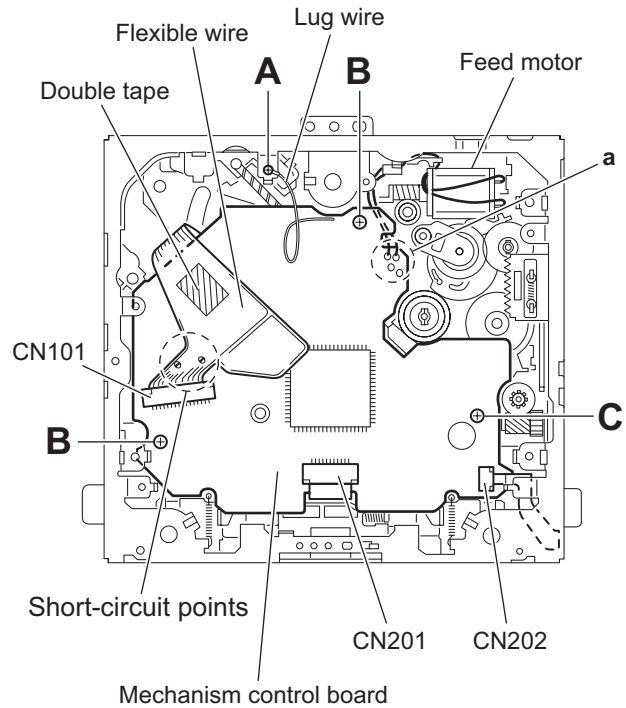


Fig.1



### 3.2.2 Removing the top cover

(See Fig.2)

- (1) Remove the two screws **D** attaching the top cover on the back of the body.
- (2) Remove the top cover upward.

#### Reference:

When reassembling, set part **b** of the top cover under the bending part **c** of the chassis frame.

### 3.2.3 Removing the mechanism section

(See Fig.2 to 4)

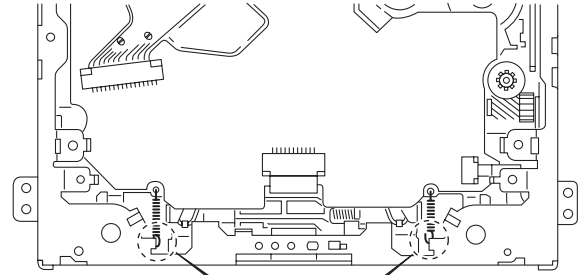
- Remove the top cover.
  - (1) From the bottom of the body, remove the screw **E** attaching the lug wire. (See Fig.2.)
  - (2) Remove the two screws **F** attaching the right and left stoppers on the front side. (See Fig.2.)
  - (3) Remove the two floating springs on the bottom of the body. (See Fig.3.)
  - (4) Move the mechanism section upward and remove from the chassis frame.
 

The three damper springs come off from the dampers.

 (See Fig.4.)

#### Caution:

- When reassembling, reattach the damper spring to the damper respectively and insert the three shafts on the bottom of the mechanism to the dampers.
- Before inserting the shaft to the dampers, apply IPA to the hole of damper.



Floating spring

Fig.3

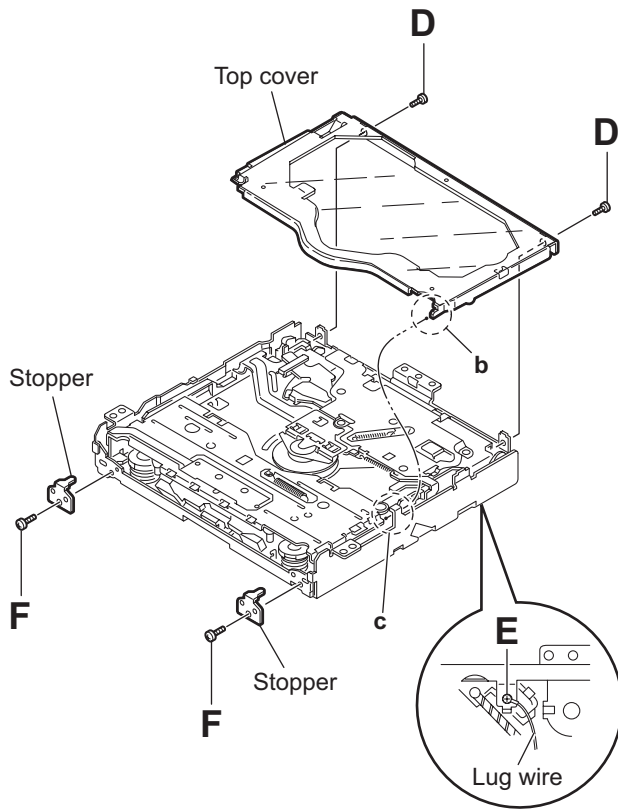


Fig.2

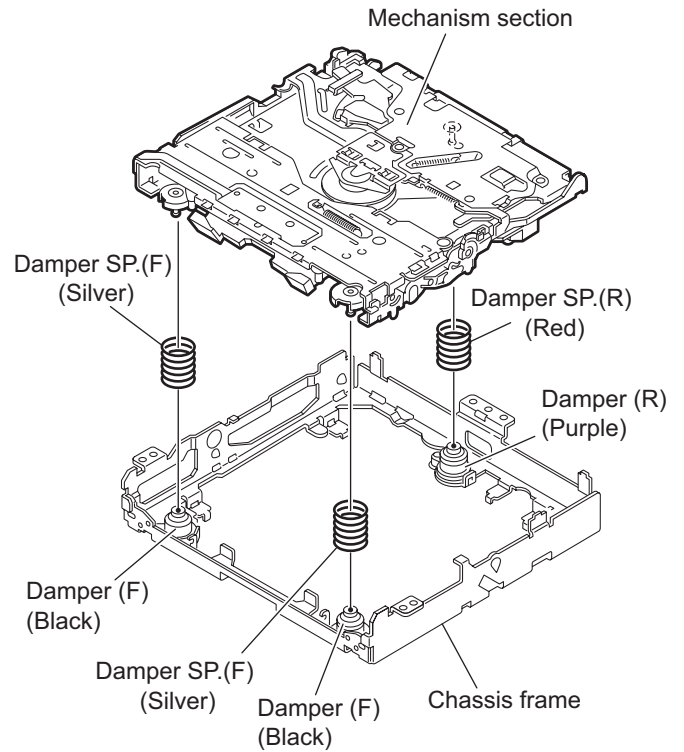


Fig.4

### 3.2.4 Removing the clamper unit (See Fig.5 to 7)

- Remove the top cover and the mechanism section.
  - Remove the clamper2 spring on the bottom of the mechanism section. (See Figs.5.and 6.)
  - Release the part **d** of the clamper spring from the bending part of the chassis base assembly. (See Fig.7.)
  - Move the clamper unit in the direction of the arrow and turn. Release the two joints **e** and **f**, then remove the clamper unit upward. (See Fig.6.)

### 3.2.5 Reattaching the clamper unit (See Fig.5 to 9)

- Attach the clamper spring to the clamper unit. (See Fig.8.)
- Move the clamper unit to set the side joints **e** and **f** to each boss of the chassis base assembly. Make sure that part **g** is inserted to the notch of the chassis base assembly. (See Figs.5 and 9.)
- Move the part **d** of the clamper spring to the outside of the bending part of the chassis base assembly. (See Fig.7.)
- Attach the clamper2 spring to the chassis base assembly. (See Figs.5 and 6.)

**Caution:**

When reattaching, temporarily hook the end of the clamper spring as shown in the figure to make the work easy. (See Fig.8.)

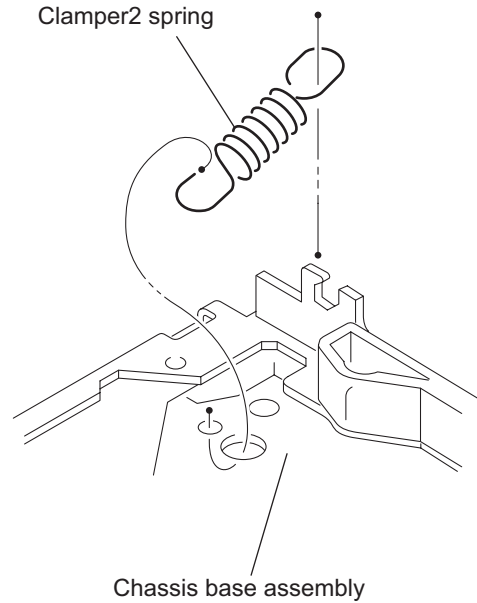


Fig.6

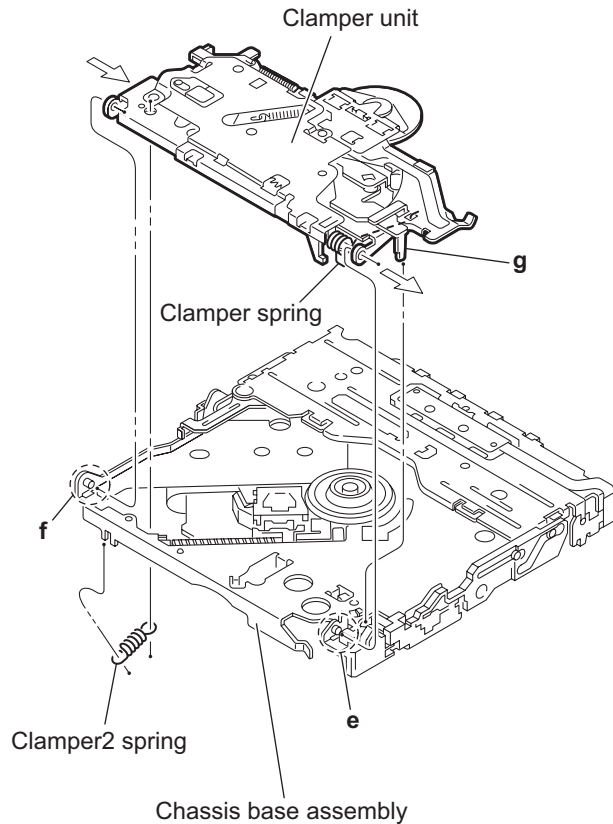


Fig.5

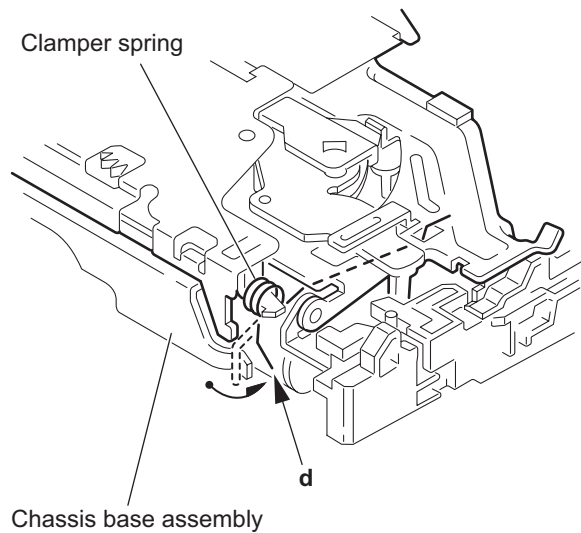


Fig.7

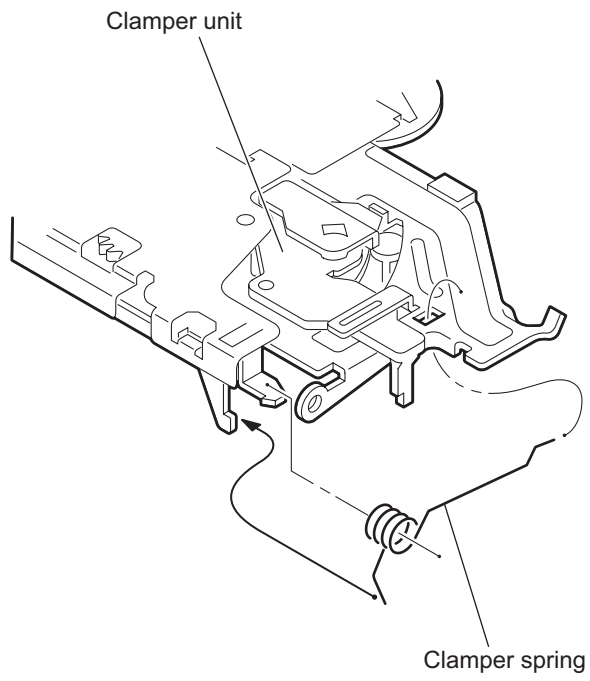


Fig.8

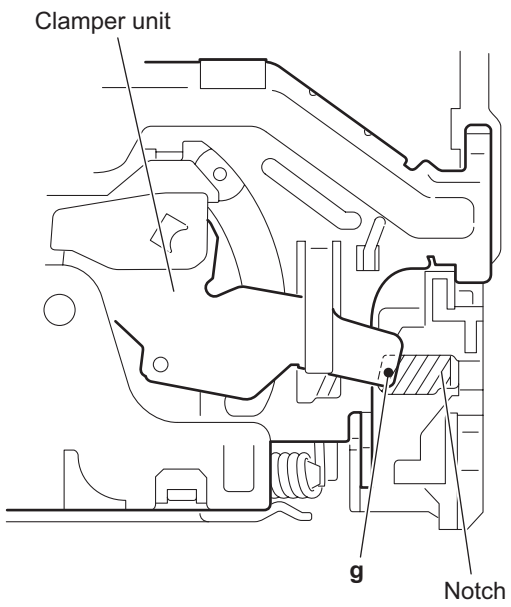


Fig.9

### 3.2.6 Removing the front unit (See Fig.10 to 12)

- Remove the top cover and the mechanism section.
  - (1) Disconnect the flexible wire from connector **CN202** on the mechanism control board at the bottom of the body. (See Fig.10.)
  - (2) Remove the screw **G** attaching the front unit on the top of the body. (See Fig.11.)
  - (3) Move the front unit toward the front to release joint **h**, and release two joints **i** and **j** on the right side of the chassis base assembly. Then remove the front unit upward. (See Figs.11 and 12.)
  - (4) Remove the two screws **H** attaching the switch board. (See Fig.12.)

#### Reference:

You can remove the switch board only without removing the front unit.

#### Caution:

When reassembling, attach the flexible wire extending from the switch board using the double tape. (See Figs.10 and 12.)

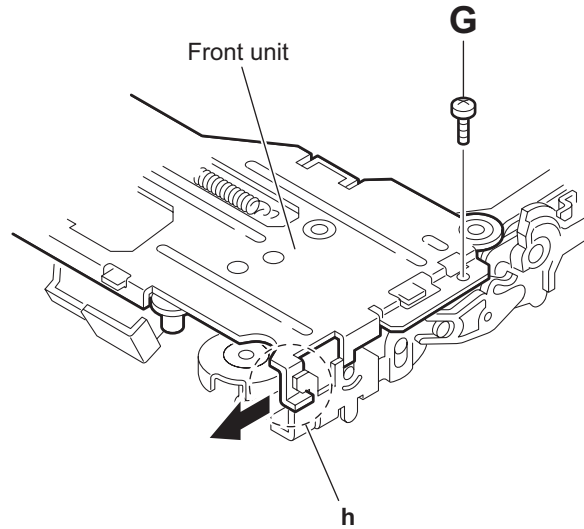


Fig.11

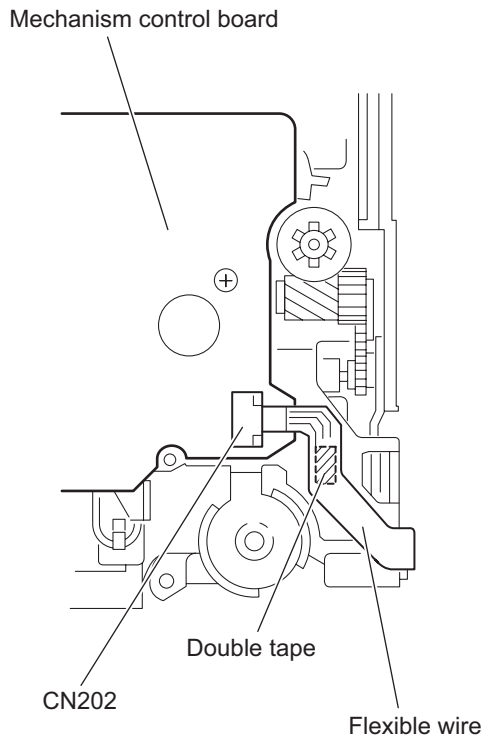


Fig.10

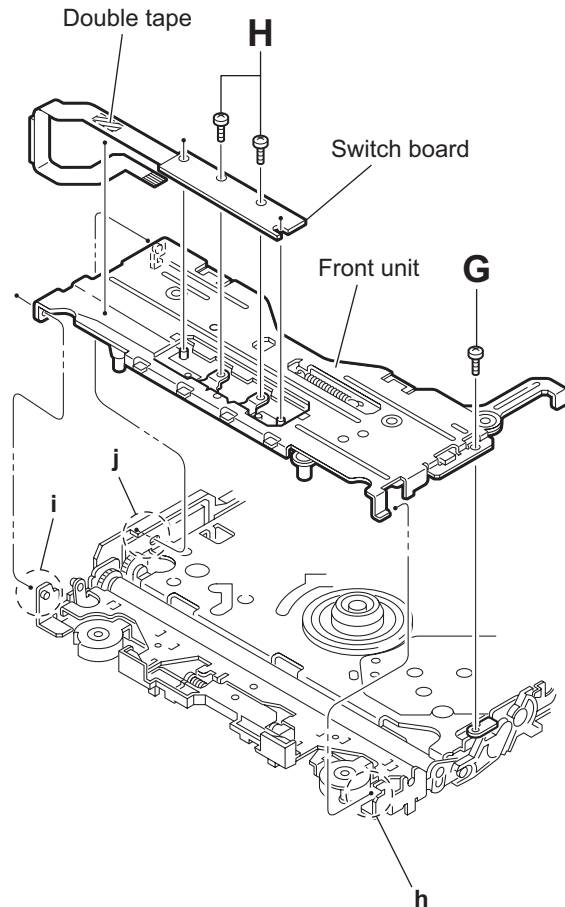


Fig.12

### 3.2.7 Removing the loading arm assembly (See Fig.13 , 14)

- Remove the top cover, the mechanism section and the front unit.
  - From the top of the body, move the loading arm assembly from the front side upward, and release the bosses from the right and left joints **k** and **m** of the chassis base assembly.
  - Release the boss from notch **n** of the connect arm on the right side of the body, and release the boss from notch **p** of the slide cam assembly on the left side.

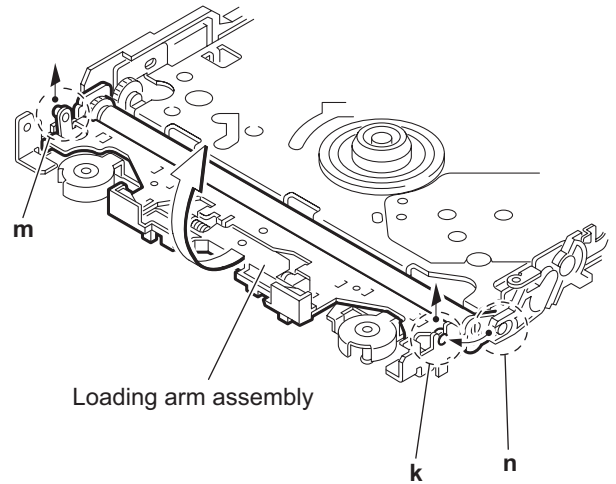


Fig.13

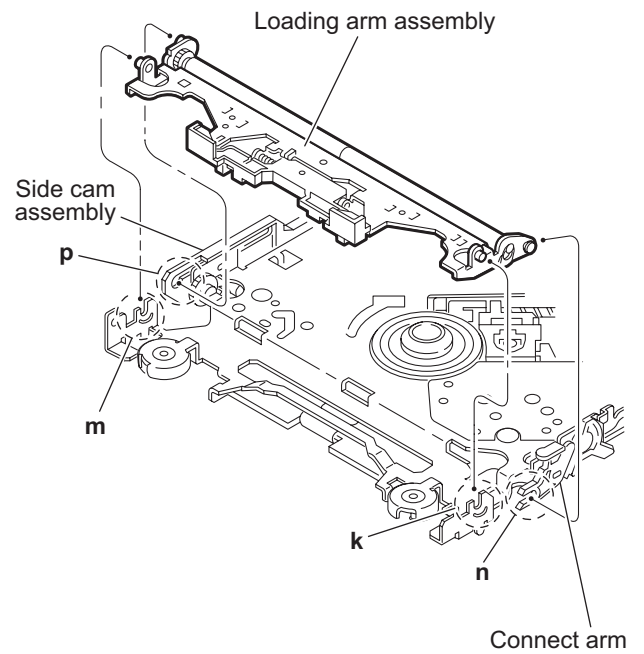


Fig.14

### 3.2.8 Removing the rod (L)(R)/roller assembly (See Fig.15 and 16)

- Remove the top cover, the mechanism section, the front unit and the loading arm assembly.
  - Release the rod (L) and (R) from the joints **q** at the bottom of the loading arm assembly (See Fig.15.)
  - Remove the roller assembly from the loading arm assembly. (See Fig.16.)
  - Remove the two collars and washer from the roller assembly. (See Fig.16.)

**Caution:**

After attaching the loading arm assembly to the roller assembly, attach the rod (L) and (R). Attach the rods to the right and left collars of the roller. (See Fig.15.)  
When reattaching the rod (L) and (R) to the loading arm assembly, engage each joint as shown in Fig.15. As joints **q** of the rod (L), let the rod through **q** before reattaching it.

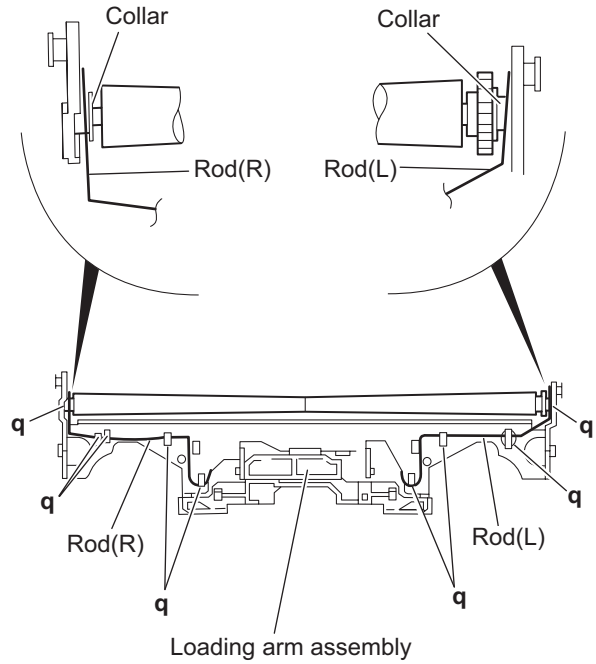


Fig.15

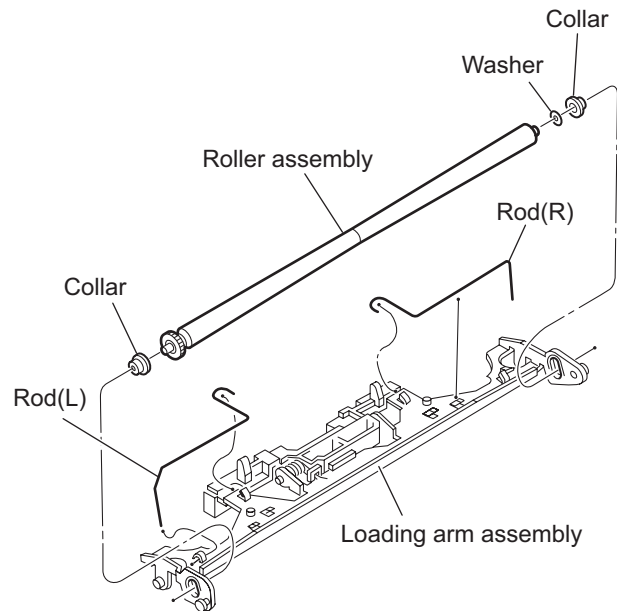


Fig.16

**3.2.9 Removing the DVD pickup assembly**  
(See Fig.17 to 19)

- Remove the mechanism control board.
- (1) From the bottom of the body, turn the feed gear in the direction of the arrow to move the DVD pickup outwards. (See Fig.17.)
- (2) Remove the screw **J** attaching the thrust spring. (See Fig.17.)
- (3) Remove the DVD pickup assembly upward on the L.S.gear side and release from sub shaft at joint **r**. Move the lead screw of the DVD pickup assembly in the direction of the arrow to release from joint **s**. (See Fig.18.)

**Caution:**

- When releasing the lead screw at joint **s**, the L.S.collar comes off at the end of the lead screw. When reassembling, reattach the L.S.collar to the lead screw and engage joint **s**. (See Fig.18.)
  - When reattaching the L.S.collar, reattach it to the point **s** of the lead screw, and to the rod (M). Make sure that the L.S.collar is set on the rod (M) spring. (See Fig.18.)
- (4) Remove the screw **K** attaching the rack spring/ rack plate on the DVD pickup. (See Fig.19.)
  - (5) Pull out the lead screw. (See Fig.19.)

**Caution:**

Perform adjustment after replacing the pickup.

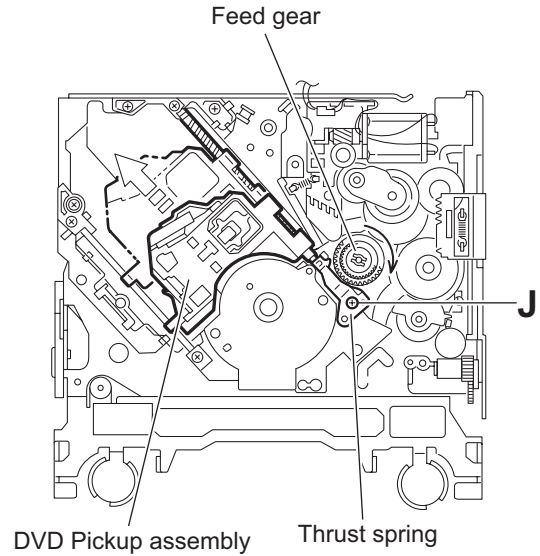


Fig.17

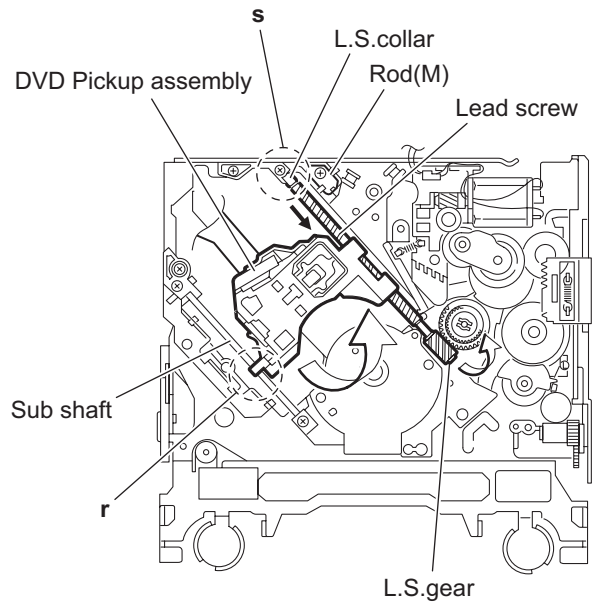


Fig.18

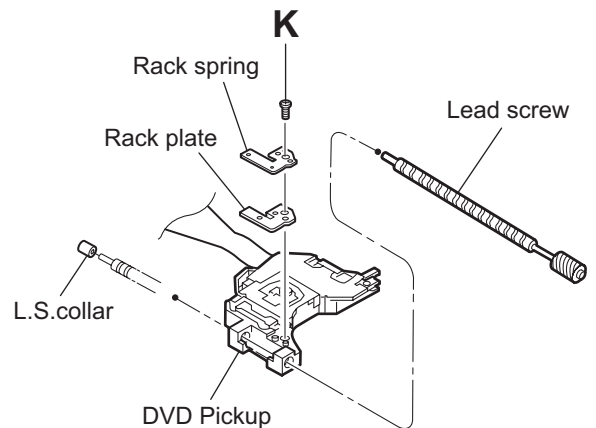


Fig.19

### 3.2.10 Removing the spindle motor (See Fig.20)

- Remove the mechanism control board.  
Remove the two screws **L** attaching the spindle motor on the bottom of the body.

#### Caution:

Perform adjustment when reattaching the spindle motor.

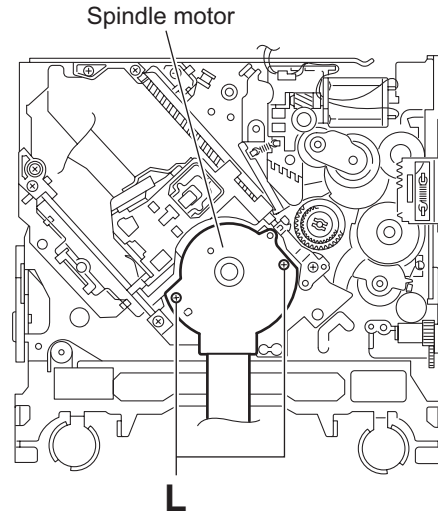


Fig.20

### 3.2.11 Removing the feed motor assembly (See Fig.21 and 22)

- Remove the mechanism control board.
  - Remove the feed TRI. spring on the bottom of the body.  
(See Fig.21.)
  - Remove the two screws **M** attaching the feed motor assembly. (See Fig.21.)
  - Remove the slit washer from the motor H. assembly and pull out the worm wheel. (See Fig.22.)

Remove the two screws **N** attaching the feed motor. (See Fig.22.)

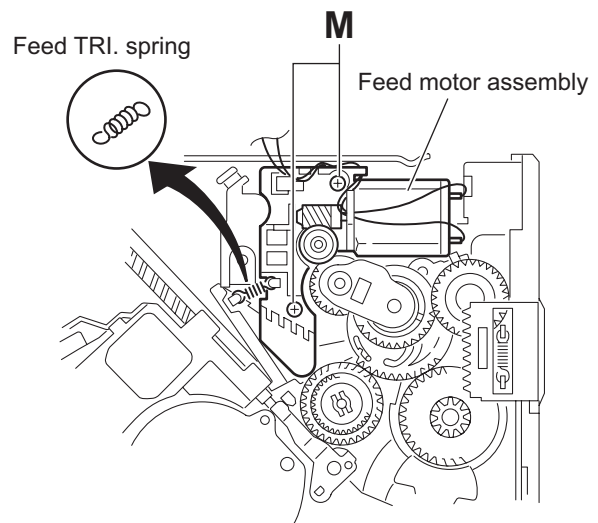


Fig.21

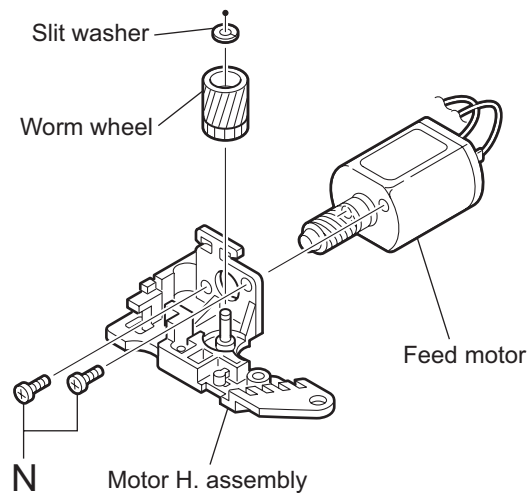


Fig.22



## SECTION 4 ADJUSTMENT

### 4.1 Test instruments required for adjustment

- (1) Digital oscilloscope (100MHz)
- (2) Jitter meter
- (3) Digital tester
- (4) Electric voltmeter
- (5) Tracking offset meter
- (6) Test Disc : VT501 or VT502
- (7) Extension studs : STDV001-3P
- (8) Extension cable : EXTDV002-30P

### 4.3 Connection method

#### Connection procedure

- (1) Attach the front chassis assembly to the main board.
- (2) Connect the front panel assembly to the main board.
- (3) Attach the heat sink and rear bracket to the main board.
- (4) Attach the extension studs to the DVD mechanism assembly.
- (5) Connect the DVD mechanism assembly and the main board with a extension cable.

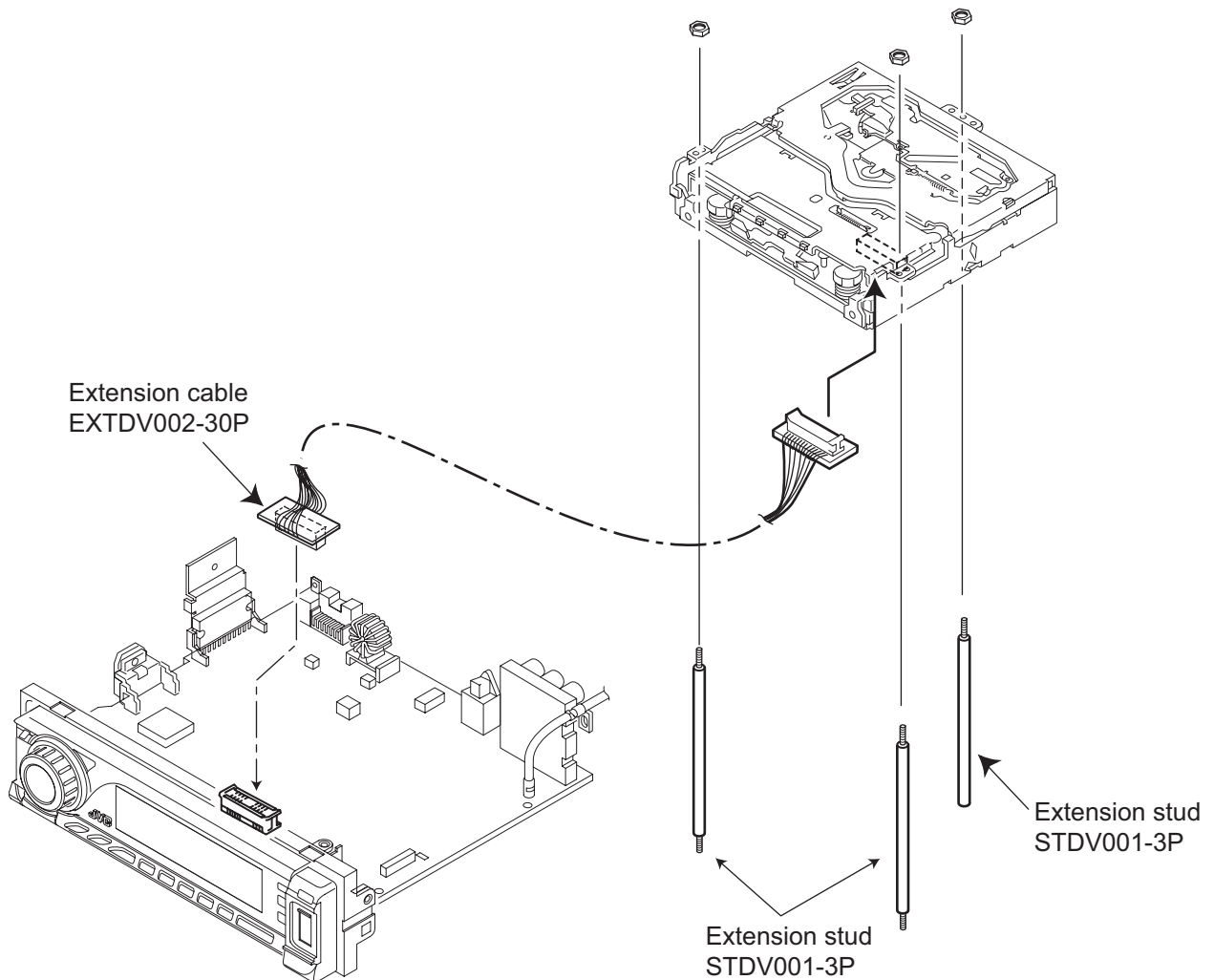
### 4.2 Standard measuring conditions

Power supply voltage : DC14.4V(11V to 16V)  
Load impedance : 4  $\Omega$  (2 Speakers connection)  
Line output : 20k  $\Omega$

#### Caution:

Be sure to attach the heat sink and rear bracket onto the power amplifier IC and regulator IC respectively, before supply the power.

If voltage is applied without attaching these parts, the power amplifier IC and regulator IC will be destroyed by heat.



#### 4.4 Adjustment method for jitter

After replacing the pickup, set the unit in the service mode to display a jitter value on the LCD.

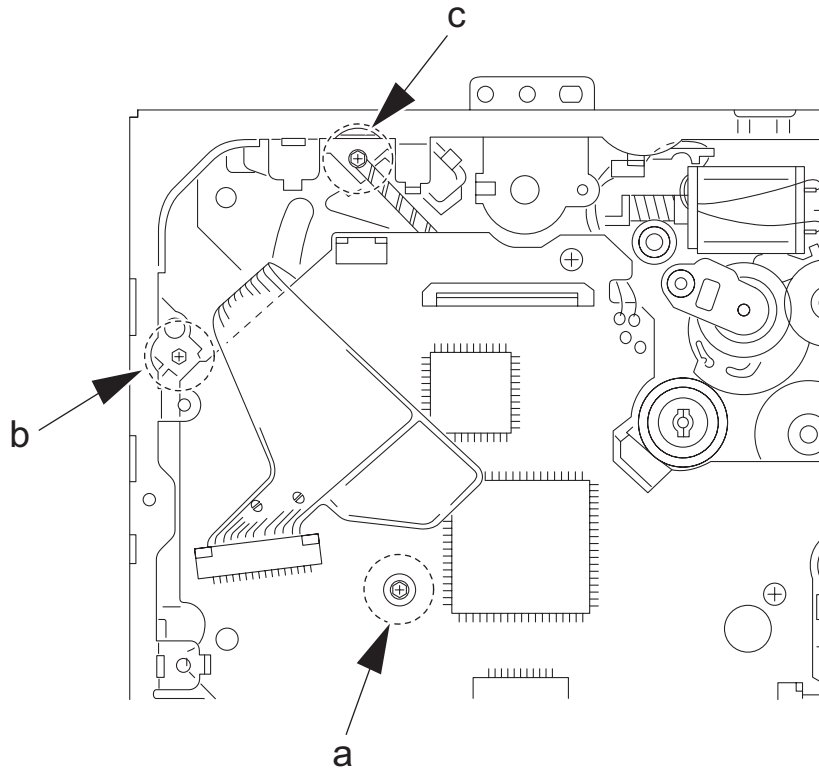
Confirm that the jitter value measured with a jitter meter is within 12% of the jitter value displayed on the LCD.

If it is within 12%, then adjustment is not necessary.

If the measured jitter value is outside the 12% tolerance range, perform the following adjustments.

##### 4.4.1 Adjustment procedure

- (1) Set the unit to the service mode and display a jitter value (hex data) on the LCD.
- (2) Turn each of the screws a, b and c, by a half-turn per step, in the direction that reduces the jitter value in order to minimize it.  
(Do not turn a screw more than a half turn at a time, but adjust the screws in the cycle of the same level is turned in the pair of b+c and the same level is turned in the pair of a+b.)
- (3) After completing the adjustment, secure the screws with screw lock paint.



Jitter value adjustment procedure (Pickup horizontal level adjustment relative to the DVD recording surface)

(For the adjustment tool use a 3 mm wrench and not a screwdriver, this procedure will make the adjustment easier.)

3 mm wrench



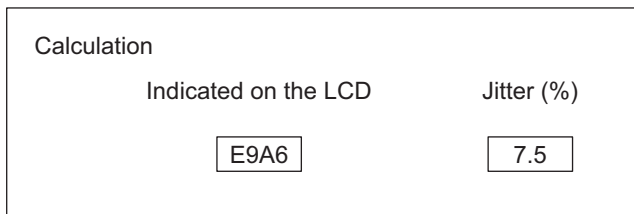
- (1) Set the unit to the service mode and display a jitter value (hex data) on the LCD.
- (2) Turn each of the screws a, b and c, by a half-turn per step, in the direction that reduces the jitter value in order to minimize it.  
(Do not turn a screw more than a half turn at a time, but adjust the screw in the cycle of same level turn by pair of b+c → pair of a+b.)
- (3) After completing the adjustment, secure the screws with screw lock paint.

#### 4.5 Jitter value conversion table

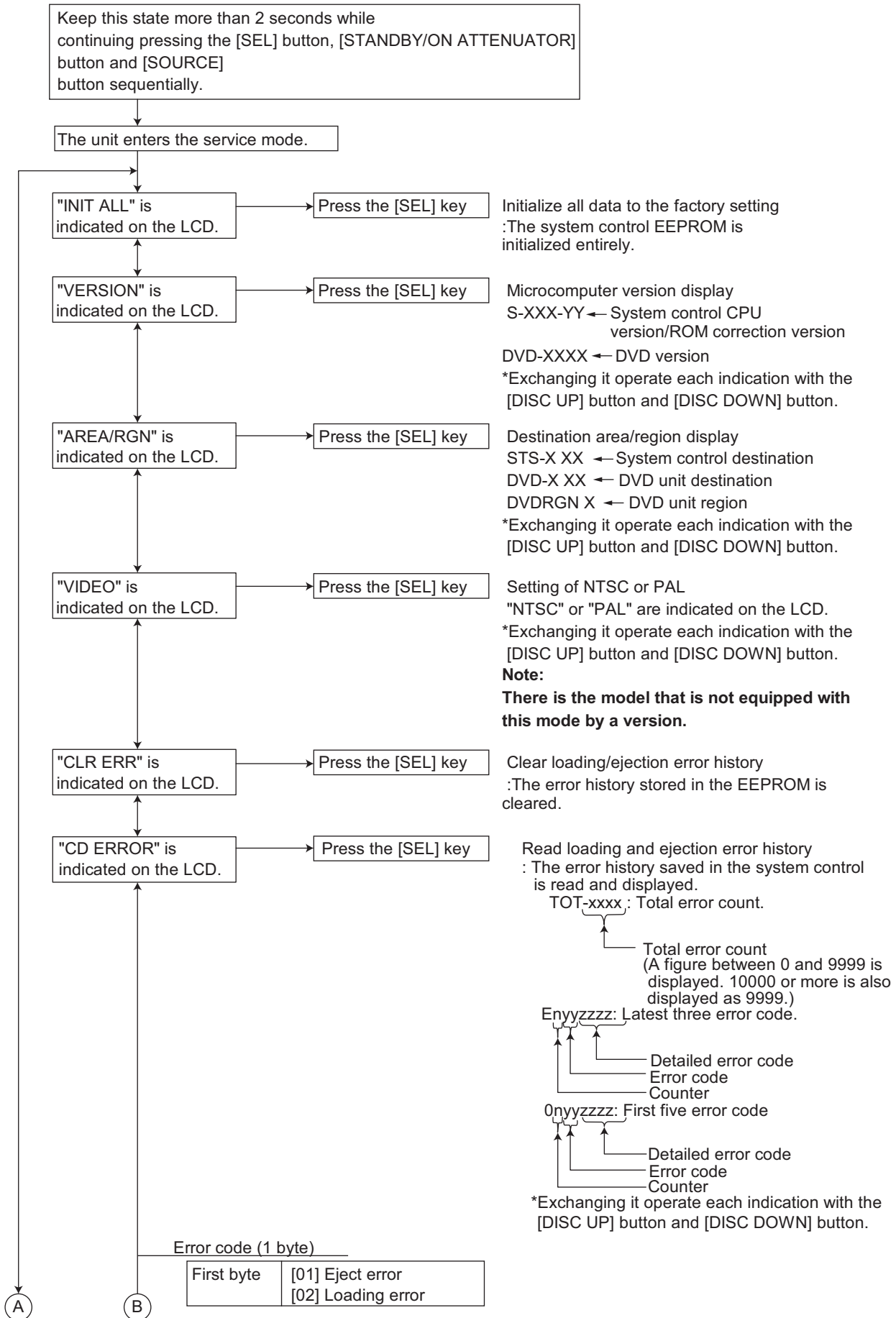
Load the test DVD and set the unit to the service mode. A jitter value converted to the hex value is displayed on the LCD. Refer to the corresponding decimal notation value shown in the following Jitter Conversion Table.

The adjustment is OK if the jitter value measured with a jitter meter is within 12% of the jitter value displayed on the LCD. If the measured jitter value is outside the 12% tolerance range, adjust it to minimize the difference between the measured value and the displayed value.

Indicated on the LCD	Jitter value (%)	Indicated on the LCD	Jitter value (%)	Indicated on the LCD	Jitter value (%)
EF56	4.7	E79E	8.5	DFE6	12.3
EF22	4.8	E76A	8.6	DFB2	12.4
EEEE	4.9	E736	8.7	DF7E	12.5
EEBA	5.0	E702	8.8	DF4A	12.6
EE86	5.1	E6CE	8.9	DF16	12.7
EE52	5.2	E69A	9.0	DEE2	12.8
EE1E	5.3	E666	9.1	DEAE	12.9
EDEA	5.4	E632	9.2	DE7A	13.0
EDB6	5.5	E5FE	9.3	DE46	13.1
ED82	5.6	E5CA	9.4	DE12	13.2
ED4E	5.7	E596	9.5	DDDE	13.3
ED1A	5.8	E562	9.6	DDAA	13.4
ECE6	5.9	E52E	9.7	DD76	13.5
ECB2	6.0	E4FA	9.8	DD42	13.6
EC7E	6.1	E4C6	9.9	DD0E	13.7
EC4A	6.2	E492	10.0	DCDA	13.8
EC16	6.3	E45E	10.1	DCA6	13.9
EBE2	6.4	E42A	10.2	DC72	14.0
EBAE	6.5	E3F6	10.3	DC3E	14.1
EB7A	6.6	E3C2	10.4	DC0A	14.2
EB46	6.7	E38E	10.5	DBD6	14.3
EB12	6.8	E35A	10.6	DBA2	14.4
EADE	6.9	E326	10.7	DB6E	14.5
EAAA	7.0	E2F2	10.8	DB3A	14.6
EA76	7.1	E2BE	10.9	DB06	14.7
EA42	7.2	E28A	11.0	DAD2	14.8
EA0E	7.3	E256	11.1	DA9E	14.9
E9DA	7.4	E222	11.2	DA6A	15.0
E9A6	7.5	E1EE	11.3	DA36	15.1
E972	7.6	E1BA	11.4	DA02	15.2
E93E	7.7	E186	11.5	D9CE	15.3
E90A	7.8	E152	11.6	D99A	15.4
E8D6	7.9	E11E	11.7	D966	15.5
E8A2	8.0	E0EA	11.8	D932	15.6
E86E	8.1	E0B6	11.9	D8FE	15.7
E83A	8.2	E082	12.0	D8CA	15.8
E806	8.3	E04E	12.1	D896	15.9
E7D2	8.4	E01A	12.2	D862	16.0



## 4.6 Operation procedures



A

B

Detailed error code (2 bytes)

\*Displayed with loading/ejection error only.

First byte	Higher 4 bits	.....	Route NO. (Process of error occurrence) → Refer to charts 1.1 and 1.2.
	Lower 4 bits	.....	Error type [1] Time out [2] Switch status error [3] Swinging error
Second byte	bit7	.....	Disc type (0: 12 cm. 1: 8 cm)
	bit6,5	.....	Fixed at 0
	bit4	.....	SW 1 status
	bit3	.....	SW 2 status
	bit2	.....	SW 3 status
	bit1	.....	SW 1 status
	bit0	.....	RESET SW status

(Example) When a switch status error occurs during loading route 3 and the switch status is L/L/H/H/H (00111B = 07H), the error code and detailed error code become: [09 3207].

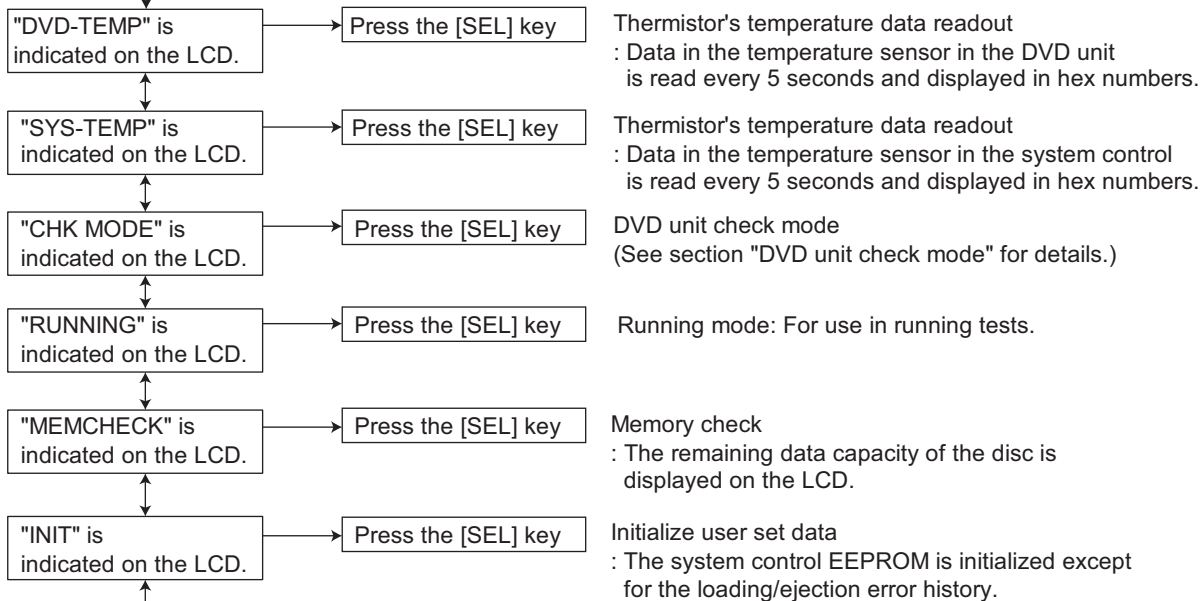
Route No.(EJECT route No.)	SW1/2/3/4	[Rest SW]	Loading	Eject	Reload	
-	1,1,1,1	[0]	No Disc	No Disc	Disc push in	
1(2)	0,1,1,1	[0]	↓	↑ Eject completion		↙
1(2)	0,0,1,1	[0]		↘	Reload start	
2(2)	0,0,0,1	[0]		↓		↑
2(2)	0,0,1,1	[0]				
2(2)	0,1,1,1	[0]				
2(2)	1,1,1,1	[0]		↓	↑	↓
3(1)	1,1,1,0	[0]				
3(1)	1,1,1,0	[1]		Load completion	Eject start	Load completion

Chart 1.1 12cm Disc switch status transition

Route No.(EJECT route No.)	SW1/2/3/4	[Rest SW]	Loading*	Eject	Reload	
-	1,1,1,1	[0]	No Disc	No Disc	Disc push in	
1(2)	0,1,1,1	[0]	↓	↑ Eject completion		↙
1(2)	0,0,1,1	[0]		↘	Reload start	
2(2)	0,1,1,1	[0]		↓		↑
2(2)	1,1,1,1	[0]				
3(1)	1,1,1,0	[0]				
3(1)	1,1,1,0	[1]		Load completion	Eject start	Load completion

\*Transition in the center loading (Similar to 12cm in the side loading)

Chart 1.2 8cm Disc switch status transition



## 4.7 DVD unit check mode

Change LCD indication with a [FF ►►] button and a [REW ◀◀] button.

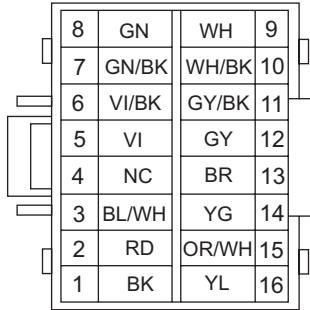
### Check item list

No.	A/D key	DVD unit operation	Example of LCD indication	Indication contents
1	[1]	Start at normal speed (After start, it is measured JITTER on the internal position)	NORMPLAY CUR * * * * JIT * * * *	Laser current value Jitter value
2	[2]	Tracking off on the outermost position of CD	EF-BAL OUTTROFF	For EF phase error
3	[3]	Tracking off on the innermost position of CD	EF-BAL INNTROFF	For EF phase error
4	[4]	CD_LD lights and laser current is displayed	CDLD ON CUR * * * * JIT * * * *	Laser current value Jitter value
5	[5]	DVD_LD lights and laser current is displayed	DVDLD ON CUR * * * * JIT * * * *	Laser current value Jitter value
6	[6]	DVD x1 jitter measuring mode (for use in mechanism measurement)	DVDx1JIT CUR * * * * JIT * * * *	Laser current value Jitter value
7	[DISP]	Indication of EEPROM contents	ROM DATA ADDR * * * * DATA * * * *	EEPROM address EEPROM contents
8	[SOURCE]	Initialization of EEPROM contents	ROMCLEAR	
9	[SEL]	Indication of temperature	TEMP TEMP * * * *	Temperature
10	[MODE]	Search & jitter measurement to an appointed position of DVD	DVD JIT PLC * * * * JIT * * * *	(Position measured with VT-501 jitter value)
11	[BAND]	Setting of MONITOR terminal	MONITOR M1 * * * * M2 * * * *	
12	[DISC UP ▲]	DVDx1 double speed start (After start, it is measured JITTER on the internal position)	PLAY CUR * * * * JIT * * * *	Laser current value Jitter value
13	[DISC DW ▼]	Disc stopped & LD-OFF	STOP	

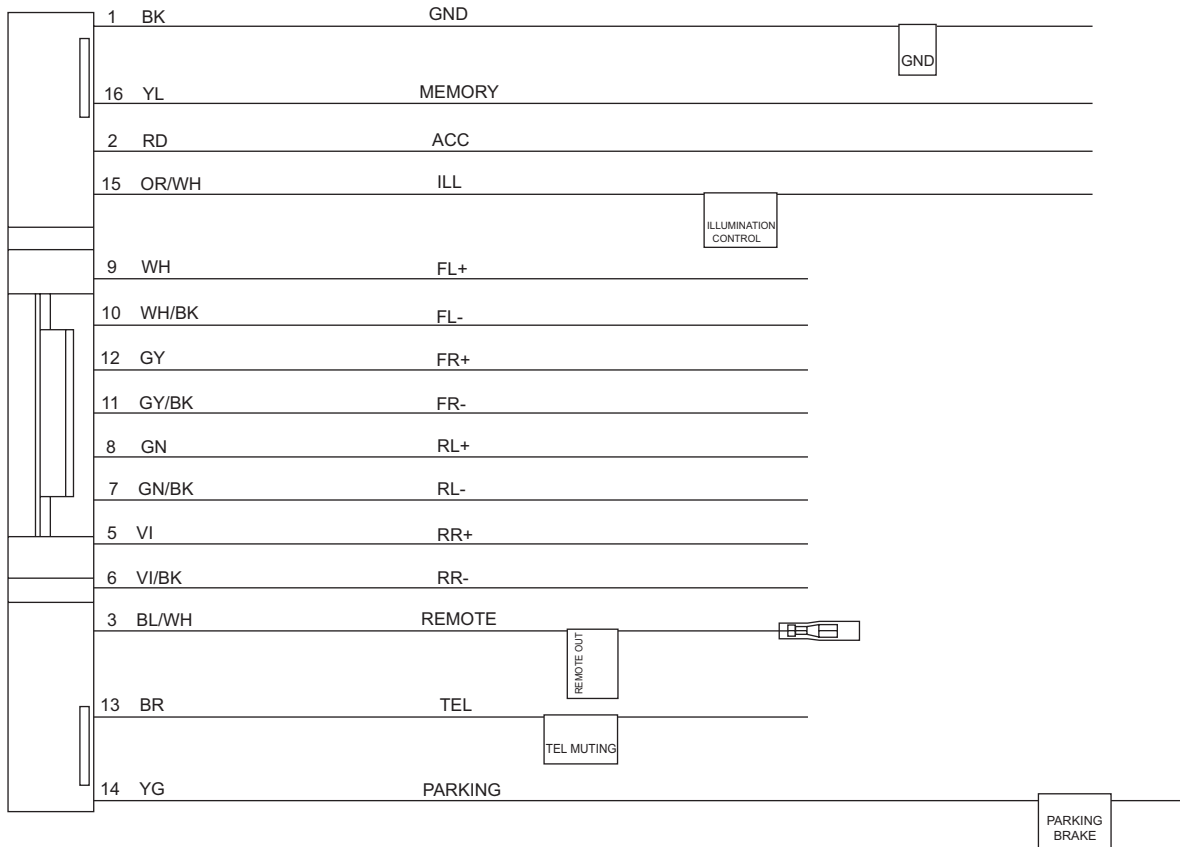
- Note
- In the case of the jitter measurement: Begin a service mode after insert a disc.
  - Press key [1] of No.1 before an item in which the No.2 or 3 key is pressed.
  - Press key [1] of No.1 or key [12] of No.12 before an item in which the No.10 key is pressed and confirm the indication of jitter value on the LCD.
  - No.6 starts only a DVD1 layer disc. Even other discs start DVD1 layer.
  - When No.1 and No.12 are pushed after jitter indication, a focus jump is executed. (only DVD2 layer)
  - Stop a disc before OPEN, CLOSE by all means.(OPEN and CLOSE are not executed in a disc turn.)
  - The check mode can be exited either by pressing the [POWER] key or by resetting the unit.

# SECTION 5 TROUBLESHOOTING

## 5.1 16PIN CORD DIAGRAM (for KD-ADV7380)

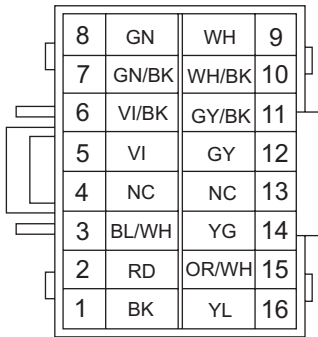


BK	Black	GN	Green
RD	Red	VI	Violet
BL	Blue	GY	Gray
WH	White	YL	Yellow
BR	Brown	YG	Yellow Green
OR	Orange		

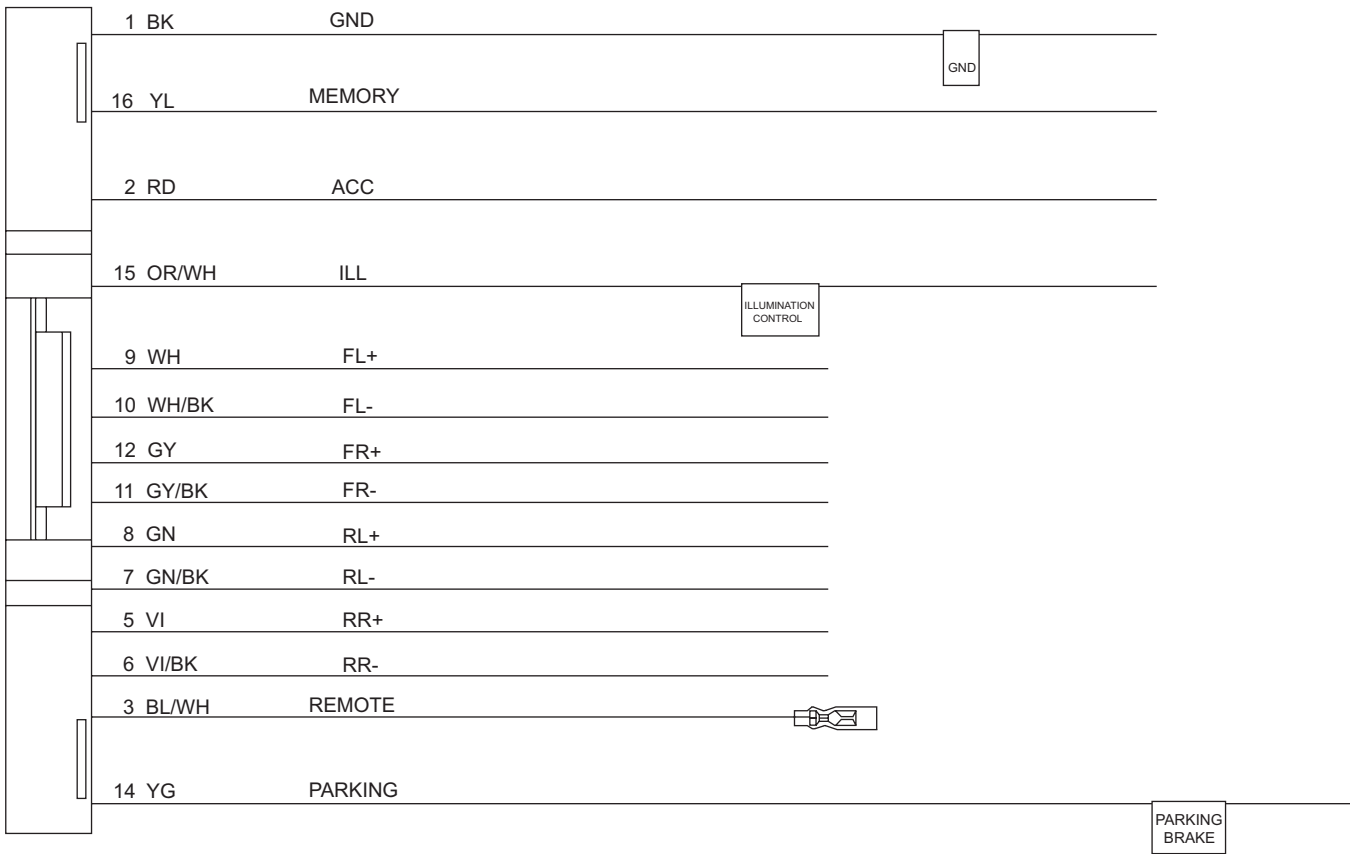


RR	Rear Right	ACC	ACC Line
FR	Front Right	TEL	Telephone Muting
FL	Front Left	GND	Ground
RL	Rear Left	MEMORY	Memory Backup Battery+
REMOTE	Remote	PARKING	Parking Brake
ILL	Illuminations Control		

**5.2 16 PIN CORD DIAGRAM (for KD-DV7300)**



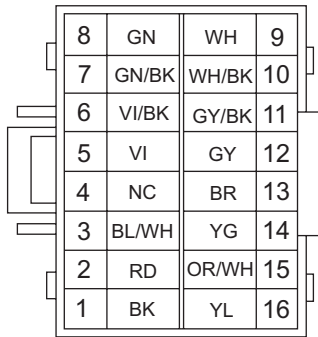
BK	Black	GN	Green
RD	Red	VI	Violet
BL	Blue	GY	Gray
WH	White	YL	Yellow
YG	Yellow Green	OR	Orange



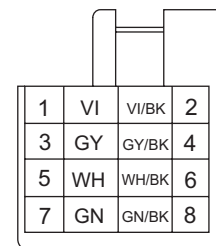
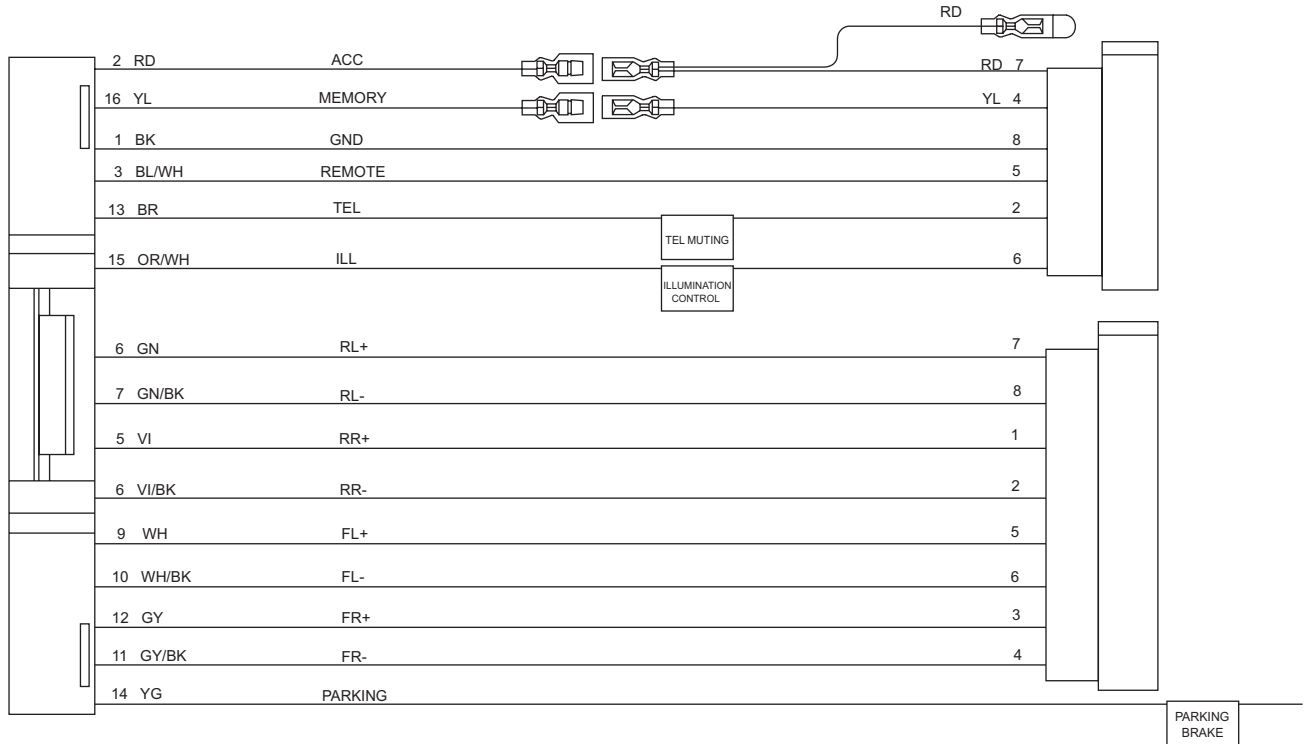
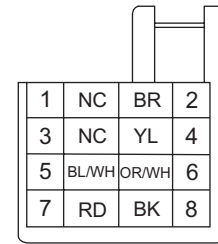
RR	Rear Right	ACC	ACC Line
FR	Front Right	GND	Ground
FL	Front Left	MEMORY	Memory Backup Battery+
RL	Rear Left	ILL	Illuminations Control
REMOTE	Remote	PARKING	Parking Brake



**5.3 16 PIN CORD DIAGRAM (for KD-DV7301, KD-DV7302, KD-DV7307, KD-DV7308)**

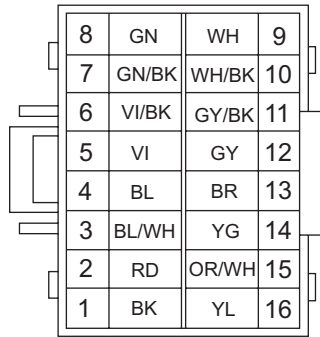


BK	Black	GN	Green
RD	Red	VI	Violet
BL	Blue	GY	Gray
WH	White	YL	Yellow
BR	Brown	OR	Orange
YG	Yellow Green		

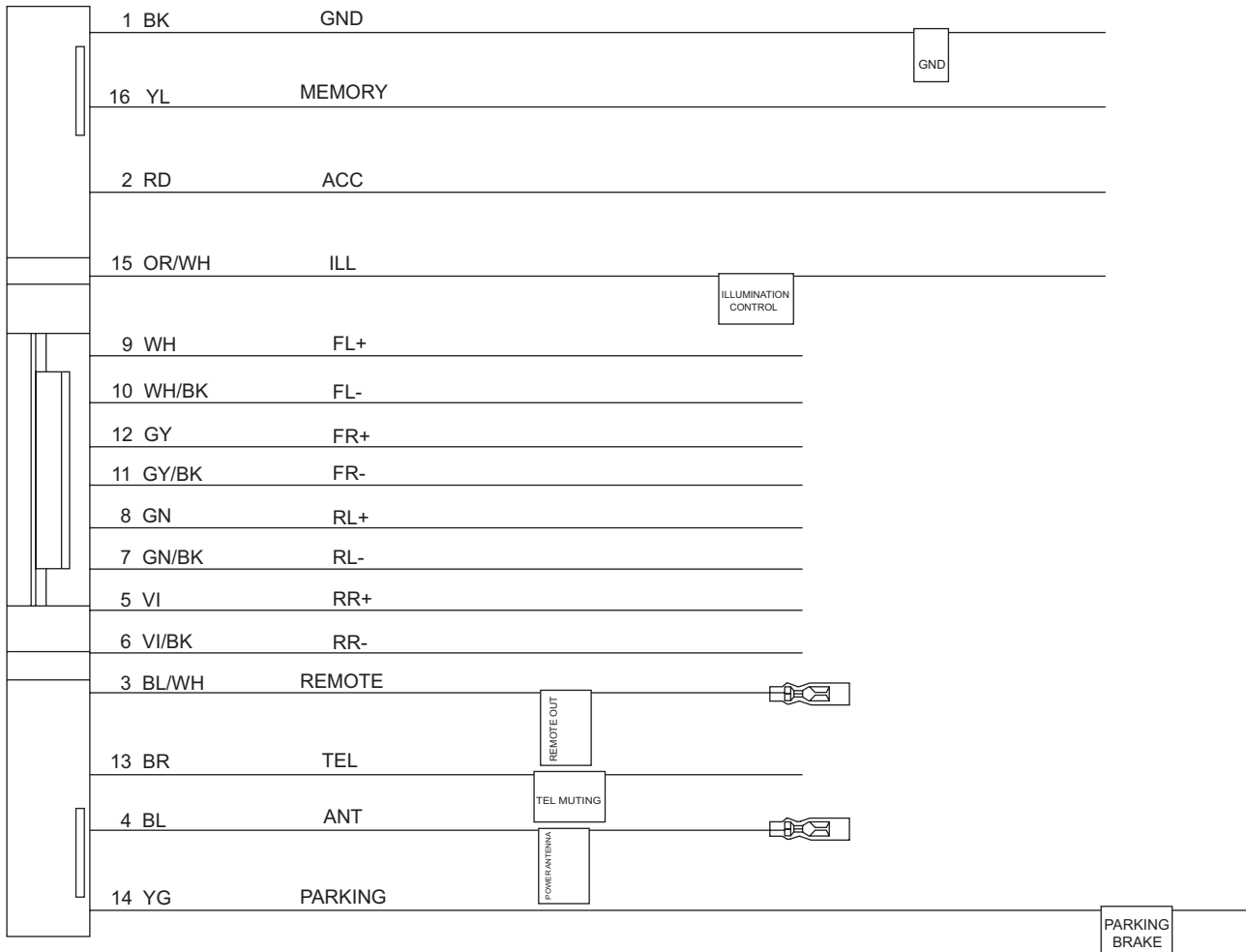


RR	Rear Right	ANT	Auto Antenna
FR	Front Right	ACC	ACC Line
FL	Front Left	TEL	Telephone Muting
RL	Rear Left	GND	Ground
REMOTE	Remote	MEMORY	Memory Backup Battery+
ILL	Illuminations Control	PARKING	Parking Brake

5.4 16 PIN CORD DIAGRAM (for KD-DV7304, KD-DV7305, KD-DV7306)

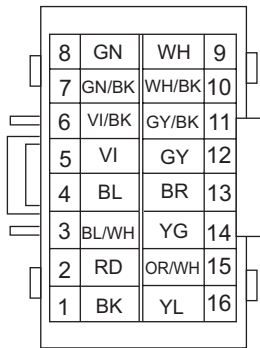


BK	Black	GN	Green
RD	Red	VI	Violet
BL	Blue	GY	Gray
WH	White	YL	Yellow
BR	Brown	OR	Orange
YG	Yellow Green		

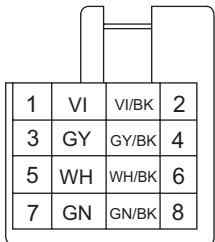
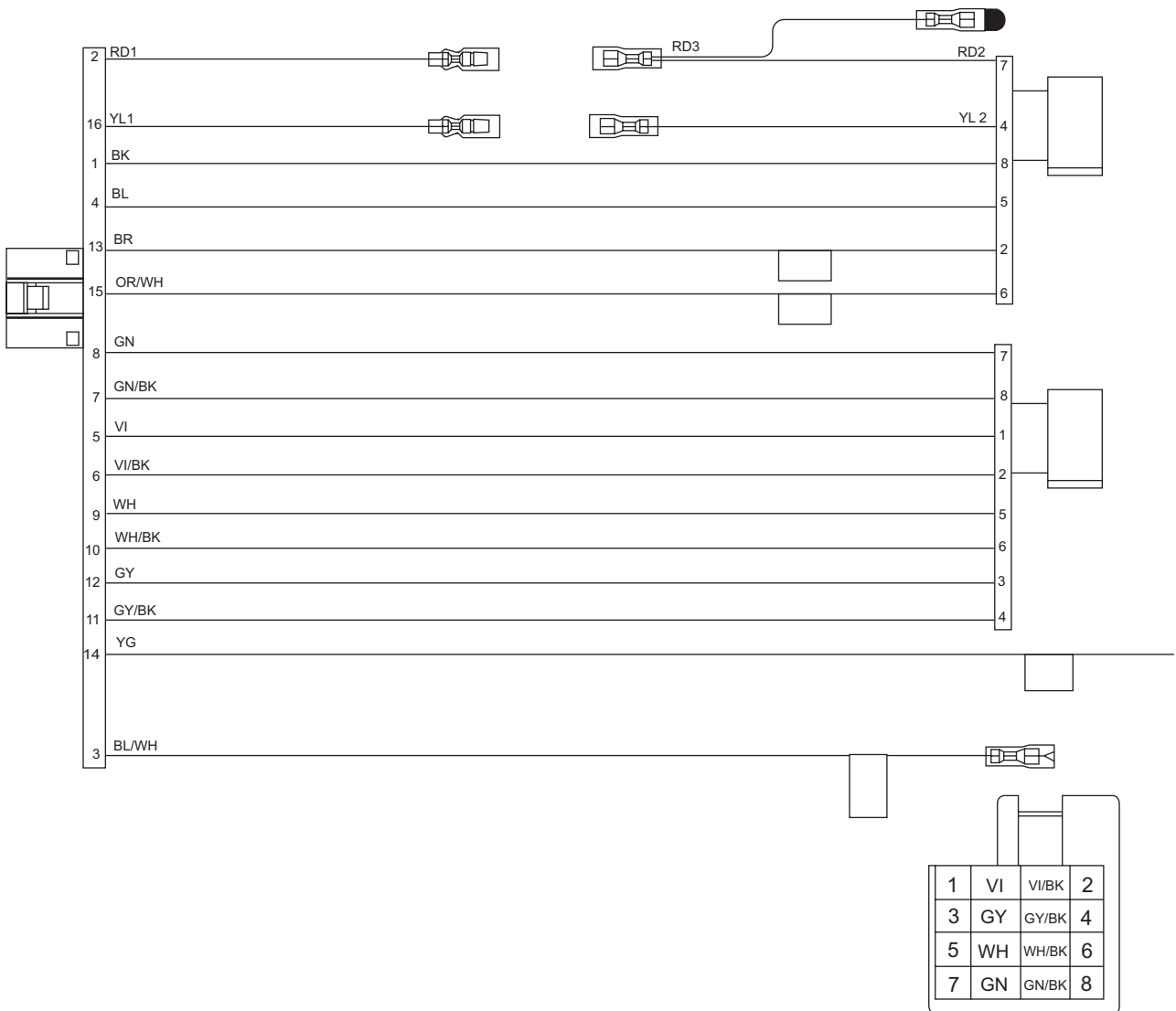
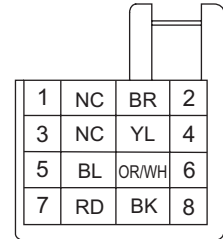


RR	Rear Right	ANT	Auto Antenna
FR	Front Right	ACC	ACC Line
FL	Front Left	TEL	Telephone Muting
RL	Rear Left	GND	Ground
REMOTE	Remote	MEMORY	Memory Backup Battery+
ILL	Illuminations Control	PARKING	Parking Brake

5.5 16 PIN CORD DIAGRAM (for KD-DV7308)



BK	Black	GN	Green
RD	Red	VI	Violet
BL	Blue	GY	Gray
WH	White	YL	Yellow
BR	Brown	YG	YellowGreen
OR	Orange		





# JVC

Victor company of Japan, Limited  
Mobile Entertainment Business Group Mobile Entertainment Category 10-1,1chome,Ohwatari-machi,Maebashi-city,Gumma-ken, 371-8543,Japan

---

(No.MA312)

# PARTS LIST

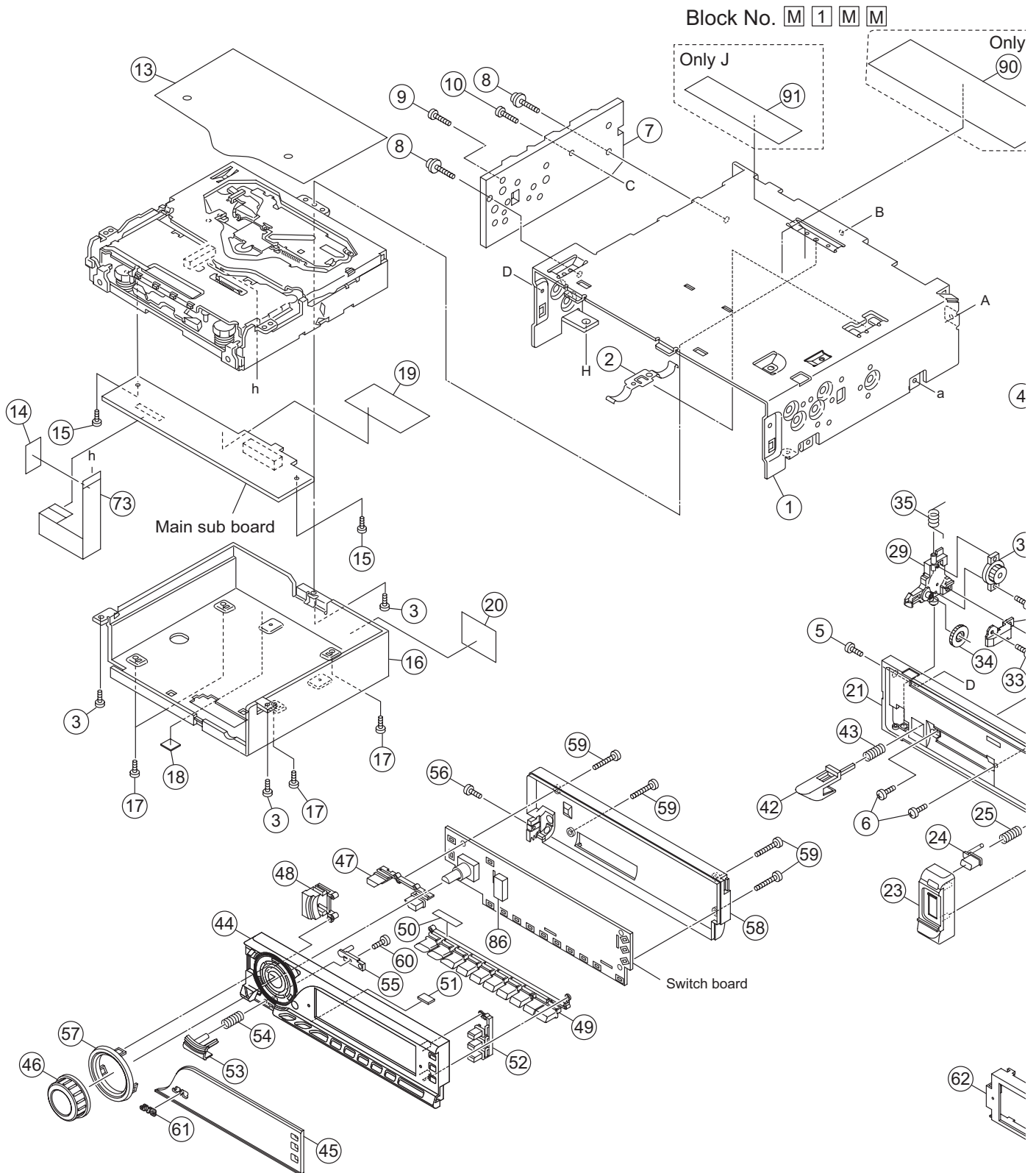
KD-ADV7380J,KD-DV7300J,KD-DV7301E  
KD-DV7301EU,KD-DV7302E,KD-DV7302EU  
KD-DV7304UI,KD-DV7305U,KD-DV7305UN  
KD-DV7305UT,KD-DV7305A,KD-DV7306U  
KD-DV7306UN,KD-DV7306UT,KD-DV7306A  
KD-DV7307EE,KD-DV7308EE,KD-DV7388UF

\* All printed circuit boards and its assemblies are not available as service parts.

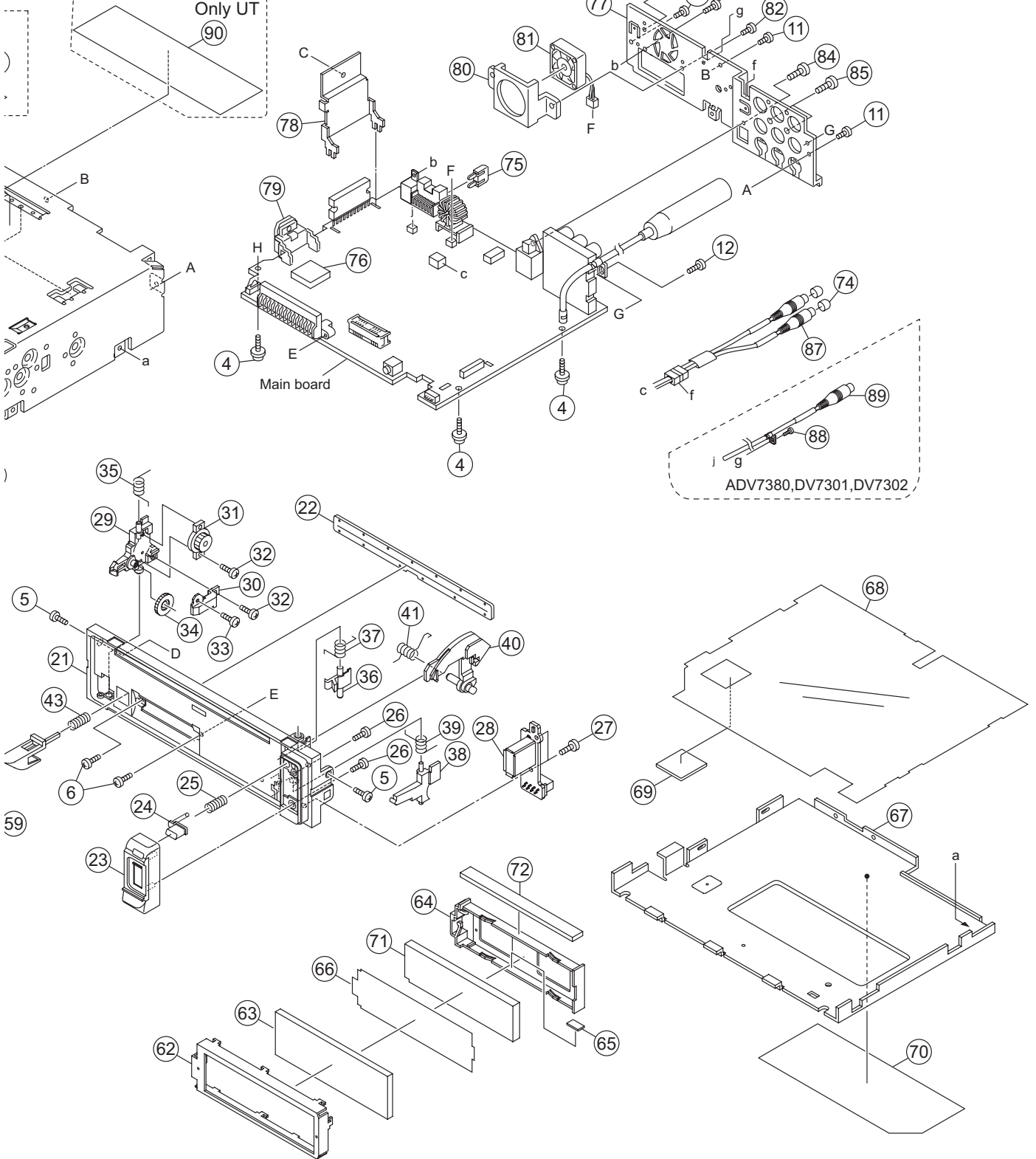
## - Contents -

Exploded view of general assembly and parts list (Block No.M1) .....	3- 2
DVD mechanism assembly and parts list(Block No.MJ).....	3- 6
Electrical parts list (Block No.01~05) .....	3- 9
Packing materials and accessories parts list (Block No.M3) .....	3-25

# Exploded view of general assembly and parts list



1 M M



# General Assembly

Block No. [M][1][M][M]

△	Symbol No.	Part No.	Part Name	Description	Local
	1	GE10197-002A	TOP CHASSIS		
	2	GE40135-001A	EARTH PLATE		
	3	QYSDST2606ZA	TAP SCREW	M2.6 x 6mm(x3)	
	4	GE40377-002A	SCREW	(x3)	
	5	QYSDST2004ZA	TAP SCREW	M2 x 4mm(x2)	
	6	QYSDSF2006ZA	TAP SCREW	M2 x 6mm(x2)	
	7	GE32499-002A	SIDE PANEL		
	8	GE40377-001A	SCREW	(x2)	
	9	GE40377-001A	SCREW		
	10	GE40377-001A	SCREW		
	11	QYSDST2604ZA	TAP SCREW	M2.6 x 4mm(x3)	
	12	QYSDST2604ZA	TAP SCREW	M2.6 x 4mm	
	13	LV34460-001A	INSULATOR		
	14	GE40278-001A	SHEET		
	15	QYSDST2004ZA	TAP SCREW	M2 x 4mm(x2)	
	16	GE20217-001A	DUST COVER		
	17	QYSDST2604ZA	TAP SCREW	M2.6 x 4mm(x4)	
	18	GE40218-034A	SHEET		
	19	GE40280-003A	SHEET		
	20	GE40218-060A	SHEET		
	21	GE32678-002A	FRONT CHASS ASSY		
	22	GE40375-001A	BLIND		
	23	GE32509-003A	FRONT COVER ASS		ADV7380J,DV7302E,DV7302EU,DV7306U, DV7306UN,DV7306UT,DV7306A,DV7307 EE,DV7388UF
	23	GE32509-004A	FRONT COVER ASS		DV7300J
	23	GE32509-005A	FRONT COVER ASS		DV7301E,DV7301EU,DV7304UI,DV7305U, DV7305UN,DV7305UT,DV7305A,DV7308E E
	24	GE32486-005A	EJECT BUTTON		ADV7380J,DV7302E,DV7302EU,DV7306U, DV7306UN,DV7306UT,DV7306A,DV7307 EE,DV7388UF
	24	GE32486-001A	EJECT BUTTON		DV7300J
	24	GE32486-003A	EJECT BUTTON		DV7301E,DV7301EU,DV7304UI,DV7305U, DV7305UN,DV7305UT,DV7305A,DV7308E E
	25	GE40202-015A	COMP.SPRING		
	26	VKZ4777-013	SCREW	(x2)	
	27	VKZ4777-011	MINI SCREW	(x2)	
	28	GE40218-071A	SHEET		
	29	GE32491-001A	LOCK LEVER L		
	30	GE32492-002A	LOCK LEVER GUID		
	31	QZW0108-002	OIL DAMPER		
	32	QYSDSF2006ZA	TAP SCREW	M2 x 6mm(x2)	
	33	VKZ4777-010	TAP SCREW		
	34	GE40154-001A	GEAR		
	35	GE40358-002A	T. SPRING		
	36	GE32494-001A	LOCK LEVER TOP		
	37	GE40360-002A	T. SPRING		
	38	GE32495-001A	LOCK LEVER R		
	39	GE40359-001A	T. SPRING		
	40	GE32496-001A	OPEN LEVER		
	41	GE40361-002A	TORSION SPRING		
	42	GE32493-001A	DETACH LEVER		
	43	GE40202-024A	COMPRESSION SPRING		
	44	GE32677-004A	FRONT PANEL ASSY		ADV7380J
	44	GE32677-005A	FRONT PANEL ASSY		DV7300J
	44	GE32677-006A	FRONT PANEL ASSY		DV7301E,DV7301EU
	44	GE32677-007A	FRONT PANEL ASSY		DV7302E,DV7302EU
	44	GE32677-009A	FRONT PANEL ASSY		DV7304UI
	44	GE32677-010A	FRONT PANEL ASSY		DV7305U,DV7305UN,DV7305UT,DV7305A
	44	GE32677-011A	FRONT PANEL ASSY		DV7306U,DV7306UN,DV7306UT,DV7306A
	44	GE32677-012A	FRONT PANEL ASSY		DV7307EE
	44	GE32677-025A	FRONT PANEL ASSY		DV7308EE
	44	GE32677-013A	FRONT PANEL ASSY		DV7388UF
	45	GE32480-025A	FINDER ASSY		ADV7380J
	45	GE32480-024A	FINDER ASSY		DV7300J
	45	GE32480-026A	FINDER ASSY		DV7301E,DV7301EU,DV7302E,DV7302EU, DV7307EE,DV7308EE
	45	GE32480-027A	FINDER ASSY		DV7304UI,DV7305U,DV7305UN,DV7305U T,DV7305A,DV7306U,DV7306UN,DV7306 UT,DV7306A,DV7388UF
	46	GE40314-003A	VOLUME KNOB ASS		ADV7380J,DV7302E,DV7302EU,DV7306U, DV7306UN,DV7306UT,DV7306A,DV7307 EE,DV7388UF



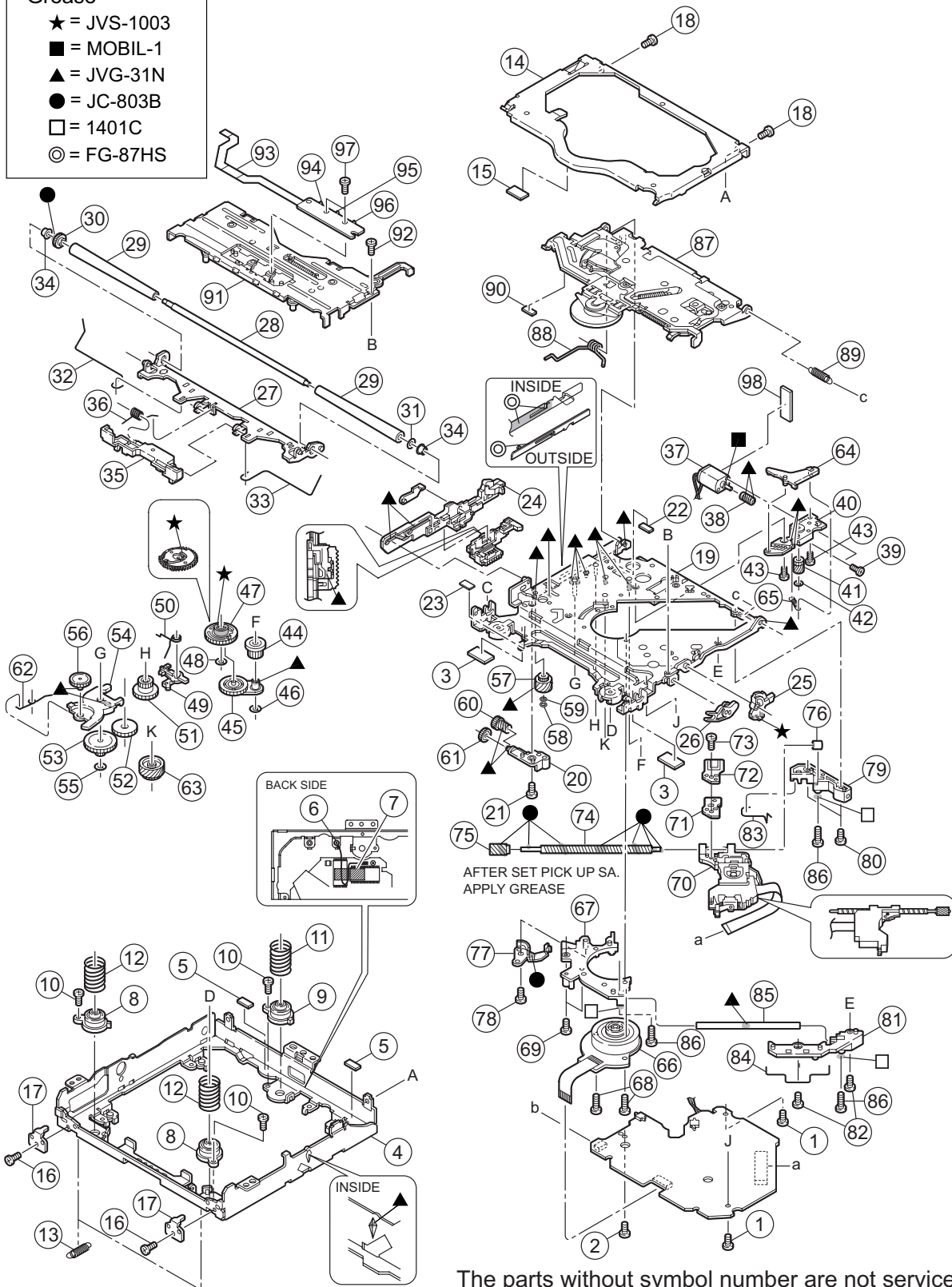
△	Symbol No.	Part No.	Part Name	Description	Local
	46	GE40314-004A	VOLUME KNOB ASS		DV7300J,DV7301E,DV7301EU,DV7304UI, DV7305U,DV7305UN,DV7305UT,DV7305A ,DV7308EE
	47	GE32482-002A	DISP BAND BTN		ADV7380J
	47	GE32482-001A	DISP BAND BTN		DV7300J,DV7301E,DV7301EU,DV7302E, DV7302EU,DV7304UI,DV7305U,DV7305U N,DV7305UT,DV7305A,DV7306U,DV7306 UN,DV7306UT,DV7306A,DV7307EE,DV73 08EE,DV7388UF
	48	GE32483-002A	SRC BUTTON		
	49	GE20214-006A	PRESET BUTTON		ADV7380J,DV7302E,DV7302EU,DV7306U ,DV7306UN,DV7306UT,DV7306A,DV7307 EE,DV7388UF
	49	GE20214-007A	PRESET BUTTON		DV7300J
	49	GE20214-008A	PRESET BUTTON		DV7301E,DV7301EU,DV7304UI,DV7305U, DV7305UN,DV7305UT,DV7305A,DV7308E E
	50	GE40218-015A	SHEET		
	51	GE40218-065A	SHEET		
	52	GE32484-001A	SUB BUTTON		
	53	GE32485-002A	DETACH BUTTON		
	54	GE40202-022A	COMP.SPRING		
	55	GE32578-001A	DETACH BTN BASE		
	56	GE40390-001A	SCREW		
	57	GE32479-003A	RIM COVER		ADV7380J,DV7302E,DV7302EU,DV7306U ,DV7306UN,DV7306UT,DV7306A,DV7307 EE,DV7388UF
	57	GE32479-002A	RIM COVER		DV7300J,DV7301E,DV7301EU,DV7304UI, DV7305U,DV7305UN,DV7305UT,DV7305A ,DV7308EE
	58	GE10195-002A	REAR COVER		
	59	VKZ4777-010	MINI SCREW	(x4)	
	60	VKZ4777-013	SCREW		
	61	GE40347-001A	JVC BADGE		
	62	GE32487-001A	LCD CASE		
	63	GE32142-001A	LENS		
	64	GE32488-001A	LENS CASE		
	65	FSYH4036-069	SHEET		
	66	GE40357-001A	LIGHTING SHEET		
	67	GE32498-002A	BOTTOM COVER		
	68	GE32497-002A	INSULATOR		
	69	GE40320-001A	COOLING RUBBER		
	70	GE32645-001A	NAME PLATE		ADV7380J
	70	GE32642-001A	NAME PLATE		DV7300J
	70	GE32662-001A	NAME PLATE		DV7301E,DV7301EU
	70	GE32665-001A	NAME PLATE		DV7302E,DV7302EU
	70	GE32659-001A	NAME PLATE		DV7304UI
	70	GE32648-003A	NAME PLATE		DV7305U,DV7305UN,DV7305UT
	70	GE32654-001A	NAME PLATE		DV7305A
	70	GE32651-001A	NAME PLATE		DV7306U,DV7306UN,DV7306UT
	70	GE32655-001A	NAME PLATE		DV7306A
	70	GE32668-001A	NAME PLATE		DV7307EE
	70	GE32796-001A	NAME PLATE		DV7308EE
	70	GE32680-001A	NAME PLATE		DV7388UF
	71	QLD0458-001	LCD MODULE		
	72	QNZ0914-001	RUBBER CONNECTO		
	73	QUQP05-5010AB-E	FFC WIRE	50pin 10cm	
	74	VYTA500-001	PIN CAP	(x2)	
△	75	QMFZ039-150-T	FUSE	15A	
	76	GE40258-001A	SHIELD COVER		
	77	GE32585-001A	REAR BRACKET		
	78	GE40362-001A	POWER IC BKT		
	79	GE40364-001A	REG IC BKT		
	80	GE40324-002A	FAN BRACKET		
	81	QAR0353-001	COOLING FAN		
	82	QYSDST2604ZA	TAP SCREW	M2.6 x 4mm(x2)	
	83	QYSDST2606ZA	TAP SCREW	M2.6 x 6mm	
	84	QYSDSF2606ZA	TAP SCREW	M2.6 x 6mm	
	85	QYSDSF2606ZA	TAP SCREW	M2.6 x 6mm(x2)	
	86	GE32489-001A	LED HOLDER		
	87	QAM0959-001	2ND AUDIO		
	88	QYSDST2604ZA	TAP SCREW	M2.6 x 4mm	ADV7380J,DV7301E,DV7301EU,DV7302E, DV7302EU
	89	QAM0991-001	CAR CABLE		ADV7380J,DV7301E,DV7301EU,DV7302E, DV7302EU
	90	GE31574-055A	UT LABEL		DV7305UT
	90	GE31574-056A	UT LABEL		DV7306UT
	91	GE40387-003A	DTS LABEL		ADV7380J,DV7300J

# DVD mechanism assembly and parts list

FMU-JD9-11D

Block No. M J M M

- Grease**
- ★ = JVS-1003
  - = MOBIL-1
  - ▲ = JVG-31N
  - = JC-803B
  - = 1401C
  - ◎ = FG-87HS



The parts without symbol number are not service.

# DVD mechanism

Block No. [M][J][M][M]

△	Symbol No.	Part No.	Part Name	Description	Local
	1	VKZ4539-056	MINI SCREW	(x2)	
	2	QYSPSFT2040ZA	TAP SCREW	M2 x 4mm	
	3	LV43481-001A	COOLING RUBBER	(x2)	
	4	LV10674-001A	CHASSIS FRAME		
	5	LV30225-0J6A	SPACER	(x2)	
	6	VKZ4539-056	MINI SCREW		
	7	VYSA1R4-056	SPACER		
	8	LV35272-001A	DAMPER(F)	(x2)	
	9	LV35273-001A	DAMPER(R)		
	10	QYSDST2005ZA	TAP SCREW	M2 x 5mm(x3)	
	11	LV43039-001A	DAMPER SP.(R)		
	12	LV43849-001A	DAMPER SP(F2)	(x2)	
	13	LV43041-001A	FLOATING SPRING	(x2)	
	14	LV10675-002A	TOP COVER		
	15	LV30225-0J5A	SPACER		
	16	VKZ4539-056	MINI SCREW	(x2)	
	17	LV33669-001A	STOPPER	(x2)	
	18	VKZ4539-056	MINI SCREW	(x2)	
	19	LV21297-004A	CHAS. BASE ASSY		
	20	LV33608-003A	GEAR HOLDER		
	21	VKZ4539-056	MINI SCREW		
	22	LV43561-002A	ABSORBER		
	23	LV30225-0J5A	SPACER		
	24	LV36831-001A	SLIDE CAM ASSY2		
	25	LV33610-002A	FLOATING ARM		
	26	LV33611-001A	CONNECT ARM		
	27	LV33678-003A	LOADING A. ASSY		
	28	LV43049-001A	LOADING SHAFT		
	29	LV43052-003A	ROLLER	(x2)	
	30	LV33612-001A	LOADING GEAR		
	31	QYWFM124013	WASHER	4mm/1.2mm x 0.13mm	
	32	LV43053-002A	ROD(L)		
	33	LV43054-003A	ROD(R)		
	34	LV43001-001A	COLLAR	(x2)	
	35	LV21285-005A	PROTECTOR		
	36	LV43055-001A	PROTECTOR SP.		
	37	QAR0373-002	MOTOR		
	38	LV43002-002A	WORM GEAR		
	39	QYSPSPT2025MA	SCREW	M2 x 2.5mm(x2)	
	40	LV33679-002A	MOTOR H. ASSY		
	41	LV33614-003A	WORM WHEEL		
	42	QYWDL1230250	SLIT WASHER	3mm/1.2mm x 0.25mm	
	43	VKZ4539-056	MINI SCREW	(x2)	
	44	LV33615-001A	GEAR 2		
	45	LV43057-004A	IDLER ARM ASSY		
	46	QYWDL1635252	SLIT WASHER	3.5mm/1.6mm x 0.25mm	
	47	LV21286-001A	CONTROL CAM		
	48	QYWDL1230196	SLIT WASHER	3mm/1.2mm x 0.19mm	
	49	LV33616-003A	LOAD LOCK LEV		
	50	LV43060-001A	CAM SPRING		
	51	LV43005-001A	GEAR 4		
	52	LV43006-003A	GEAR 5		
	53	LV33617-003A	GEAR 6		
	54	LV33618-002A	LOADING G. ARM		
	55	QYWDL1635252	SLIT WASHER	3.5mm/1.6mm x 0.25mm	
	56	LV43007-003A	GEAR 7		
	57	LV33619-002A	GEAR 8		
	58	LV42132-001A	E RING		
	59	QYWFM215013	WASHER	5mm/2.1mm x 0.13mm	
	60	LV33620-001A	GEAR 9		
	61	LV43008-001A	GEAR10		
	62	LV43061-001A	LOAD SPRING		
	63	LV33621-001A	FEED GEAR		
	64	LV33622-003A	TRIGGER ARM		
	65	LV43062-001A	FEED TRI.SPRING		
	66	QAR0240-002	SPINDEL MOTOR		
	67	LV21287-003A	SPINDLE BASE		
	68	LV44169-001A	SPECIAL SCREW	(x2)	
	69	VKZ4539-056	MINI SCREW	(x2)	
	70	QAL0742-001	DVD PICK UP		
	71	LV34583-002A	CD RACK PLATE		
	72	LV34579-001A	CD RACK SPRING		
	73	LV43903-002A	MINI TAP SCREW		
	74	LV43037-001A	LEAD SCREW		

△ Symbol No.	Part No.	Part Name	Description	Local
75	LV43010-001A	L.S.GEAR		
76	LV43063-001A	L.S.COLLAR		
77	LV43011-001A	THRUST SPRING		
78	QYSPSFT2040ZA	TAP SCREW	M2 x 4mm	
79	LV33624-001A	HOLDER(M)		
80	VKZ4539-056	MINI SCREW	(x2)	
81	LV22130-001A	HOLDER(S) 2		
82	VKZ4539-056	MINI SCREW	(x2)	
83	LV43064-001A	ROD(M)		
84	LV43065-001A	ROD(S)		
85	LV43066-001A	SUB SHAFT		
86	VKZ4730-003	SPECIAL SCREW	(x3)	
87	LV21298-008A	CLAMPER UNIT		
88	LV43070-001A	CLAMPER SPRING		
89	LV43355-001A	CLAMPER2 SPRING		
90	LV30225-0J6A	SPACER		
91	LV22185-004A	FRONT UNIT(C)		
92	VKZ4539-056	MINI SCREW		
93	LVB30012-002A	SW FPC		
94	NSW0187-001	SWITCH	S1	
95	NSW0187-001	SWITCH	S1	
96	NSW0187-001	SWITCH	S1	
97	VKZ4539-055	MINI SCREW	(x2)	
98	VYSA1R3-035	SPACER		

# Electrical parts list

## Main board

(ADV7380/DV7300/DV7304/DV7305/  
DV7306/DV7388)

Block No. [0][1]

Symbol No.	Part No.	Part Name	Description	Local
IC161	TDA7416	IC		
△ IC301	TB2904HQ	IC		
IC371	NJM2792V-X	IC		ADV7380J
IC401	TC7SET08F-X	IC		
IC402	TOTX177L	OPTICAL JACK		
IC411	MM1510XN-X	IC		
IC421	NJM4565E-X	IC		
IC431	LC75344M-X	IC		
△ IC721	UPD78F1167GC1L	IC(PROGRAMMED)		
IC723	S-80833CNNB-G-W	IC		
IC723	or IC-PST3433U-X	IC		
IC801	HD74HC126FP-X	IC		
△ IC901	R2S25400DS-E	IC		
△ IC921	BA33DD0WHFP-W	IC		
△ IC922	BD9781HFP-W	IC		
IC961	TC74LCX32FT-F-X	IC		
IC962	TC74VHCT32AFT-X	IC		
IC963	BD6516F-X	IC		
Q2	RT1N141C-X	DIGI TRANSISTOR		
Q2	or UN2211-X	TRANSISTOR		
Q191	RT6N430C-X	TRANSISTOR		
Q192	RT1P441C-X	DIGI TRANSISTOR		
Q192	or UN2113-X	TRANSISTOR		
Q301	RT1N441C-X	TRANSISTOR		
Q301	or UN2213-X	DIGI TRANSISTOR		
Q302	RT1P441C-X	DIGI TRANSISTOR		
Q302	or UN2113-X	TRANSISTOR		
Q303	RT6N430C-X	TRANSISTOR		
Q304	RT1N141C-X	DIGI TRANSISTOR		
Q304	or UN2211-X	TRANSISTOR		
Q324	RT6N430C-X	TRANSISTOR		
Q334	RT6N430C-X	TRANSISTOR		
Q344	RT6N430C-X	TRANSISTOR		
Q354	RT6N430C-X	TRANSISTOR		
Q422	RT6N430C-X	TRANSISTOR		
Q432	RT6N430C-X	TRANSISTOR		
Q701	2SA1530A/R/-X	TRANSISTOR		
Q701	or 2SB709A/R/-X	TRANSISTOR		
Q710	RT1N441C-X	TRANSISTOR		
Q710	or UN2213-X	DIGI TRANSISTOR		
Q781	RT1P141C-X	DIGI TRANSISTOR		
Q781	or UN2111-X	TRANSISTOR		
Q782	RT1P141C-X	DIGI TRANSISTOR		
Q782	or UN2111-X	TRANSISTOR		
Q783	RT1P141C-X	DIGI TRANSISTOR		
Q783	or UN2111-X	TRANSISTOR		
Q784	RT1P141C-X	DIGI TRANSISTOR		
Q784	or UN2111-X	TRANSISTOR		
Q821	RT1N141C-X	DIGI TRANSISTOR		
Q821	or UN2211-X	TRANSISTOR		
Q822	RT1P141C-X	DIGI TRANSISTOR		
Q822	or UN2111-X	TRANSISTOR		
Q823	2SC4485/ST-T	TRANSISTOR		
Q861	2SA1530A/R/-X	TRANSISTOR		
Q861	or 2SB709A/R/-X	TRANSISTOR		
Q881	2SC3928A/R/-X	TRANSISTOR		
Q881	or 2SD601A/R/-X	TRANSISTOR		
Q885	RT1N141C-X	DIGI TRANSISTOR		
Q885	or UN2211-X	TRANSISTOR		

Symbol No.	Part No.	Part Name	Description	Local
Q891	RT1N141C-X	DIGI TRANSISTOR		ADV7380J ,DV7304UI ,DV7305U, ,DV7305U N,DV7305 UT,DV730 5A,DV730 6U,DV730 6UN,DV73 06UT,DV7 306A,DV7 388UF
Q891	or UN2211-X	TRANSISTOR		ADV7380J ,DV7304UI ,DV7305U, ,DV7305U N,DV7305 UT,DV730 5A,DV730 6U,DV730 6UN,DV73 06UT,DV7 306A,DV7 388UF
Q901	RT1P141C-X	DIGI TRANSISTOR		
Q901	or UN2111-X	TRANSISTOR		
Q902	RT1N141C-X	DIGI TRANSISTOR		
Q902	or UN2211-X	TRANSISTOR		
Q903	2SA1530A/R/-X	TRANSISTOR		
Q903	or 2SB709A/R/-X	TRANSISTOR		
Q904	RT1N141C-X	DIGI TRANSISTOR		
Q904	or UN2211-X	TRANSISTOR		
Q922	RSQ035P03-W	MOS FET		
Q923	RT1N141C-X	DIGI TRANSISTOR		
Q923	or UN2211-X	TRANSISTOR		
Q976	RT1N441C-X	TRANSISTOR		
Q976	or UN2213-X	DIGI TRANSISTOR		
Q977	2SA1530A/R/-X	TRANSISTOR		
Q977	or 2SB709A/R/-X	TRANSISTOR		
D1	1SS355W-X	DIODE		
D1	or MA111-X	SI DIODE		
D2	1SS355W-X	DIODE		
D2	or MA111-X	SI DIODE		
D192	1SS355W-X	DIODE		
D192	or MA111-X	SI DIODE		
D301	UDZW11B-X	Z DIODE		
D301	or MA8110/M/-X	Z DIODE		
D302	1SS355W-X	DIODE		
D302	or MA111-X	SI DIODE		
D305	CRS03-W	SB DIODE		
D305	or RB160M-30-X	SB DIODE		
D305	or MA22D23-X	SB DIODE		
D308	CRS03-W	SB DIODE		
D308	or RB160M-30-X	SB DIODE		
D308	or MA22D23-X	SB DIODE		
D324	1SS355W-X	DIODE		
D324	or MA111-X	SI DIODE		
D334	1SS355W-X	DIODE		
D334	or MA111-X	SI DIODE		
D344	1SS355W-X	DIODE		
D344	or MA111-X	SI DIODE		
D354	1SS355W-X	DIODE		
D354	or MA111-X	SI DIODE		
D401	CRS03-W	SB DIODE		
D401	or RB160M-30-X	SB DIODE		
D401	or MA22D23-X	SB DIODE		
D421	1SS355W-X	DIODE		
D421	or MA111-X	SI DIODE		
D431	1SS355W-X	DIODE		
D431	or MA111-X	SI DIODE		
D701	UDZW6.2B-X	Z DIODE		
D701	or MA8062/M/-X	Z DIODE		
D702	UDZW6.2B-X	Z DIODE		
D702	or MA8062/M/-X	Z DIODE		
D703	UDZW6.2B-X	Z DIODE		
D703	or MA8062/M/-X	Z DIODE		
D704	UDZW6.2B-X	Z DIODE		
D704	or MA8062/M/-X	Z DIODE		

△ Symbol No.	Part No.	Part Name	Description	Local	△ Symbol No.	Part No.	Part Name	Description	Local
D705	UDZW6.2B-X	Z DIODE			D852	or RB160M-30-X	SB DIODE		DV7304UI, DV7305U, DV7305U N,DV7305 UT,DV730 5A,DV730 6U,DV730 6UN,DV73 06UT,DV7 306A,DV7 388UF
D705	or MA8062/M-X	Z DIODE			D852	or MA22D23-X	SB DIODE		DV7304UI, DV7305U, DV7305U N,DV7305 UT,DV730 5A,DV730 6U,DV730 6UN,DV73 06UT,DV7 306A,DV7 388UF
D706	UDZW6.2B-X	Z DIODE							
D706	or MA8062/M-X	Z DIODE							
D707	UDZW6.2B-X	Z DIODE							
D707	or MA8062/M-X	Z DIODE							
D709	UDZW6.2B-X	Z DIODE							
D709	or MA8062/M-X	Z DIODE							
D710	UDZW6.2B-X	Z DIODE							
D710	or MA8062/M-X	Z DIODE							
D711	UDZW6.2B-X	Z DIODE							
D711	or MA8062/M-X	Z DIODE							
D716	UDZW5.1B-X	SB DIODE							
D716	or MA8051/M-X	Z DIODE							
D718	LHQ974/LM-X	LED							
D720	LHQ974/LM-X	LED							
D731	1SS355W-X	DIODE							
D731	or MA111-X	SI DIODE							
D732	UDZW6.2B-X	Z DIODE							
D732	or MA8062/M-X	Z DIODE							
D781	MC2836-X	DIODE			D861	MA111-X	SI DIODE		
D781	or MA152WA-X	DIODE			D861	or 1SS355W-X	DIODE		
D782	MC2836-X	DIODE			D862	UDZW4.7B-X	Z DIODE		
D782	or MA152WA-X	DIODE			D862	or MA8047/M-X	Z DIODE		
D783	UDZW11B-X	Z DIODE			D885	1SS355W-X	DIODE		
D783	or MA8110/M-X	Z DIODE			D885	or MA111-X	SI DIODE		
D784	UDZW11B-X	Z DIODE			D891	MC2836-X	DIODE		ADV7380J ,DV7304UI ,DV7305U, DV7305U N,DV7305 UT,DV730 5A,DV730 6U,DV730 6UN,DV73 06UT,DV7 306A,DV7 388UF
D784	or MA8110/M-X	Z DIODE							
D785	1SS355W-X	DIODE							
D785	or MA111-X	SI DIODE							
D801	CRS03-W	SB DIODE							
D801	or RB160M-30-X	SB DIODE							
D801	or MA22D23-X	SB DIODE							
D821	UDZW12B-X	Z DIODE							
D821	or MA8120/M-X	Z DIODE							
D831	UDZW6.2B-X	Z DIODE		ADV7380J					
D831	or MA8062/M-X	Z DIODE		ADV7380J	D891	or MA152WA-X	DIODE		ADV7380J ,DV7304UI ,DV7305U, DV7305U N,DV7305 UT,DV730 5A,DV730 6U,DV730 6UN,DV73 06UT,DV7 306A,DV7 388UF
D851	CRS03-W	SB DIODE		DV7304UI, DV7305U, DV7305U N,DV7305 UT,DV730 5A,DV730 6U,DV730 6UN,DV73 06UT,DV7 306A,DV7 388UF					
D851	or RB160M-30-X	SB DIODE		DV7304UI, DV7305U, DV7305U N,DV7305 UT,DV730 5A,DV730 6U,DV730 6UN,DV73 06UT,DV7 306A,DV7 388UF	△ D901	1N5401-F64	SI DIODE		
					△ D901	or 1N5401-TU-15	SI DIODE		
					D903	1SS355W-X	DIODE		
					D903	or MA111-X	SI DIODE		
					D906	UDZW5.1B-X	SB DIODE		
					D906	or MA8051/M-X	Z DIODE		
					D921	RB051L-40-X	SB DIODE		
					D922	RB051L-40-X	SB DIODE		
					D923	CRS03-W	SB DIODE		
					D923	or RB160M-30-X	SB DIODE		
					D923	or MA22D23-X	SB DIODE		
					D924	CRS03-W	SB DIODE		
					D924	or RB160M-30-X	SB DIODE		
					D924	or MA22D23-X	SB DIODE		
					D925	CRS03-W	SB DIODE		
					D925	or RB160M-30-X	SB DIODE		
					D925	or MA22D23-X	SB DIODE		
					D981	CRS03-W	SB DIODE		
					D981	or RB160M-30-X	SB DIODE		
					D981	or MA22D23-X	SB DIODE		
					D982	CRS03-W	SB DIODE		
					D982	or RB160M-30-X	SB DIODE		
					D982	or MA22D23-X	SB DIODE		
					D983	LHQ974/LM-X	LED		
					D984	UDZW5.1B-X	SB DIODE		
					D984	or MA8051/M-X	Z DIODE		
					D985	UDZW5.1B-X	SB DIODE		
					D985	or MA8051/M-X	Z DIODE		
					C1	NCB31CK-104X	C CAPACITOR	0.1uF 16V K	
					C4	NCB31EK-104X	C CAPACITOR	0.1uF 25V K	

△ Symbol No.	Part No.	Part Name	Description	Local	△ Symbol No.	Part No.	Part Name	Description	Local
C5	QEKJ1CM-476Z	E CAPACITOR	47uF 16V M		C463	NCF31CZ-104X	C CAPACITOR	0.1uF 16V Z	
C6	NCB31EK-104X	C CAPACITOR	0.1uF 25V K		C464	QEKJ1CM-476Z	E CAPACITOR	47uF 16V M	
C7	QEKJ1AM-227Z	E CAPACITOR	220uF 10V M		C465	NCF31CZ-104X	C CAPACITOR	0.1uF 16V Z	
C8	NCB31CK-104X	C CAPACITOR	0.1uF 16V K		C701	NCB31HK-103X	C CAPACITOR	0.01uF 50V K	
C9	NCB31CK-224X	C CAPACITOR	0.22uF 16V K		C702	NCB31CK-104X	C CAPACITOR	0.1uF 16V K	
C83	QTE1E57-475Z	E CAPACITOR	4.7uF 25V		C721	NCB31EK-473X	C CAPACITOR	0.047uF 25V K	
C93	QTE1E57-475Z	E CAPACITOR	4.7uF 25V		C722	QEKJ1AM-227Z	E CAPACITOR	220uF 10V M	
C141	NCB31HK-471X	C CAPACITOR	470pF 50V K		C723	NCS31HJ-471X	C CAPACITOR	470pF 50V J	
C151	NCB31HK-471X	C CAPACITOR	470pF 50V K		C724	NCS31HJ-471X	C CAPACITOR	470pF 50V J	
C155	NCB31AK-474X	C CAPACITOR	0.47uF 10V K		C725	QEKJ1AM-227Z	E CAPACITOR	220uF 10V M	
C161	QTE1A57-107Z	E CAPACITOR	100uF 10V		C728	NDC31HJ-270X	C CAPACITOR	27pF 50V J	
C162	NCB31CK-473X	C CAPACITOR	0.047uF 16V K		C729	NDC31HJ-220X	C CAPACITOR	22pF 50V J	
C163	NFV81CM-105X	MF CAPACITOR	1uF 16V M		C730	QEKJ0JM-476Z	E CAPACITOR	47uF 6.3V M	
C164	NFV81CM-105X	MF CAPACITOR	1uF 16V M		C731	NCB31CK-103X	C CAPACITOR	0.01uF 16V K	
C165	NFV81CM-105X	MF CAPACITOR	1uF 16V M		C732	QEKJ1AM-227Z	E CAPACITOR	220uF 10V M	
C166	QTE1C57-106Z	E CAPACITOR	10uF 16V		C734	NCB31AK-474X	C CAPACITOR	0.47uF 10V K	
C168	QEKJ1HM-225Z	E CAPACITOR	2.2uF 50V M		C741	NCB31EK-473X	C CAPACITOR	0.047uF 25V K	
C171	QTE1H57-225Z	E CAPACITOR	2.2uF 50V		C781	QEKJ0JM-476Z	E CAPACITOR	47uF 6.3V M	
C172	QTE1H54-225Z	E CAPACITOR	2.2uF 50V		C782	QEKJ0JM-476Z	E CAPACITOR	47uF 6.3V M	
C174	QEKJ1HM-225Z	E CAPACITOR	2.2uF 50V M		C783	QEKJ1CM-476Z	E CAPACITOR	47uF 16V M	
C177	QEKJ1HM-225Z	E CAPACITOR	2.2uF 50V M		C784	QEKJ1CM-476Z	E CAPACITOR	47uF 16V M	
C181	QTE1H57-225Z	E CAPACITOR	2.2uF 50V		C802	NCS31HJ-220X	C CAPACITOR	22pF 50V J	
C182	QTE1H54-225Z	E CAPACITOR	2.2uF 50V		C803	NCB31CK-473X	C CAPACITOR	0.047uF 16V K	
C184	QEKJ1HM-225Z	E CAPACITOR	2.2uF 50V M		C804	NCS31HJ-220X	C CAPACITOR	22pF 50V J	
C187	QEKJ1HM-225Z	E CAPACITOR	2.2uF 50V M		C821	QEKJ1CM-106Z	E CAPACITOR	10uF 16V M	
C191	QEKJ0JM-476Z	E CAPACITOR	47uF 6.3V M		C822	QEKJ1CM-106Z	E CAPACITOR	10uF 16V M	
C267	QEKJ1CM-106Z	E CAPACITOR	10uF 16V M		C823	NCB31HK-103X	C CAPACITOR	0.01uF 50V K	
C301	QEKJ1CM-476Z	E CAPACITOR	47uF 16V M		C831	NCS31HJ-101X	C CAPACITOR	100pF 50V J	ADV7380J
C302	NCB31HK-103X	C CAPACITOR	0.01uF 50V K		C851	NCB31CK-104X	C CAPACITOR	0.1uF 16V K	DV7304UI, DV7305U, DV7305U N,DV7305 UT,DV730 5A,DV730 6U,DV730 6UN,DV73 06UT,DV7 306A,DV7 388UF
C311	NBE21CM-475X	TA E CAPACITOR	4.7uF 16V M						
C312	QTE1C57-476Z	E CAPACITOR	47uF 16V						
C313	NCB31HK-103X	C CAPACITOR	0.01uF 50V K						
C314	QEKJ1HM-225Z	E CAPACITOR	2.2uF 50V M						
C315	QEKJ1CM-226Z	E CAPACITOR	22uF 16V M						
C316	NCB31HK-103X	C CAPACITOR	0.01uF 50V K						
C326	QEKJ1EM-475Z	E CAPACITOR	4.7uF 25V M						
C328	NFV81CM-105X	MF CAPACITOR	1uF 16V M						
C329	NCS31HJ-101X	C CAPACITOR	100pF 50V J						
C331	NCB31CK-223X	C CAPACITOR	0.022uF 16V K		C881	QEKJ1CM-226Z	E CAPACITOR	22uF 16V M	
C336	QEKJ1EM-475Z	E CAPACITOR	4.7uF 25V M		C885	QEKJ1CM-106Z	E CAPACITOR	10uF 16V M	
C338	NFV81CM-105X	MF CAPACITOR	1uF 16V M		C892	NCB31CK-104X	C CAPACITOR	0.1uF 16V K	ADV7380J ,DV7304UI ,DV7305U, DV7305U N,DV7305 UT,DV730 5A,DV730 6U,DV730 6UN,DV73 06UT,DV7 306A,DV7 388UF
C339	NCS31HJ-101X	C CAPACITOR	100pF 50V J						
C346	QEKJ1EM-475Z	E CAPACITOR	4.7uF 25V M						
C348	NFV81CM-105X	MF CAPACITOR	1uF 16V M						
C349	NCS31HJ-101X	C CAPACITOR	100pF 50V J						
C356	QEKJ1EM-475Z	E CAPACITOR	4.7uF 25V M						
C358	NFV81CM-105X	MF CAPACITOR	1uF 16V M						
C359	NCS31HJ-101X	C CAPACITOR	100pF 50V J						
C373	QEKJ1EM-475Z	E CAPACITOR	4.7uF 25V M	ADV7380J					
C374	QEKJ1EM-475Z	E CAPACITOR	4.7uF 25V M	ADV7380J					
C377	NCB31HK-152X	C CAPACITOR	1500pF 50V K	ADV7380J	C901	QE20768-278	E CAPACITOR	2700uF	
C378	NCB31HK-152X	C CAPACITOR	1500pF 50V K	ADV7380J	C902	QEKJ1HM-225Z	E CAPACITOR	2.2uF 50V M	
C379	QEKJ1AM-227Z	E CAPACITOR	220uF 10V M	ADV7380J	C903	QEKJ1CM-106Z	E CAPACITOR	10uF 16V M	
C380	QEKJ1AM-227Z	E CAPACITOR	220uF 10V M	ADV7380J	C904	NCF31CZ-104X	C CAPACITOR	0.1uF 16V Z	DV7304UI, DV7305U, DV7305U N,DV7305 UT,DV730 5A,DV730 6U,DV730 6UN,DV73 06UT,DV7 306A,DV7 388UF
C384	QEKJ1EM-475Z	E CAPACITOR	4.7uF 25V M	ADV7380J					
C389	NCB31CK-104X	C CAPACITOR	0.1uF 16V K	ADV7380J					
C390	QEKJ1AM-107Z	E CAPACITOR	100uF 10V M	ADV7380J					
C391	QEKJ0JM-476Z	E CAPACITOR	47uF 6.3V M	ADV7380J					
C392	QEKJ1EM-475Z	E CAPACITOR	4.7uF 25V M	ADV7380J					
C401	NCS31HJ-220X	C CAPACITOR	22pF 50V J						
C402	NCB31HK-103X	C CAPACITOR	0.01uF 50V K						
C403	NCB31HK-103X	C CAPACITOR	0.01uF 50V K						
C404	QEKJ0JM-107Z	E CAPACITOR	100uF 6.3V M						
C405	NCS31HJ-220X	C CAPACITOR	22pF 50V J		C905	QEKJ1AM-107Z	E CAPACITOR	100uF 10V M	
C406	NCB31HK-103X	C CAPACITOR	0.01uF 50V K		C906	NCF31CZ-104X	C CAPACITOR	0.1uF 16V Z	
C411	QEKJ1AM-227Z	E CAPACITOR	220uF 10V M		C907	NCB31HK-103X	C CAPACITOR	0.01uF 50V K	
C412	NCB31EK-473X	C CAPACITOR	0.047uF 25V K		C908	QEKJ1AM-227Z	E CAPACITOR	220uF 10V M	
C413	QCZ0202-155Z	C CAPACITOR	1.5uF 25V Z		C909	QEKJ1CM-107Z	E CAPACITOR	100uF 16V M	
C414	QERF0JM-337Z	E CAPACITOR	330uF 6.3V M		C910	NCB31HK-102X	C CAPACITOR	1000pF 50V K	
C423	QEKJ1EM-475Z	E CAPACITOR	4.7uF 25V M		C911	NCB31HK-102X	C CAPACITOR	1000pF 50V K	
C424	NCS31HJ-151X	C CAPACITOR	150pF 50V J		C912	QEKJ1CM-226Z	E CAPACITOR	22uF 16V M	
C428	NBE21CM-475X	TA E CAPACITOR	4.7uF 16V M		C913	NCB31EK-473X	C CAPACITOR	0.047uF 25V K	
C433	QEKJ1EM-475Z	E CAPACITOR	4.7uF 25V M		C921	QERF0JM-337Z	E CAPACITOR	330uF 6.3V M	
C434	NCS31HJ-151X	C CAPACITOR	150pF 50V J		C922	QEKJ0JM-227Z	E CAPACITOR	220uF 6.3V M	
C438	NBE21CM-475X	TA E CAPACITOR	4.7uF 16V M		C923	QEKJ0JM-107Z	E CAPACITOR	100uF 6.3V M	
C441	QEKJ0JM-476Z	E CAPACITOR	47uF 6.3V M		C926	QEXF1AM-476Z	E CAPACITOR	47uF 10V M	
C451	QEKJ0JM-476Z	E CAPACITOR	47uF 6.3V M		C927	QE20595-477Z	E CAPACITOR	470uF 25V M	
C461	QEKJ1CM-226Z	E CAPACITOR	22uF 16V M		C928	NCF31CZ-104X	C CAPACITOR	0.1uF 16V Z	

△ Symbol No.	Part No.	Part Name	Description	Local	△ Symbol No.	Part No.	Part Name	Description	Local
C929	NCB31HK-472X	C CAPACITOR	4700pF 50V K		R152	NRSA63J-0R0X	MG RESISTOR	0Ω 1/16W J	
C930	NCF31CZ-104X	C CAPACITOR	0.1uF 16V Z		R155	NRSA63J-471X	MG RESISTOR	470Ω 1/16W J	
C961	QEKJ0JM-227Z	E CAPACITOR	220uF 6.3V M		R161	NRSA63J-0R0X	MG RESISTOR	0Ω 1/16W J	
C962	NBE41AM-476X	TA E CAPACITOR	47uF 10V M		R162	NRSA63J-473X	MG RESISTOR	47kΩ 1/16W J	
C963	QEKJ1AM-227Z	E CAPACITOR	220uF 10V M		R163	NRSA63J-473X	MG RESISTOR	47kΩ 1/16W J	
C964	QERF0JM-337Z	E CAPACITOR	330uF 6.3V M		R164	NRSA63J-473X	MG RESISTOR	47kΩ 1/16W J	
C965	QEKJ1AM-227Z	E CAPACITOR	220uF 10V M		R165	NRSA63J-473X	MG RESISTOR	47kΩ 1/16W J	
C966	NCB31CK-104X	C CAPACITOR	0.1uF 16V K		R191	NRSA63J-0R0X	MG RESISTOR	0Ω 1/16W J	
C967	NCB31CK-104X	C CAPACITOR	0.1uF 16V K		R192	NRSA63J-821X	MG RESISTOR	820Ω 1/16W J	
C968	NCB31EK-473X	C CAPACITOR	0.047uF 25V K		R193	NRSA63J-101X	MG RESISTOR	100Ω 1/16W J	
C969	NCB31EK-473X	C CAPACITOR	0.047uF 25V K		R194	NRSA63J-101X	MG RESISTOR	100Ω 1/16W J	
C970	NBE41AM-476X	TA E CAPACITOR	47uF 10V M		R197	NRSA63J-471X	MG RESISTOR	470Ω 1/16W J	
C971	NCB31EK-473X	C CAPACITOR	0.047uF 25V K		R301	NRSA63J-512X	MG RESISTOR	5.1kΩ 1/16W J	ADV7380J
C980	NCB31CK-104X	C CAPACITOR	0.1uF 16V K		R302	NRSA63J-0R0X	MG RESISTOR	0Ω 1/16W J	
C981	NCB31CK-104X	C CAPACITOR	0.1uF 16V K		R304	NRSA63J-473X	MG RESISTOR	47kΩ 1/16W J	
R2	NRSA63J-102X	MG RESISTOR	1kΩ 1/16W J		R305	NRSA63J-103X	MG RESISTOR	10kΩ 1/16W J	
R3	NRSA63J-102X	MG RESISTOR	1kΩ 1/16W J		R306	NRSA63J-273X	MG RESISTOR	27kΩ 1/16W J	
R4	NRSA63J-0R0X	MG RESISTOR	0Ω 1/16W J		R307	NRSA63J-100X	MG RESISTOR	10Ω 1/16W J	
R5	NRSA63J-330X	MG RESISTOR	33Ω 1/16W J		R308	NRSA63J-222X	MG RESISTOR	2.2kΩ 1/16W J	
R6	NRSA63J-330X	MG RESISTOR	33Ω 1/16W J		R323	NRSA63J-473X	MG RESISTOR	47kΩ 1/16W J	
R7	NRSA63J-0R0X	MG RESISTOR	0Ω 1/16W J		R324	NRSA63J-0R0X	MG RESISTOR	0Ω 1/16W J	
R8	NRSA63J-332X	MG RESISTOR	3.3kΩ 1/16W J		R325	NRSA63J-102X	MG RESISTOR	1kΩ 1/16W J	
R9	NRSA63J-473X	MG RESISTOR	47kΩ 1/16W J		R326	NRSA63J-101X	MG RESISTOR	100Ω 1/16W J	
R10	NRSA63J-472X	MG RESISTOR	4.7kΩ 1/16W J		R327	NRSA63J-0R0X	MG RESISTOR	0Ω 1/16W J	
R11	NRSA63J-472X	MG RESISTOR	4.7kΩ 1/16W J		R329	NRSA63J-102X	MG RESISTOR	1kΩ 1/16W J	
R12	NRS181J-120X	MG RESISTOR	12Ω 1/8W J		R330	NRSA63J-102X	MG RESISTOR	1kΩ 1/16W J	
R13	NRS181J-120X	MG RESISTOR	12Ω 1/8W J		R333	NRSA63J-473X	MG RESISTOR	47kΩ 1/16W J	
R81	NRSA63J-153X	MG RESISTOR	15kΩ 1/16W J	ADV7380J	R334	NRSA63J-0R0X	MG RESISTOR	0Ω 1/16W J	
R81	NRSA63J-123X	MG RESISTOR	12kΩ 1/16W J	,DV7300J DV7304UI, DV7305U, DV7305U, N,DV7305 UT,DV730 5A,DV730 6U,DV730 6UN,DV73 06UT,DV7 306A,DV7 388UF	R335	NRSA63J-102X	MG RESISTOR	1kΩ 1/16W J	
R82	NRSA63J-332X	MG RESISTOR	3.3kΩ 1/16W J	ADV7380J	R336	NRSA63J-101X	MG RESISTOR	100Ω 1/16W J	
R82	NRSA63J-512X	MG RESISTOR	5.1kΩ 1/16W J	,DV7300J DV7304UI, DV7305U, DV7305U, N,DV7305 UT,DV730 5A,DV730 6U,DV730 6UN,DV73 06UT,DV7 306A,DV7 388UF	R337	NRSA63J-0R0X	MG RESISTOR	0Ω 1/16W J	
R91	NRSA63J-153X	MG RESISTOR	15kΩ 1/16W J	ADV7380J	R339	NRSA63J-102X	MG RESISTOR	1kΩ 1/16W J	
R91	NRSA63J-123X	MG RESISTOR	12kΩ 1/16W J	,DV7300J DV7304UI, DV7305U, DV7305U, N,DV7305 UT,DV730 5A,DV730 6U,DV730 6UN,DV73 06UT,DV7 306A,DV7 388UF	R340	NRSA63J-102X	MG RESISTOR	1kΩ 1/16W J	
R92	NRSA63J-332X	MG RESISTOR	3.3kΩ 1/16W J	ADV7380J	R343	NRSA63J-473X	MG RESISTOR	47kΩ 1/16W J	
R92	NRSA63J-512X	MG RESISTOR	5.1kΩ 1/16W J	,DV7300J DV7304UI, DV7305U, DV7305U, N,DV7305 UT,DV730 5A,DV730 6U,DV730 6UN,DV73 06UT,DV7 306A,DV7 388UF	R344	NRSA63J-0R0X	MG RESISTOR	0Ω 1/16W J	
R141	NRSA63J-473X	MG RESISTOR	47kΩ 1/16W J	ADV7380J	R345	NRSA63J-102X	MG RESISTOR	1kΩ 1/16W J	
R142	NRSA63J-0R0X	MG RESISTOR	0Ω 1/16W J	,DV7300J DV7304UI, DV7305U, DV7305U, N,DV7305 UT,DV730 5A,DV730 6U,DV730 6UN,DV73 06UT,DV7 306A,DV7 388UF	R346	NRSA63J-101X	MG RESISTOR	100Ω 1/16W J	
R151	NRSA63J-473X	MG RESISTOR	47kΩ 1/16W J	ADV7380J	R347	NRSA63J-0R0X	MG RESISTOR	0Ω 1/16W J	
					R349	NRSA63J-102X	MG RESISTOR	1kΩ 1/16W J	
					R350	NRSA63J-102X	MG RESISTOR	1kΩ 1/16W J	
					R353	NRSA63J-473X	MG RESISTOR	47kΩ 1/16W J	
					R354	NRSA63J-0R0X	MG RESISTOR	0Ω 1/16W J	
					R355	NRSA63J-102X	MG RESISTOR	1kΩ 1/16W J	
					R356	NRSA63J-101X	MG RESISTOR	100Ω 1/16W J	
					R357	NRSA63J-0R0X	MG RESISTOR	0Ω 1/16W J	
					R359	NRSA63J-102X	MG RESISTOR	1kΩ 1/16W J	
					R360	NRSA63J-102X	MG RESISTOR	1kΩ 1/16W J	
					R371	NRSA63J-102X	MG RESISTOR	1kΩ 1/16W J	ADV7380J
					R371	NRSA63J-0R0X	MG RESISTOR	0Ω 1/16W J	DV7300J, DV7304UI, DV7305U, DV7305U, N,DV7305 UT,DV730 5A,DV730 6U,DV730 6UN,DV73 06UT,DV7 306A,DV7 388UF
					R372	NRSA63J-102X	MG RESISTOR	1kΩ 1/16W J	ADV7380J
					R372	NRSA63J-0R0X	MG RESISTOR	0Ω 1/16W J	DV7300J, DV7304UI, DV7305U, DV7305U, N,DV7305 UT,DV730 5A,DV730 6U,DV730 6UN,DV73 06UT,DV7 306A,DV7 388UF
					R373	NRSA63J-104X	MG RESISTOR	100kΩ 1/16W J	ADV7380J
					R374	NRSA63J-104X	MG RESISTOR	100kΩ 1/16W J	ADV7380J
					R375	NRSA63J-243X	MG RESISTOR	24kΩ 1/16W J	ADV7380J
					R376	NRSA63J-243X	MG RESISTOR	24kΩ 1/16W J	ADV7380J
					R377	NRSA63J-363X	MG RESISTOR	36kΩ 1/16W J	ADV7380J
					R378	NRSA63J-363X	MG RESISTOR	36kΩ 1/16W J	ADV7380J
					R381	NRSA63J-102X	MG RESISTOR	1kΩ 1/16W J	ADV7380J



△ Symbol No.	Part No.	Part Name	Description	Local	△ Symbol No.	Part No.	Part Name	Description	Local
R381	NRSA63J-0R0X	MG RESISTOR	0Ω 1/16W J	DV7300J, DV7304UI, DV7305U, DV7305U N,DV7305 UT,DV730 5A,DV730 6U,DV730 6UN,DV73 06UT,DV7 306A,DV7 388UF	R727	NRSA63J-562X	MG RESISTOR	5.6kΩ 1/16W J	
R382	NRSA63J-102X	MG RESISTOR	1kΩ 1/16W J	ADV7380J	R728	NRSA63J-472X	MG RESISTOR	4.7kΩ 1/16W J	
R382	NRSA63J-0R0X	MG RESISTOR	0Ω 1/16W J	DV7300J, DV7304UI, DV7305U, DV7305U N,DV7305 UT,DV730 5A,DV730 6U,DV730 6UN,DV73 06UT,DV7 306A,DV7 388UF	R729	NRSA63J-0R0X	MG RESISTOR	0Ω 1/16W J	
R383	NRSA63J-104X	MG RESISTOR	100kΩ 1/16W J	ADV7380J	R735	NRSA63J-0R0X	MG RESISTOR	0Ω 1/16W J	
R384	NRSA63J-104X	MG RESISTOR	100kΩ 1/16W J	ADV7380J	R738	NRSA63J-472X	MG RESISTOR	4.7kΩ 1/16W J	
R385	NRSA63J-243X	MG RESISTOR	24kΩ 1/16W J	ADV7380J	R739	NRSA63J-472X	MG RESISTOR	4.7kΩ 1/16W J	
R386	NRSA63J-243X	MG RESISTOR	24kΩ 1/16W J	ADV7380J	R744	NRSA63J-0R0X	MG RESISTOR	0Ω 1/16W J	
R387	NRSA63J-363X	MG RESISTOR	36kΩ 1/16W J	ADV7380J	R745	NRSA63J-106X	MG RESISTOR	10MΩ 1/16W J	
R388	NRSA63J-363X	MG RESISTOR	36kΩ 1/16W J	ADV7380J	R746	NRSA63J-473X	MG RESISTOR	47kΩ 1/16W J	
R390	NRSA63J-2R2X	MG RESISTOR	2.2Ω 1/16W J	ADV7380J	R747	NRSA63J-102X	MG RESISTOR	1kΩ 1/16W J	
R401	NRSA63J-471X	MG RESISTOR	470Ω 1/16W J		R749	NRS181J-103X	MG RESISTOR	10kΩ 1/8W J	ADV7380J, DV7304UI, DV7305U, DV7305U N,DV7305 UT,DV730 5A,DV730 6U,DV730 6UN,DV73 06UT,DV7 306A,DV7 388UF
R402	NRSA63J-100X	MG RESISTOR	10Ω 1/16W J		R750	NRSA63J-103X	MG RESISTOR	10kΩ 1/16W J	DV7300J, DV7304UI, DV7305U, DV7305U N,DV7305 UT,DV730 5A,DV730 6U,DV730 6UN,DV73 06UT,DV7 306A
R403	NRSA63J-471X	MG RESISTOR	470Ω 1/16W J						DV7388UF
R404	NRSA63J-2R2X	MG RESISTOR	2.2Ω 1/16W J		R751	NRSA63J-333X	MG RESISTOR	33kΩ 1/16W J	
R410	NRSA02J-0R0X	MG RESISTOR	0Ω 1/10W J		R752	NRSA63J-223X	MG RESISTOR	22kΩ 1/16W J	ADV7380J
R412	NRSA63D-682X	MG RESISTOR	6.8kΩ 1/16W D		R753	NRSA63J-222X	MG RESISTOR	2.2kΩ 1/16W J	ADV7380J
R413	NRSA63J-100X	MG RESISTOR	10Ω 1/16W J		R755	NRSA63J-103X	MG RESISTOR	10kΩ 1/16W J	
R414	NRSA63J-102X	MG RESISTOR	1kΩ 1/16W J		R756	NRSA63J-222X	MG RESISTOR	2.2kΩ 1/16W J	
R415	NRSA63J-750X	MG RESISTOR	75Ω 1/16W J		R757	NRSA63J-473X	MG RESISTOR	47kΩ 1/16W J	
R416	NRSA63J-0R0X	MG RESISTOR	0Ω 1/16W J		R758	NRSA63J-224X	MG RESISTOR	220kΩ 1/16W J	
R417	NRSA63D-181X	MG RESISTOR	180Ω 1/16W D		R759	NRSA63J-224X	MG RESISTOR	220kΩ 1/16W J	
R421	NRSA63J-101X	MG RESISTOR	100Ω 1/16W J		R760	NRSA63J-472X	MG RESISTOR	4.7kΩ 1/16W J	
R424	NRSA63J-102X	MG RESISTOR	1kΩ 1/16W J		R761	NRSA63J-472X	MG RESISTOR	4.7kΩ 1/16W J	
R425	NRSA63J-473X	MG RESISTOR	47kΩ 1/16W J		R762	NRSA63J-103X	MG RESISTOR	10kΩ 1/16W J	
R426	NRSA63J-682X	MG RESISTOR	6.8kΩ 1/16W J		R763	NRSA63J-103X	MG RESISTOR	10kΩ 1/16W J	
R427	NRSA63J-682X	MG RESISTOR	6.8kΩ 1/16W J		R765	NRSA63J-103X	MG RESISTOR	10kΩ 1/16W J	
R429	NRSA63J-104X	MG RESISTOR	100kΩ 1/16W J		R767	NRSA63J-0R0X	MG RESISTOR	0Ω 1/16W J	
R431	NRSA63J-101X	MG RESISTOR	100Ω 1/16W J		R768	NRSA63J-0R0X	MG RESISTOR	0Ω 1/16W J	
R434	NRSA63J-102X	MG RESISTOR	1kΩ 1/16W J		R769	NRSA63J-0R0X	MG RESISTOR	0Ω 1/16W J	
R435	NRSA63J-473X	MG RESISTOR	47kΩ 1/16W J		R771	NRSA63J-471X	MG RESISTOR	470Ω 1/16W J	
R436	NRSA63J-682X	MG RESISTOR	6.8kΩ 1/16W J		R774	NRSA63J-472X	MG RESISTOR	4.7kΩ 1/16W J	
R437	NRSA63J-682X	MG RESISTOR	6.8kΩ 1/16W J		R775	NRSA63J-472X	MG RESISTOR	4.7kΩ 1/16W J	
R439	NRSA63J-104X	MG RESISTOR	100kΩ 1/16W J		R776	NRSA63J-472X	MG RESISTOR	4.7kΩ 1/16W J	
R440	NRS181J-0R0X	MG RESISTOR	0Ω 1/8W J		R777	NRSA63J-102X	MG RESISTOR	1kΩ 1/16W J	
R441	NRSA63J-223X	MG RESISTOR	22kΩ 1/16W J		R779	NRSA63J-102X	MG RESISTOR	1kΩ 1/16W J	
R442	NRSA63J-223X	MG RESISTOR	22kΩ 1/16W J		R780	NRSA63J-102X	MG RESISTOR	1kΩ 1/16W J	
R451	NRSA63J-223X	MG RESISTOR	22kΩ 1/16W J		R781	NRSA63J-471X	MG RESISTOR	470Ω 1/16W J	
R452	NRSA63J-223X	MG RESISTOR	22kΩ 1/16W J		R782	NRSA63J-471X	MG RESISTOR	470Ω 1/16W J	
R461	NRS181J-100X	MG RESISTOR	10Ω 1/8W J		R799	NRSA63J-102X	MG RESISTOR	1kΩ 1/16W J	
R463	NRSA63J-100X	MG RESISTOR	10Ω 1/16W J		R801	NRSA63J-101X	MG RESISTOR	100Ω 1/16W J	
R704	NRSA63J-271X	MG RESISTOR	270Ω 1/16W J		R802	NRSA63J-473X	MG RESISTOR	47kΩ 1/16W J	
R705	NRSA63J-271X	MG RESISTOR	270Ω 1/16W J		R803	NRSA63J-223X	MG RESISTOR	22kΩ 1/16W J	
R706	NRSA63J-103X	MG RESISTOR	10kΩ 1/16W J		R804	NRSA63J-104X	MG RESISTOR	100kΩ 1/16W J	
R708	NRS181J-271X	MG RESISTOR	270Ω 1/8W J		R805	NRSA63J-103X	MG RESISTOR	10kΩ 1/16W J	
R709	NRSA63J-562X	MG RESISTOR	5.6kΩ 1/16W J		R806	NRSA63J-104X	MG RESISTOR	100kΩ 1/16W J	
R710	NRSA63J-102X	MG RESISTOR	1kΩ 1/16W J		R807	NRSA63J-331X	MG RESISTOR	330Ω 1/16W J	
R711	NRSA63J-103X	MG RESISTOR	10kΩ 1/16W J		R808	NRSA63J-223X	MG RESISTOR	22kΩ 1/16W J	
R712	NRSA63J-104X	MG RESISTOR	100kΩ 1/16W J		R809	NRSA63J-101X	MG RESISTOR	100Ω 1/16W J	
R713	NRSA63J-103X	MG RESISTOR	10kΩ 1/16W J		R810	NRSA63J-473X	MG RESISTOR	47kΩ 1/16W J	
R714	NRSA63J-104X	MG RESISTOR	100kΩ 1/16W J		R821	NRSA63J-100X	MG RESISTOR	10Ω 1/16W J	
R717	NRSA63J-331X	MG RESISTOR	330Ω 1/16W J		R822	NRSA63J-471X	MG RESISTOR	470Ω 1/16W J	
R719	NRSA63J-103X	MG RESISTOR	10kΩ 1/16W J		R825	NRSA63J-223X	MG RESISTOR	22kΩ 1/16W J	
R720	NRSA63J-0R0X	MG RESISTOR	0Ω 1/16W J		R832	NRSA63J-271X	MG RESISTOR	270Ω 1/16W J	ADV7380J
R721	NRSA02J-0R0X	MG RESISTOR	0Ω 1/10W J		R842	NRSA63J-102X	MG RESISTOR	1kΩ 1/16W J	
R722	NRSA63J-103X	MG RESISTOR	10kΩ 1/16W J		R843	NRSA63J-102X	MG RESISTOR	1kΩ 1/16W J	
R723	NRSA63J-473X	MG RESISTOR	47kΩ 1/16W J		R844	NRSA63J-102X	MG RESISTOR	1kΩ 1/16W J	
R724	NRSA63J-103X	MG RESISTOR	10kΩ 1/16W J		R846	NRSA63J-471X	MG RESISTOR	470Ω 1/16W J	
R725	NRSA63J-224X	MG RESISTOR	220kΩ 1/16W J		R847	NRSA63J-471X	MG RESISTOR	470Ω 1/16W J	
R726	NRSA63J-224X	MG RESISTOR	220kΩ 1/16W J		R848	NRSA63J-331X	MG RESISTOR	330Ω 1/16W J	

△ Symbol No.	Part No.	Part Name	Description	Local	△ Symbol No.	Part No.	Part Name	Description	Local	
R851	NRSA63J-103X	MG RESISTOR	10kΩ 1/16W J	DV7304UI, DV7305U, DV7305U N,DV7305 UT,DV730 5A,DV730 6U,DV730 6UN,DV73 06UT,DV7 306A,DV7 388UF		R973	NRSA63J-223X	MG RESISTOR	22kΩ 1/16W J	
R860	NRS181J-561X	MG RESISTOR	560Ω 1/8W J		R974	NRSA63J-223X	MG RESISTOR	22kΩ 1/16W J		
R861	NRSA63J-102X	MG RESISTOR	1kΩ 1/16W J		R975	NRSA63J-223X	MG RESISTOR	22kΩ 1/16W J		
R862	NRSA63J-222X	MG RESISTOR	2.2kΩ 1/16W J		R976	NRSA63J-563X	MG RESISTOR	56kΩ 1/16W J		
R881	NRSA63J-473X	MG RESISTOR	47kΩ 1/16W J		R977	NRSA63J-183X	MG RESISTOR	18kΩ 1/16W J		
R882	NRSA63J-103X	MG RESISTOR	10kΩ 1/16W J		R981	NRS181J-222X	MG RESISTOR	2.2kΩ 1/8W J		
R883	NRSA63J-104X	MG RESISTOR	100kΩ 1/16W J		R982	NRS181J-222X	MG RESISTOR	2.2kΩ 1/8W J		
R885	NRSA63J-473X	MG RESISTOR	47kΩ 1/16W J		RA721	NRZ0065-222X	NET RESISTOR	2.2kΩ		
R886	NRSA63J-472X	MG RESISTOR	4.7kΩ 1/16W J		RA722	NRZ0065-222X	NET RESISTOR	2.2kΩ		
R887	NRSA63J-103X	MG RESISTOR	10kΩ 1/16W J		RA723	NRZ0065-472X	MG RESISTOR	4.7kΩ		
R891	NRSA63J-473X	MG RESISTOR	47kΩ 1/16W J	ADV7380J ,DV7304UI ,DV7305U, DV7305U N,DV7305 UT,DV730 5A,DV730 6U,DV730 6UN,DV73 06UT,DV7 306A,DV7 388UF		L1	QQL244J-4R7Z	P COIL	4.7uH J	
R892	NRSA63J-102X	MG RESISTOR	1kΩ 1/16W J	ADV7380J ,DV7304UI ,DV7305U, DV7305U N,DV7305 UT,DV730 5A,DV730 6U,DV730 6UN,DV73 06UT,DV7 306A,DV7 388UF		L401	NQR0007-002X	FERRITE BEADS		
R894	NRSA63J-0R0X	MG RESISTOR	0Ω 1/16W J	ADV7380J ,DV7304UI ,DV7305U, DV7305U N,DV7305 UT,DV730 5A,DV730 6U,DV730 6UN,DV73 06UT,DV7 306A,DV7 388UF		L411	NQL114K-470X	INDUCTOR	47uH K	
R901	QRE142J-102X	C RESISTOR	1kΩ 1/4W J		L421	NQR0007-002X	FERRITE BEADS			
R902	NRSA63J-912X	MG RESISTOR	9.1kΩ 1/16W J		L430	NQR0007-002X	FERRITE BEADS			
R903	NRSA63J-472X	MG RESISTOR	4.7kΩ 1/16W J		L431	NQR0007-002X	FERRITE BEADS			
R905	NRSA63J-123X	MG RESISTOR	12kΩ 1/16W J		L722	NQL114K-470X	INDUCTOR	47uH K		
R906	NRSA63J-682X	MG RESISTOR	6.8kΩ 1/16W J		L901	QQR1695-001	CHOKO COIL			
R907	NRSA63J-102X	MG RESISTOR	1kΩ 1/16W J		L902	NQL56CK-220X	COIL	22uH K		
R909	NRSA63J-473X	MG RESISTOR	47kΩ 1/16W J		L922	NQLE74M-100X	COIL	10uH M		
R910	NRSA63J-222X	MG RESISTOR	2.2kΩ 1/16W J		L924	NQL56CK-220X	COIL	22uH K		
R914	NRS181J-221X	MG RESISTOR	220Ω 1/8W J		L925	NQL71EM-330X	COIL	33uH M		
R919	NRS181J-0R0X	MG RESISTOR	0Ω 1/8W J		L966	NQR0536-001X	CHOKO COIL			
R920	NRS181J-0R0X	MG RESISTOR	0Ω 1/8W J		CN421	QGA2006C1-04	CONNECTOR	W-B (1-4)		
R921	NRS181J-0R0X	MG RESISTOR	0Ω 1/8W J		CN701	QNZ0605-002	CAR CONNECTOR			
R922	NRSA63J-153X	MG RESISTOR	15kΩ 1/16W J		CN821	QGA2001C1-02	CONNECTOR	W-B (1-2)		
R923	NRSA63D-333X	MG RESISTOR	33kΩ 1/16W D		CN831	QGA2001C1-02	CONNECTOR	W-B (1-2)	ADV7380J	
R924	NRSA63D-822X	MG RESISTOR	8.2kΩ 1/16W D		CN901	QNZ0607-001	CAR CONNECTOR			
R925	NRSA63J-154X	MG RESISTOR	150kΩ 1/16W J		CN961	QGB2027M5-30S	CONNECTOR	B-B (1-30)		
R926	NRSA63D-304X	MG RESISTOR	300kΩ 1/16W D		CN962	QGF0534F3-50X	CONNECTOR	FFC/FPC (1-50)		
R927	NRSA63J-0R0X	MG RESISTOR	0Ω 1/16W J		CN963	QGB2027L9-30X	CONNECTOR	B-B (1-30)		
R928	NRSA63J-473X	MG RESISTOR	47kΩ 1/16W J		CN964	QGB1214K1-08S	CONNECTOR	B-B (1-8)		
R930	NRS181J-221X	MG RESISTOR	220Ω 1/8W J		CN965	QGB1214J1-08S	CONNECTOR	B-B (1-8)		
R941	NRSA63J-0R0X	MG RESISTOR	0Ω 1/16W J		CN966	QNZ0906-001	CONNECTOR			
R942	NRSA63J-153X	MG RESISTOR	15kΩ 1/16W J		J331	QNN0805-001	MODULAR JACK		ADV7380J	
R961	NRSA63J-103X	MG RESISTOR	10kΩ 1/16W J		J331	QNN0804-001	MODULAR JACK		DV7300J, DV7304UI, DV7305U, DV7305U N,DV7305 UT,DV730 5A,DV730 6U,DV730 6UN,DV73 06UT,DV7 306A,DV7 388UF	
R962	NRSA63J-101X	MG RESISTOR	100Ω 1/16W J		J801	QNZ0095-001	CONNECTOR			
R967	NRS181J-0R0X	MG RESISTOR	0Ω 1/8W J		K401	NQR0007-002X	FERRITE BEADS			
R969	NRS181J-0R0X	MG RESISTOR	0Ω 1/8W J		K402	NQR0007-002X	FERRITE BEADS			
R972	NRSA63J-0R0X	MG RESISTOR	0Ω 1/16W J		K411	NQR0201-004X	FERRITE BEADS			
					K831	NQR0007-002X	FERRITE BEADS		ADV7380J	
					PP1	QZW0010-001	STYLE PIN		ADV7380J	
					PP2	QZW0010-001	STYLE PIN			
					PP3	QZW0010-001	STYLE PIN			
					S701	QSW0451-001	DETECT SW			
					S702	QSW0451-001	DETECT SW			
					S723	QSW0648-001Z	TACT SW			
					TH721	NAD0028-103X	N THERMISTOR	10kΩ		
					△ TU21	QAU0484-001	TUNER PACK			
					W21	QAM0105-003	CAR CABLE			
					X721	QAX0916-001Z	CRYSTAL			
					X722	QAX0401-001	CRYSTAL	32.768KHz		
<b>Switch board</b>										
<b>(ADV7380/DV7300/DV7304/DV7305/ DV7306/DV7388)</b>										
<b>Block No. [0][2]</b>										
△ Symbol No.	Part No.	Part Name	Description	Local						
IC601	PT6523LQ-L	LCD DRIVER								



△ Symbol No.	Part No.	Part Name	Description	Local	△ Symbol No.	Part No.	Part Name	Description	Local
Q782	RT1P141C-X	DIGI TRANSISTOR			D707	UDZW6.2B-X	Z DIODE		
Q782	or UN2111-X	TRANSISTOR			D707	or MA8062/M/-X	Z DIODE		
Q783	RT1P141C-X	DIGI TRANSISTOR			D709	UDZW6.2B-X	Z DIODE		
Q783	or UN2111-X	TRANSISTOR			D709	or MA8062/M/-X	Z DIODE		
Q784	RT1P141C-X	DIGI TRANSISTOR			D710	UDZW6.2B-X	Z DIODE		
Q784	or UN2111-X	TRANSISTOR			D710	or MA8062/M/-X	Z DIODE		
Q821	RT1N141C-X	DIGI TRANSISTOR			D711	UDZW6.2B-X	Z DIODE		
Q821	or UN2211-X	TRANSISTOR			D711	or MA8062/M/-X	Z DIODE		
Q822	RT1P141C-X	DIGI TRANSISTOR			D716	UDZW5.1B-X	SB DIODE		
Q822	or UN2111-X	TRANSISTOR			D716	or MA8051/M/-X	Z DIODE		
Q823	2SC4485/ST/-T	TRANSISTOR			D718	LHQ974/LM/-X	LED		
Q861	2SA1530A/R/-X	TRANSISTOR			D720	LHQ974/LM/-X	LED		
Q861	or 2SB709A/R/-X	TRANSISTOR			D731	1SS355W-X	DIODE		
Q881	2SC3928A/R/-X	TRANSISTOR			D731	or MA111-X	SI DIODE		
Q881	or 2SD601A/R/-X	TRANSISTOR			D732	UDZW6.2B-X	Z DIODE		
Q885	RT1N141C-X	DIGI TRANSISTOR			D732	or MA8062/M/-X	Z DIODE		
Q885	or UN2211-X	TRANSISTOR			D781	MC2836-X	DIODE		
Q891	RT1N141C-X	DIGI TRANSISTOR			D781	or MA152WA-X	DIODE		
Q891	or UN2211-X	TRANSISTOR			D782	MC2836-X	DIODE		
Q901	RT1P141C-X	DIGI TRANSISTOR			D782	or MA152WA-X	DIODE		
Q901	or UN2111-X	TRANSISTOR			D783	UDZW11B-X	Z DIODE		
Q902	RT1N141C-X	DIGI TRANSISTOR			D783	or MA8110/M/-X	Z DIODE		
Q902	or UN2211-X	TRANSISTOR			D784	UDZW11B-X	Z DIODE		
Q903	2SA1530A/R/-X	TRANSISTOR			D784	or MA8110/M/-X	Z DIODE		
Q903	or 2SB709A/R/-X	TRANSISTOR			D785	1SS355W-X	DIODE		
Q904	RT1N141C-X	DIGI TRANSISTOR			D785	or MA111-X	SI DIODE		
Q904	or UN2211-X	TRANSISTOR			D801	CRS03-W	SB DIODE		
Q922	RSQ035P03-W	MOS FET			D801	or RB160M-30-X	SB DIODE		
Q923	RT1N141C-X	DIGI TRANSISTOR			D801	or MA22D23-X	SB DIODE		
Q923	or UN2211-X	TRANSISTOR			D821	UDZW12B-X	Z DIODE		
Q976	RT1N441C-X	TRANSISTOR			D821	or MA8120/M/-X	Z DIODE		
Q976	or UN2213-X	DIGI TRANSISTOR			D831	UDZW6.2B-X	Z DIODE		
Q977	2SA1530A/R/-X	TRANSISTOR							DV7301E, DV7301E U,DV7302 E,DV7302 EU
Q977	or 2SB709A/R/-X	TRANSISTOR							
D1	1SS355W-X	DIODE							
D1	or MA111-X	SI DIODE			D831	or MA8062/M/-X	Z DIODE		DV7301E, DV7301E U,DV7302 E,DV7302 EU
D2	1SS355W-X	DIODE							
D2	or MA111-X	SI DIODE							
D192	1SS355W-X	DIODE							
D192	or MA111-X	SI DIODE			D861	MA111-X	SI DIODE		
D301	UDZW11B-X	Z DIODE			D861	or 1SS355W-X	DIODE		
D301	or MA8110/M/-X	Z DIODE			D862	UDZW4.7B-X	Z DIODE		
D302	1SS355W-X	DIODE			D862	or MA8047/M/-X	Z DIODE		
D302	or MA111-X	SI DIODE			D885	1SS355W-X	DIODE		
D305	CRS03-W	SB DIODE			D885	or MA111-X	SI DIODE		
D305	or RB160M-30-X	SB DIODE			D891	MC2836-X	DIODE		
D305	or MA22D23-X	SB DIODE			D891	or MA152WA-X	DIODE		
D308	CRS03-W	SB DIODE			△ D901	1N5401-F64	SI DIODE		
D308	or RB160M-30-X	SB DIODE			△ D901	or 1N5401-TU-15	SI DIODE		
D308	or MA22D23-X	SB DIODE			D902	GS1J-X	DIODE		DV7301E, DV7301E U,DV7302 E,DV7302 EU
D324	1SS355W-X	DIODE							
D324	or MA111-X	SI DIODE							
D334	1SS355W-X	DIODE							
D334	or MA111-X	SI DIODE			D903	1SS355W-X	DIODE		
D344	1SS355W-X	DIODE			D903	or MA111-X	SI DIODE		
D344	or MA111-X	SI DIODE			D906	UDZW5.1B-X	SB DIODE		
D354	1SS355W-X	DIODE			D906	or MA8051/M/-X	Z DIODE		
D354	or MA111-X	SI DIODE			D921	RB051L-40-X	SB DIODE		
D401	CRS03-W	SB DIODE			D922	RB051L-40-X	SB DIODE		
D401	or RB160M-30-X	SB DIODE			D923	CRS03-W	SB DIODE		
D401	or MA22D23-X	SB DIODE			D923	or RB160M-30-X	SB DIODE		
D421	1SS355W-X	DIODE			D923	or MA22D23-X	SB DIODE		
D421	or MA111-X	SI DIODE			D924	CRS03-W	SB DIODE		
D431	1SS355W-X	DIODE			D924	or RB160M-30-X	SB DIODE		
D431	or MA111-X	SI DIODE			D924	or MA22D23-X	SB DIODE		
D701	UDZW6.2B-X	Z DIODE			D925	CRS03-W	SB DIODE		
D701	or MA8062/M/-X	Z DIODE			D925	or RB160M-30-X	SB DIODE		
D702	UDZW6.2B-X	Z DIODE			D925	or MA22D23-X	SB DIODE		
D702	or MA8062/M/-X	Z DIODE			D981	CRS03-W	SB DIODE		
D703	UDZW6.2B-X	Z DIODE			D981	or RB160M-30-X	SB DIODE		
D703	or MA8062/M/-X	Z DIODE			D981	or MA22D23-X	SB DIODE		
D704	UDZW6.2B-X	Z DIODE			D982	CRS03-W	SB DIODE		
D704	or MA8062/M/-X	Z DIODE			D982	or RB160M-30-X	SB DIODE		
D705	UDZW6.2B-X	Z DIODE			D982	or MA22D23-X	SB DIODE		
D705	or MA8062/M/-X	Z DIODE			D983	LHQ974/LM/-X	LED		
D706	UDZW6.2B-X	Z DIODE			D984	UDZW5.1B-X	SB DIODE		
D706	or MA8062/M/-X	Z DIODE			D984	or MA8051/M/-X	Z DIODE		

△ Symbol No.	Part No.	Part Name	Description	Local	△ Symbol No.	Part No.	Part Name	Description	Local
D985	UDZW5.1B-X	SB DIODE			C451	QEKJ0JM-476Z	E CAPACITOR	47uF 6.3V M	
D985	or MA8051/M-X	Z DIODE			C461	QEKJ1CM-226Z	E CAPACITOR	22uF 16V M	
C1	NCB31CK-104X	C CAPACITOR	0.1uF 16V K		C463	NCF31CZ-104X	C CAPACITOR	0.1uF 16V Z	
C4	NCB31EK-104X	C CAPACITOR	0.1uF 25V K		C464	QEKJ1CM-476Z	E CAPACITOR	47uF 16V M	
C5	QEKJ1CM-476Z	E CAPACITOR	47uF 16V M		C465	NCF31CZ-104X	C CAPACITOR	0.1uF 16V Z	
C6	NCB31EK-104X	C CAPACITOR	0.1uF 25V K		C701	NCB31HK-103X	C CAPACITOR	0.01uF 50V K	
C7	QEKJ1AM-227Z	E CAPACITOR	220uF 10V M		C702	NCB31CK-104X	C CAPACITOR	0.1uF 16V K	
C8	NCB31CK-104X	C CAPACITOR	0.1uF 16V K		C721	NCB31EK-473X	C CAPACITOR	0.047uF 25V K	
C9	NCB31CK-224X	C CAPACITOR	0.22uF 16V K		C722	QEKJ1AM-227Z	E CAPACITOR	220uF 10V M	
C71	QEKJ1CM-106Z	E CAPACITOR	10uF 16V M		C723	NCS31HJ-471X	C CAPACITOR	470pF 50V J	
C72	NCB31HK-331X	C CAPACITOR	330pF 50V K		C724	NCS31HJ-471X	C CAPACITOR	470pF 50V J	
C73	NCB31HK-103X	C CAPACITOR	0.01uF 50V K		C725	QEKJ1AM-227Z	E CAPACITOR	220uF 10V M	
C74	NCS31HJ-561X	C CAPACITOR	560pF 50V J		C728	NDC31HJ-270X	C CAPACITOR	27pF 50V J	
C75	QEKJ0JM-476Z	E CAPACITOR	47uF 6.3V M		C729	NDC31HJ-220X	C CAPACITOR	22pF 50V J	
C76	NCB31HK-103X	C CAPACITOR	0.01uF 50V K		C730	QEKJ0JM-476Z	E CAPACITOR	47uF 6.3V M	
C77	NDC31HJ-330X	C CAPACITOR	33pF 50V J		C731	NCB31CK-103X	C CAPACITOR	0.01uF 16V K	
C78	NDC31HJ-330X	C CAPACITOR	33pF 50V J		C732	QEKJ1AM-227Z	E CAPACITOR	220uF 10V M	
C83	QTE1E57-475Z	E CAPACITOR	4.7uF 25V		C733	NCS31HJ-471X	C CAPACITOR	470pF 50V J	
C93	QTE1E57-475Z	E CAPACITOR	4.7uF 25V		C734	NCB31AK-474X	C CAPACITOR	0.47uF 10V K	
C141	NCB31HK-471X	C CAPACITOR	470pF 50V K		C741	NCB31EK-473X	C CAPACITOR	0.047uF 25V K	
C151	NCB31HK-471X	C CAPACITOR	470pF 50V K		C781	QEKJ0JM-476Z	E CAPACITOR	47uF 6.3V M	
C155	NCB31AK-474X	C CAPACITOR	0.47uF 10V K		C782	QEKJ0JM-476Z	E CAPACITOR	47uF 6.3V M	
C161	QTE1A57-107Z	E CAPACITOR	100uF 10V		C783	QEKJ1CM-476Z	E CAPACITOR	47uF 16V M	
C162	NCB31CK-473X	C CAPACITOR	0.047uF 16V K		C784	QEKJ1CM-476Z	E CAPACITOR	47uF 16V M	
C163	NFV81CM-105X	MF CAPACITOR	1uF 16V M		C802	NCS31HJ-220X	C CAPACITOR	22pF 50V J	
C164	NFV81CM-105X	MF CAPACITOR	1uF 16V M		C803	NCB31CK-473X	C CAPACITOR	0.047uF 16V K	
C165	NFV81CM-105X	MF CAPACITOR	1uF 16V M		C804	NCS31HJ-220X	C CAPACITOR	22pF 50V J	
C166	QTE1C57-106Z	E CAPACITOR	10uF 16V		C821	QEKJ1CM-106Z	E CAPACITOR	10uF 16V M	
C168	QEKJ1HM-225Z	E CAPACITOR	2.2uF 50V M		C822	QEKJ1CM-106Z	E CAPACITOR	10uF 16V M	
C171	QTE1H57-225Z	E CAPACITOR	2.2uF 50V		C823	NCB31HK-103X	C CAPACITOR	0.01uF 50V K	
C172	QTE1H55-225Z	E CAPACITOR	2.2uF 50V		C831	NCS31HJ-101X	C CAPACITOR	100pF 50V J	DV7301E, DV7301E U,DV7302 E,DV7302 EU
C174	QEKJ1HM-225Z	E CAPACITOR	2.2uF 50V M						
C177	QEKJ1HM-225Z	E CAPACITOR	2.2uF 50V M						
C181	QTE1H57-225Z	E CAPACITOR	2.2uF 50V		C881	QEKJ1CM-226Z	E CAPACITOR	22uF 16V M	
C182	QTE1H55-225Z	E CAPACITOR	2.2uF 50V		C885	QEKJ1CM-106Z	E CAPACITOR	10uF 16V M	
C184	QEKJ1HM-225Z	E CAPACITOR	2.2uF 50V M		C892	NCB31CK-104X	C CAPACITOR	0.1uF 16V K	
C187	QEKJ1HM-225Z	E CAPACITOR	2.2uF 50V M		C901	QEZ0843-278	E CAPACITOR	2700uF	
C191	QEKJ0JM-476Z	E CAPACITOR	47uF 6.3V M		C902	QEKJ1HM-225Z	E CAPACITOR	2.2uF 50V M	
C267	QEKJ1CM-106Z	E CAPACITOR	10uF 16V M		C903	QEKJ1CM-106Z	E CAPACITOR	10uF 16V M	
C301	QEKJ1CM-476Z	E CAPACITOR	47uF 16V M		C905	QEKJ1AM-107Z	E CAPACITOR	100uF 10V M	
C302	NCB31HK-103X	C CAPACITOR	0.01uF 50V K		C906	NCF31CZ-104X	C CAPACITOR	0.1uF 16V Z	
C311	NBE21CM-475X	TA E CAPACITOR	4.7uF 16V M		C907	NCB31HK-103X	C CAPACITOR	0.01uF 50V K	
C312	QTE1C57-476Z	E CAPACITOR	47uF 16V		C908	QEKJ1AM-227Z	E CAPACITOR	220uF 10V M	
C313	NCB31HK-103X	C CAPACITOR	0.01uF 50V K		C909	QEKJ1CM-107Z	E CAPACITOR	100uF 16V M	
C314	QEKJ1HM-225Z	E CAPACITOR	2.2uF 50V M		C910	NCB31HK-102X	C CAPACITOR	1000pF 50V K	
C315	QEKJ1CM-226Z	E CAPACITOR	22uF 16V M		C911	NCB31HK-102X	C CAPACITOR	1000pF 50V K	
C316	NCB31HK-103X	C CAPACITOR	0.01uF 50V K		C912	QEKJ1CM-226Z	E CAPACITOR	22uF 16V M	
C326	QEKJ1EM-475Z	E CAPACITOR	4.7uF 25V M		C913	NCB31EK-473X	C CAPACITOR	0.047uF 25V K	
C328	NFV81CM-105X	MF CAPACITOR	1uF 16V M		C921	QERF0JM-337Z	E CAPACITOR	330uF 6.3V M	
C329	NCS31HJ-101X	C CAPACITOR	100pF 50V J		C922	QEKJ0JM-227Z	E CAPACITOR	220uF 6.3V M	
C331	NCB31CK-223X	C CAPACITOR	0.022uF 16V K		C923	QEKJ0JM-107Z	E CAPACITOR	100uF 6.3V M	
C336	QEKJ1EM-475Z	E CAPACITOR	4.7uF 25V M		C926	QEXF1AM-476Z	E CAPACITOR	47uF 10V M	
C338	NFV81CM-105X	MF CAPACITOR	1uF 16V M		C927	QEZ0595-477Z	E CAPACITOR	470uF 25V M	
C339	NCS31HJ-101X	C CAPACITOR	100pF 50V J		C928	NCF31CZ-104X	C CAPACITOR	0.1uF 16V Z	
C346	QEKJ1EM-475Z	E CAPACITOR	4.7uF 25V M		C929	NCB31HK-472X	C CAPACITOR	4700pF 50V K	
C348	NFV81CM-105X	MF CAPACITOR	1uF 16V M		C930	NCF31CZ-104X	C CAPACITOR	0.1uF 16V Z	
C349	NCS31HJ-101X	C CAPACITOR	100pF 50V J		C961	QEKJ0JM-227Z	E CAPACITOR	220uF 6.3V M	
C356	QEKJ1EM-475Z	E CAPACITOR	4.7uF 25V M		C962	NBE41AM-476X	TA E CAPACITOR	47uF 10V M	
C358	NFV81CM-105X	MF CAPACITOR	1uF 16V M		C963	QEKJ1AM-227Z	E CAPACITOR	220uF 10V M	
C359	NCS31HJ-101X	C CAPACITOR	100pF 50V J		C964	QERF0JM-337Z	E CAPACITOR	330uF 6.3V M	
C401	NCS31HJ-220X	C CAPACITOR	22pF 50V J		C965	QEKJ1AM-227Z	E CAPACITOR	220uF 10V M	
C402	NCB31HK-103X	C CAPACITOR	0.01uF 50V K		C966	NCB31CK-104X	C CAPACITOR	0.1uF 16V K	
C403	NCB31HK-103X	C CAPACITOR	0.01uF 50V K		C967	NCB31CK-104X	C CAPACITOR	0.1uF 16V K	
C404	QEKJ0JM-107Z	E CAPACITOR	100uF 6.3V M		C968	NCB31EK-473X	C CAPACITOR	0.047uF 25V K	
C405	NCS31HJ-220X	C CAPACITOR	22pF 50V J		C969	NCB31EK-473X	C CAPACITOR	0.047uF 25V K	
C406	NCB31HK-103X	C CAPACITOR	0.01uF 50V K		C970	NBE41AM-476X	TA E CAPACITOR	47uF 10V M	
C411	QEKJ1AM-227Z	E CAPACITOR	220uF 10V M		C971	NCB31EK-473X	C CAPACITOR	0.047uF 25V K	
C412	NCB31EK-473X	C CAPACITOR	0.047uF 25V K		C980	NCB31CK-104X	C CAPACITOR	0.1uF 16V K	
C413	QCZ0202-155Z	C CAPACITOR	1.5uF 25V Z		C981	NCB31CK-104X	C CAPACITOR	0.1uF 16V K	
C414	QERF0JM-337Z	E CAPACITOR	330uF 6.3V M						
C423	QEKJ1EM-475Z	E CAPACITOR	4.7uF 25V M		R2	NRSA63J-102X	MG RESISTOR	1kΩ 1/16W J	
C424	NCS31HJ-151X	C CAPACITOR	150pF 50V J		R3	NRSA63J-102X	MG RESISTOR	1kΩ 1/16W J	
C428	NBE21CM-475X	TA E CAPACITOR	4.7uF 16V M		R4	NRSA63J-0R0X	MG RESISTOR	0Ω 1/16W J	
C433	QEKJ1EM-475Z	E CAPACITOR	4.7uF 25V M		R5	NRSA63J-330X	MG RESISTOR	33Ω 1/16W J	
C434	NCS31HJ-151X	C CAPACITOR	150pF 50V J		R6	NRSA63J-330X	MG RESISTOR	33Ω 1/16W J	
C438	NBE21CM-475X	TA E CAPACITOR	4.7uF 16V M		R7	NRSA63J-0R0X	MG RESISTOR	0Ω 1/16W J	
C441	QEKJ0JM-476Z	E CAPACITOR	47uF 6.3V M		R8	NRSA63J-332X	MG RESISTOR	3.3kΩ 1/16W J	

△ Symbol No.	Part No.	Part Name	Description	Local	△ Symbol No.	Part No.	Part Name	Description	Local
R9	NRSA63J-473X	MG RESISTOR	47kΩ 1/16W J		R425	NRSA63J-473X	MG RESISTOR	47kΩ 1/16W J	
R10	NRSA63J-472X	MG RESISTOR	4.7kΩ 1/16W J		R426	NRSA63J-682X	MG RESISTOR	6.8kΩ 1/16W J	
R11	NRSA63J-472X	MG RESISTOR	4.7kΩ 1/16W J		R427	NRSA63J-682X	MG RESISTOR	6.8kΩ 1/16W J	
R12	NRS181J-120X	MG RESISTOR	12Ω 1/8W J		R429	NRSA63J-104X	MG RESISTOR	100kΩ 1/16W J	
R13	NRS181J-120X	MG RESISTOR	12Ω 1/8W J		R431	NRSA63J-101X	MG RESISTOR	100Ω 1/16W J	
R14	NRSA63J-0R0X	MG RESISTOR	0Ω 1/16W J		R434	NRSA63J-102X	MG RESISTOR	1kΩ 1/16W J	
R71	NRSA63J-101X	MG RESISTOR	100Ω 1/16W J		R435	NRSA63J-473X	MG RESISTOR	47kΩ 1/16W J	
R72	NRSA63J-202X	MG RESISTOR	2kΩ 1/16W J		R436	NRSA63J-682X	MG RESISTOR	6.8kΩ 1/16W J	
R81	NRSA63J-123X	MG RESISTOR	12kΩ 1/16W J		R437	NRSA63J-682X	MG RESISTOR	6.8kΩ 1/16W J	
R82	NRSA63J-512X	MG RESISTOR	5.1kΩ 1/16W J		R439	NRSA63J-104X	MG RESISTOR	100kΩ 1/16W J	
R91	NRSA63J-123X	MG RESISTOR	12kΩ 1/16W J		R440	NRS181J-0R0X	MG RESISTOR	0Ω 1/8W J	
R92	NRSA63J-512X	MG RESISTOR	5.1kΩ 1/16W J		R441	NRSA63J-223X	MG RESISTOR	22kΩ 1/16W J	
R141	NRSA63J-473X	MG RESISTOR	47kΩ 1/16W J		R442	NRSA63J-223X	MG RESISTOR	22kΩ 1/16W J	
R142	NRSA63J-0R0X	MG RESISTOR	0Ω 1/16W J		R451	NRSA63J-223X	MG RESISTOR	22kΩ 1/16W J	
R151	NRSA63J-473X	MG RESISTOR	47kΩ 1/16W J		R452	NRSA63J-223X	MG RESISTOR	22kΩ 1/16W J	
R152	NRSA63J-0R0X	MG RESISTOR	0Ω 1/16W J		R461	NRS181J-100X	MG RESISTOR	10Ω 1/8W J	
R155	NRSA63J-471X	MG RESISTOR	470Ω 1/16W J		R463	NRSA63J-100X	MG RESISTOR	10Ω 1/16W J	
R161	NRSA63J-0R0X	MG RESISTOR	0Ω 1/16W J		R704	NRSA63J-271X	MG RESISTOR	270Ω 1/16W J	
R162	NRSA63J-473X	MG RESISTOR	47kΩ 1/16W J		R705	NRSA63J-271X	MG RESISTOR	270Ω 1/16W J	
R163	NRSA63J-473X	MG RESISTOR	47kΩ 1/16W J		R706	NRSA63J-103X	MG RESISTOR	10kΩ 1/16W J	
R164	NRSA63J-473X	MG RESISTOR	47kΩ 1/16W J		R708	NRS181J-271X	MG RESISTOR	270Ω 1/8W J	
R165	NRSA63J-473X	MG RESISTOR	47kΩ 1/16W J		R709	NRSA63J-562X	MG RESISTOR	5.6kΩ 1/16W J	
R191	NRSA63J-0R0X	MG RESISTOR	0Ω 1/16W J		R710	NRSA63J-102X	MG RESISTOR	1kΩ 1/16W J	
R192	NRSA63J-821X	MG RESISTOR	820Ω 1/16W J		R711	NRSA63J-103X	MG RESISTOR	10kΩ 1/16W J	
R193	NRSA63J-101X	MG RESISTOR	100Ω 1/16W J		R712	NRSA63J-104X	MG RESISTOR	100kΩ 1/16W J	
R194	NRSA63J-101X	MG RESISTOR	100Ω 1/16W J		R713	NRSA63J-103X	MG RESISTOR	10kΩ 1/16W J	
R197	NRSA63J-471X	MG RESISTOR	470Ω 1/16W J		R714	NRSA63J-104X	MG RESISTOR	100kΩ 1/16W J	
R302	NRSA63J-0R0X	MG RESISTOR	0Ω 1/16W J		R715	NRSA63J-271X	MG RESISTOR	270Ω 1/16W J	
R304	NRSA63J-473X	MG RESISTOR	47kΩ 1/16W J		R716	NRSA63J-271X	MG RESISTOR	270Ω 1/16W J	
R305	NRSA63J-103X	MG RESISTOR	10kΩ 1/16W J		R717	NRSA63J-331X	MG RESISTOR	330Ω 1/16W J	
R306	NRSA63J-273X	MG RESISTOR	27kΩ 1/16W J		R718	NRSA63J-432X	MG RESISTOR	4.3kΩ 1/16W J	
R307	NRSA63J-100X	MG RESISTOR	10Ω 1/16W J		R719	NRSA63J-103X	MG RESISTOR	10kΩ 1/16W J	
R308	NRSA63J-222X	MG RESISTOR	2.2kΩ 1/16W J		R720	NRSA63J-0R0X	MG RESISTOR	0Ω 1/16W J	
R323	NRSA63J-473X	MG RESISTOR	47kΩ 1/16W J		R721	NRSA02J-0R0X	MG RESISTOR	0Ω 1/10W J	
R324	NRSA63J-0R0X	MG RESISTOR	0Ω 1/16W J		R722	NRSA63J-103X	MG RESISTOR	10kΩ 1/16W J	
R325	NRSA63J-102X	MG RESISTOR	1kΩ 1/16W J		R723	NRSA63J-473X	MG RESISTOR	47kΩ 1/16W J	
R326	NRSA63J-101X	MG RESISTOR	100Ω 1/16W J		R724	NRSA63J-103X	MG RESISTOR	10kΩ 1/16W J	
R327	NRSA63J-0R0X	MG RESISTOR	0Ω 1/16W J		R725	NRSA63J-224X	MG RESISTOR	220kΩ 1/16W J	
R329	NRSA63J-102X	MG RESISTOR	1kΩ 1/16W J		R726	NRSA63J-224X	MG RESISTOR	220kΩ 1/16W J	
R330	NRSA63J-102X	MG RESISTOR	1kΩ 1/16W J		R727	NRSA63J-562X	MG RESISTOR	5.6kΩ 1/16W J	
R333	NRSA63J-473X	MG RESISTOR	47kΩ 1/16W J		R728	NRSA63J-472X	MG RESISTOR	4.7kΩ 1/16W J	
R334	NRSA63J-0R0X	MG RESISTOR	0Ω 1/16W J		R729	NRSA63J-0R0X	MG RESISTOR	0Ω 1/16W J	
R335	NRSA63J-102X	MG RESISTOR	1kΩ 1/16W J		R735	NRSA63J-0R0X	MG RESISTOR	0Ω 1/16W J	
R336	NRSA63J-101X	MG RESISTOR	100Ω 1/16W J		R738	NRSA63J-472X	MG RESISTOR	4.7kΩ 1/16W J	
R337	NRSA63J-0R0X	MG RESISTOR	0Ω 1/16W J		R739	NRSA63J-472X	MG RESISTOR	4.7kΩ 1/16W J	
R339	NRSA63J-102X	MG RESISTOR	1kΩ 1/16W J		R744	NRSA63J-0R0X	MG RESISTOR	0Ω 1/16W J	
R340	NRSA63J-102X	MG RESISTOR	1kΩ 1/16W J		R745	NRSA63J-106X	MG RESISTOR	10MΩ 1/16W J	
R343	NRSA63J-473X	MG RESISTOR	47kΩ 1/16W J		R746	NRSA63J-473X	MG RESISTOR	47kΩ 1/16W J	
R344	NRSA63J-0R0X	MG RESISTOR	0Ω 1/16W J		R747	NRSA63J-102X	MG RESISTOR	1kΩ 1/16W J	
R345	NRSA63J-102X	MG RESISTOR	1kΩ 1/16W J		R749	NRS181J-103X	MG RESISTOR	10kΩ 1/8W J	DV7301E, DV7301E U,DV7302 E,DV7302 EU
R346	NRSA63J-101X	MG RESISTOR	100Ω 1/16W J						
R347	NRSA63J-0R0X	MG RESISTOR	0Ω 1/16W J						
R349	NRSA63J-102X	MG RESISTOR	1kΩ 1/16W J						
R350	NRSA63J-102X	MG RESISTOR	1kΩ 1/16W J		R750	NRSA63J-103X	MG RESISTOR	10kΩ 1/16W J	DV7307EE _DV7308E E
R353	NRSA63J-473X	MG RESISTOR	47kΩ 1/16W J						
R354	NRSA63J-0R0X	MG RESISTOR	0Ω 1/16W J						
R355	NRSA63J-102X	MG RESISTOR	1kΩ 1/16W J		R751	NRSA63J-333X	MG RESISTOR	33kΩ 1/16W J	
R356	NRSA63J-101X	MG RESISTOR	100Ω 1/16W J		R752	NRSA63J-223X	MG RESISTOR	22kΩ 1/16W J	DV7301E, DV7301E U,DV7302 E,DV7302 EU
R357	NRSA63J-0R0X	MG RESISTOR	0Ω 1/16W J						
R359	NRSA63J-102X	MG RESISTOR	1kΩ 1/16W J						
R360	NRSA63J-102X	MG RESISTOR	1kΩ 1/16W J						
R371	NRSA63J-0R0X	MG RESISTOR	0Ω 1/16W J						
R372	NRSA63J-0R0X	MG RESISTOR	0Ω 1/16W J		R753	NRSA63J-222X	MG RESISTOR	2.2kΩ 1/16W J	DV7301E, DV7301E U,DV7302 E,DV7302 EU
R381	NRSA63J-0R0X	MG RESISTOR	0Ω 1/16W J						
R382	NRSA63J-0R0X	MG RESISTOR	0Ω 1/16W J						
R401	NRSA63J-471X	MG RESISTOR	470Ω 1/16W J						
R402	NRSA63J-100X	MG RESISTOR	10Ω 1/16W J						
R403	NRSA63J-471X	MG RESISTOR	470Ω 1/16W J		R754	NRSA63J-222X	MG RESISTOR	2.2kΩ 1/16W J	
R404	NRSA63J-2R2X	MG RESISTOR	2.2Ω 1/16W J		R755	NRSA63J-103X	MG RESISTOR	10kΩ 1/16W J	
R410	NRSA02J-0R0X	MG RESISTOR	0Ω 1/10W J		R756	NRSA63J-222X	MG RESISTOR	2.2kΩ 1/16W J	
R412	NRSA63D-682X	MG RESISTOR	6.8kΩ 1/16W D		R757	NRSA63J-473X	MG RESISTOR	47kΩ 1/16W J	
R413	NRSA63J-100X	MG RESISTOR	10Ω 1/16W J		R758	NRSA63J-224X	MG RESISTOR	220kΩ 1/16W J	
R414	NRSA63J-102X	MG RESISTOR	1kΩ 1/16W J		R759	NRSA63J-224X	MG RESISTOR	220kΩ 1/16W J	
R415	NRSA63J-750X	MG RESISTOR	75Ω 1/16W J		R760	NRSA63J-472X	MG RESISTOR	4.7kΩ 1/16W J	
R416	NRSA63J-0R0X	MG RESISTOR	0Ω 1/16W J		R761	NRSA63J-472X	MG RESISTOR	4.7kΩ 1/16W J	
R417	NRSA63D-181X	MG RESISTOR	180Ω 1/16W D		R762	NRSA63J-103X	MG RESISTOR	10kΩ 1/16W J	
R421	NRSA63J-101X	MG RESISTOR	100Ω 1/16W J		R763	NRSA63J-103X	MG RESISTOR	10kΩ 1/16W J	
R424	NRSA63J-102X	MG RESISTOR	1kΩ 1/16W J		R765	NRSA63J-103X	MG RESISTOR	10kΩ 1/16W J	
					R767	NRSA63J-0R0X	MG RESISTOR	0Ω 1/16W J	

△ Symbol No.	Part No.	Part Name	Description	Local	△ Symbol No.	Part No.	Part Name	Description	Local
R768	NRSA63J-0R0X	MG RESISTOR	0Ω 1/16W J		R976	NRSA63J-563X	MG RESISTOR	56kΩ 1/16W J	
R769	NRSA63J-0R0X	MG RESISTOR	0Ω 1/16W J		R977	NRSA63J-183X	MG RESISTOR	18kΩ 1/16W J	
R771	NRSA63J-471X	MG RESISTOR	470Ω 1/16W J		R981	NRS181J-222X	MG RESISTOR	2.2kΩ 1/8W J	
R774	NRSA63J-472X	MG RESISTOR	4.7kΩ 1/16W J		R982	NRS181J-222X	MG RESISTOR	2.2kΩ 1/8W J	
R775	NRSA63J-472X	MG RESISTOR	4.7kΩ 1/16W J		RA721	NRZ0065-222X	NET RESISTOR	2.2kΩ	
R776	NRSA63J-472X	MG RESISTOR	4.7kΩ 1/16W J		RA722	NRZ0065-222X	NET RESISTOR	2.2kΩ	
R777	NRSA63J-102X	MG RESISTOR	1kΩ 1/16W J		RA723	NRZ0065-472X	MG RESISTOR	4.7kΩ	
R779	NRSA63J-102X	MG RESISTOR	1kΩ 1/16W J		L1	QQL244J-4R7Z	P COIL	4.7uH J	
R780	NRSA63J-102X	MG RESISTOR	1kΩ 1/16W J		L401	NQR0007-002X	FERRITE BEADS		
R781	NRSA63J-471X	MG RESISTOR	470Ω 1/16W J		L411	NQL114K-470X	INDUCTOR	47uH K	
R782	NRSA63J-471X	MG RESISTOR	470Ω 1/16W J		L421	NQR0007-002X	FERRITE BEADS		
R799	NRSA63J-102X	MG RESISTOR	1kΩ 1/16W J		L430	NQR0007-002X	FERRITE BEADS		
R801	NRSA63J-101X	MG RESISTOR	100Ω 1/16W J		L431	NQR0007-002X	FERRITE BEADS		
R802	NRSA63J-473X	MG RESISTOR	47kΩ 1/16W J		L722	NQL114K-470X	INDUCTOR	47uH K	
R803	NRSA63J-223X	MG RESISTOR	22kΩ 1/16W J		L901	QQR1695-001	CHOKO COIL		
R804	NRSA63J-104X	MG RESISTOR	100kΩ 1/16W J		L902	NQL56CK-220X	COIL	22uH K	
R805	NRSA63J-103X	MG RESISTOR	10kΩ 1/16W J		L922	NQLE74M-100X	COIL	10uH M	
R806	NRSA63J-104X	MG RESISTOR	100kΩ 1/16W J		L924	NQL56CK-220X	COIL	22uH K	
R807	NRSA63J-331X	MG RESISTOR	330Ω 1/16W J		L925	NQL71EM-330X	COIL	33uH M	
R808	NRSA63J-223X	MG RESISTOR	22kΩ 1/16W J		L966	NQR0536-001X	CHOKO COIL		
R809	NRSA63J-101X	MG RESISTOR	100Ω 1/16W J		CN421	QGA2006C1-04	CONNECTOR	W-B (1-4)	
R810	NRSA63J-473X	MG RESISTOR	47kΩ 1/16W J		CN701	QNZ0605-002	CAR CONNECTOR		
R821	NRSA63J-100X	MG RESISTOR	10Ω 1/16W J		CN821	QGA2001C1-02	CONNECTOR	W-B (1-2)	
R822	NRSA63J-471X	MG RESISTOR	470Ω 1/16W J		CN831	QGA2001C1-02	CONNECTOR	W-B (1-2)	
R825	NRSA63J-223X	MG RESISTOR	22kΩ 1/16W J						
R832	NRSA63J-271X	MG RESISTOR	270Ω 1/16W J	DV7301E, DV7301E U,DV7302 E,DV7302 EU					DV7301E, DV7301E U,DV7302 E,DV7302 EU
R842	NRSA63J-102X	MG RESISTOR	1kΩ 1/16W J		CN901	QNZ0607-001	CAR CONNECTOR		
R843	NRSA63J-102X	MG RESISTOR	1kΩ 1/16W J		CN961	QGB2027M5-30S	CONNECTOR	B-B (1-30)	
R844	NRSA63J-102X	MG RESISTOR	1kΩ 1/16W J		CN962	QGF0534F3-50X	CONNECTOR	FFC/FPC (1-50)	
R845	NRSA63J-222X	MG RESISTOR	2.2kΩ 1/16W J		CN963	QGB2027L9-30X	CONNECTOR	B-B (1-30)	
R846	NRSA63J-471X	MG RESISTOR	470Ω 1/16W J		CN964	QGB1214K1-08S	CONNECTOR	B-B (1-8)	
R847	NRSA63J-471X	MG RESISTOR	470Ω 1/16W J		CN965	QGB1214J1-08S	CONNECTOR	B-B (1-8)	
R848	NRSA63J-331X	MG RESISTOR	330Ω 1/16W J		CN966	QNZ0906-001	CONNECTOR		
R860	NRS181J-561X	MG RESISTOR	560Ω 1/8W J		J331	QNN0804-001	MODULAR JACK		
R861	NRSA63J-102X	MG RESISTOR	1kΩ 1/16W J		J801	QNZ0095-001	CONNECTOR		
R862	NRSA63J-222X	MG RESISTOR	2.2kΩ 1/16W J		K401	NQR0007-002X	FERRITE BEADS		
R881	NRSA63J-473X	MG RESISTOR	47kΩ 1/16W J		K402	NQR0007-002X	FERRITE BEADS		
R882	NRSA63J-103X	MG RESISTOR	10kΩ 1/16W J		K411	NQR0201-004X	FERRITE BEADS		
R883	NRSA63J-104X	MG RESISTOR	100kΩ 1/16W J		K831	NQR0007-002X	FERRITE BEADS		
R885	NRSA63J-473X	MG RESISTOR	47kΩ 1/16W J						DV7301E, DV7301E U,DV7302 E,DV7302 EU
R886	NRSA63J-472X	MG RESISTOR	4.7kΩ 1/16W J						
R887	NRSA63J-103X	MG RESISTOR	10kΩ 1/16W J						
R891	NRSA63J-473X	MG RESISTOR	47kΩ 1/16W J		PP1	QZW0010-001	STYLE PIN		
R892	NRSA63J-102X	MG RESISTOR	1kΩ 1/16W J						DV7301E, DV7301E U,DV7302 E,DV7302 EU
R894	NRSA63J-0R0X	MG RESISTOR	0Ω 1/16W J						
R901	QRE142J-102X	C RESISTOR	1kΩ 1/4W J						
R902	NRSA63J-912X	MG RESISTOR	9.1kΩ 1/16W J						
R903	NRSA63J-472X	MG RESISTOR	4.7kΩ 1/16W J		PP2	QZW0010-001	STYLE PIN		
R905	NRSA63J-123X	MG RESISTOR	12kΩ 1/16W J		PP3	QZW0010-001	STYLE PIN		
R906	NRSA63J-682X	MG RESISTOR	6.8kΩ 1/16W J		S701	QSW0451-001	DETECT SW		
R907	NRSA63J-102X	MG RESISTOR	1kΩ 1/16W J		S702	QSW0451-001	DETECT SW		
R909	NRSA63J-473X	MG RESISTOR	47kΩ 1/16W J		S723	QSW0648-001Z	TACT SW		
R910	NRSA63J-222X	MG RESISTOR	2.2kΩ 1/16W J		TH721	NAD0028-103X	N THERMISTOR	10kΩ	
R914	NRS181J-221X	MG RESISTOR	220Ω 1/8W J		△ TU21	QAU0484-001	TUNER PACK		DV7301E, DV7301E U,DV7302 E,DV7302 EU
R919	NRS181J-0R0X	MG RESISTOR	0Ω 1/8W J						
R920	NRS181J-0R0X	MG RESISTOR	0Ω 1/8W J						
R921	NRS181J-0R0X	MG RESISTOR	0Ω 1/8W J						
R922	NRSA63J-153X	MG RESISTOR	15kΩ 1/16W J		△ TU21	QAU0485-001	TUNER PACK		DV7307EE, DV7308E E
R923	NRSA63D-333X	MG RESISTOR	33kΩ 1/16W D						
R924	NRSA63D-822X	MG RESISTOR	8.2kΩ 1/16W D						
R925	NRSA63J-154X	MG RESISTOR	150kΩ 1/16W J						
R926	NRSA63D-304X	MG RESISTOR	300kΩ 1/16W D		W21	QAM0105-003	CAR CABLE		
R927	NRSA63J-0R0X	MG RESISTOR	0Ω 1/16W J		X71	QAX0263-001Z	CRYSTAL	4.332MHz	
R928	NRSA63J-473X	MG RESISTOR	47kΩ 1/16W J		X721	QAX0916-001Z	CRYSTAL		
R930	NRS181J-221X	MG RESISTOR	220Ω 1/8W J		X722	QAX0401-001	CRYSTAL	32.768KHz	
R941	NRSA63J-0R0X	MG RESISTOR	0Ω 1/16W J						
R942	NRSA63J-153X	MG RESISTOR	15kΩ 1/16W J						
R961	NRSA63J-103X	MG RESISTOR	10kΩ 1/16W J						
R962	NRSA63J-101X	MG RESISTOR	100Ω 1/16W J						
R967	NRS181J-0R0X	MG RESISTOR	0Ω 1/8W J						
R969	NRS181J-0R0X	MG RESISTOR	0Ω 1/8W J						
R972	NRSA63J-0R0X	MG RESISTOR	0Ω 1/16W J						
R973	NRSA63J-223X	MG RESISTOR	22kΩ 1/16W J						
R974	NRSA63J-223X	MG RESISTOR	22kΩ 1/16W J						
R975	NRSA63J-223X	MG RESISTOR	22kΩ 1/16W J						

# Switch board

## (DV7301/DV7302/DV7307/DV7308)

Block No. [0][4]

Symbol No.	Part No.	Part Name	Description	Local
IC601	PT6523LQ-L	LCD DRIVER		
IC602	RPM7338-V4	RM.RECEIVER		
D601	LSQ971/KLJ-X	LED		
D602	LSQ971/KLJ-X	LED		
D603	LSQ971/KLJ-X	LED		
D604	LSQ971/KLJ-X	LED		
D605	LSQ971/KLJ-X	LED		
D606	LSQ971/KLJ-X	LED		
D607	LSQ971/KLJ-X	LED		
D608	SML310BA1T/HJ-X	LED		
D609	SML310BA1T/HJ-X	LED		
D610	LSQ971/KLJ-X	LED		
D611	LSQ971/KLJ-X	LED		
D612	LSQ971/KLJ-X	LED		
D613	LSQ971/KLJ-X	LED		
D614	LSQ971/KLJ-X	LED		
D615	LSQ971/KLJ-X	LED		
D616	LSQ971/KLJ-X	LED		
D617	LSQ971/KLJ-X	LED		
D618	SML310BA1T/HJ-X	LED		
D620	SML310BA1T/HJ-X	LED		
D621	SML310BA1T/HJ-X	LED		
D640	MC2838-X	DIODE		
D640	or MA152WK-X	SI DIODE		
D641	UDZW5.1B-X	SB DIODE		
D641	or MA8051/M-X	Z DIODE		
D642	1SS355W-X	DIODE		
D642	or MA111-X	SI DIODE		
D645	NSPW310BS/BRST/	LED		
D646	NSPW310BS/BRST/	LED		
C601	NCB31CK-223X	C CAPACITOR	0.022uF 16V K	
C602	NCS31HJ-681X	C CAPACITOR	680pF 50V J	
C603	NCB21AK-105X	C CAPACITOR	1uF 10V K	
C611	NCB31HK-103X	C CAPACITOR	0.01uF 50V K	
R601	NRSA63J-821X	MG RESISTOR	820Ω 1/16W J	
R602	NRSA63J-821X	MG RESISTOR	820Ω 1/16W J	
R603	NRSA63J-122X	MG RESISTOR	1.2kΩ 1/16W J	
R604	NRSA63J-182X	MG RESISTOR	1.8kΩ 1/16W J	
R605	NRSA63J-272X	MG RESISTOR	2.7kΩ 1/16W J	
R606	NRSA63J-392X	MG RESISTOR	3.9kΩ 1/16W J	
R607	NRSA63J-821X	MG RESISTOR	820Ω 1/16W J	
R608	NRSA63J-821X	MG RESISTOR	820Ω 1/16W J	
R609	NRSA63J-122X	MG RESISTOR	1.2kΩ 1/16W J	
R610	NRSA63J-182X	MG RESISTOR	1.8kΩ 1/16W J	
R611	NRSA63J-272X	MG RESISTOR	2.7kΩ 1/16W J	
R612	NRSA63J-392X	MG RESISTOR	3.9kΩ 1/16W J	
R613	NRSA63J-821X	MG RESISTOR	820Ω 1/16W J	
R614	NRSA63J-821X	MG RESISTOR	820Ω 1/16W J	
R632	NRSA02J-621X	MG RESISTOR	620Ω 1/10W J	
R633	NRSA02J-821X	MG RESISTOR	820Ω 1/10W J	
R634	NRSA63J-471X	MG RESISTOR	470Ω 1/16W J	
R636	NRSA63J-471X	MG RESISTOR	470Ω 1/16W J	
R638	NRSA63J-471X	MG RESISTOR	470Ω 1/16W J	
R640	NRSA63J-680X	MG RESISTOR	68Ω 1/16W J	
R641	NRS181J-101X	MG RESISTOR	100Ω 1/8W J	
R642	NRSA63J-680X	MG RESISTOR	68Ω 1/16W J	
R643	NRSA63J-680X	MG RESISTOR	68Ω 1/16W J	
R644	NRSA63J-471X	MG RESISTOR	470Ω 1/16W J	
R646	NRSA63J-471X	MG RESISTOR	470Ω 1/16W J	
R648	NRSA63J-471X	MG RESISTOR	470Ω 1/16W J	
R650	NRS181J-221X	MG RESISTOR	220Ω 1/8W J	
R651	NRSA63J-222X	MG RESISTOR	2.2kΩ 1/16W J	
R652	NRSA63J-222X	MG RESISTOR	2.2kΩ 1/16W J	
R653	NRSA63J-103X	MG RESISTOR	10kΩ 1/16W J	
R654	NRSA63J-101X	MG RESISTOR	100Ω 1/16W J	
R655	NRSA63J-101X	MG RESISTOR	100Ω 1/16W J	
R656	NRSA63J-101X	MG RESISTOR	100Ω 1/16W J	
R657	NRSA63J-513X	MG RESISTOR	51kΩ 1/16W J	
R658	NRSA63J-225X	MG RESISTOR	2.2MΩ 1/16W J	

Symbol No.	Part No.	Part Name	Description	Local
R660	NRSA02J-181X	MG RESISTOR	180Ω 1/10W J	
R662	NRSA63J-471X	MG RESISTOR	470Ω 1/16W J	
R672	NRSA02J-0R0X	MG RESISTOR	0Ω 1/10W J	
R680	NRSA63J-680X	MG RESISTOR	68Ω 1/16W J	
R681	NRSA63J-680X	MG RESISTOR	68Ω 1/16W J	
R691	NRSA63J-103X	MG RESISTOR	10kΩ 1/16W J	
R692	NRSA63J-471X	MG RESISTOR	470Ω 1/16W J	
R693	NRSA63J-0R0X	MG RESISTOR	0Ω 1/16W J	
R695	NRSA63J-0R0X	MG RESISTOR	0Ω 1/16W J	
R697	NRSA63J-0R0X	MG RESISTOR	0Ω 1/16W J	
CN601	NNZ0085-001	CAR CONNECTOR		
EN601	QSW1163-001	ROTARY ENCODER		
S601	NSW0206-001X	TACT SWITCH		
S602	NSW0206-001X	TACT SWITCH		
S603	NSW0206-001X	TACT SWITCH		
S604	NSW0206-001X	TACT SWITCH		
S605	NSW0206-001X	TACT SWITCH		
S606	NSW0206-001X	TACT SWITCH		
S607	NSW0206-001X	TACT SWITCH		
S608	NSW0206-001X	TACT SWITCH		
S609	NSW0206-001X	TACT SWITCH		
S610	NSW0206-001X	TACT SWITCH		
S611	NSW0206-001X	TACT SWITCH		
S612	NSW0206-001X	TACT SWITCH		
S613	NSW0206-001X	TACT SWITCH		
S614	NSW0206-001X	TACT SWITCH		
S616	NSW0206-001X	TACT SWITCH		
S617	NSW0206-001X	TACT SWITCH		

# Front end board

Block No. [0][5]

Symbol No.	Part No.	Part Name	Description	Local
IC201	BA5835FM-X	IC		
IC251	BD6671FM-X	IC		
△IC301	MN2DS0016AA	IC		
IC302	BA00HC5WF-X	IC		
IC306	ISP1106DH-X	IC		
IC308	XC2164A51FM-X	IC		
IC398	-----	IC(PROGRAMED)		
IC399	K4S281632I-UC75	IC (DIGITAL)		
IC399	or EDS1216AGTA-75	IC(DIGITAL)		
IC401	AK4385ET-X	IC		
IC411	NJM4580V-X	IC		
IC481	BR24L32FV-W-X	IC(DIGITAL)		
Q101	2SB1424/R/-W	TRANSISTOR		
Q102	2SC4617/R/-X	TRANSISTOR		
Q103	2SB1424/R/-W	TRANSISTOR		
Q104	2SC4617/R/-X	TRANSISTOR		
Q106	2SK3019-X	MOS FET		
Q107	2SK3019-X	MOS FET		
Q231	RT1N141U-X	TRANSISTOR		
Q301	RT1N441U-X	TRANSISTOR		
Q302	RT1N441U-X	TRANSISTOR		
C1	NCB31CK-104X	C CAPACITOR	0.1uF 16V K	
C2	NCB31CK-104X	C CAPACITOR	0.1uF 16V K	
C3	NCB31CK-104X	C CAPACITOR	0.1uF 16V K	
C4	NCB31CK-104X	C CAPACITOR	0.1uF 16V K	
C5	NCB31CK-104X	C CAPACITOR	0.1uF 16V K	
C6	NCB31CK-104X	C CAPACITOR	0.1uF 16V K	
C7	NCB31CK-104X	C CAPACITOR	0.1uF 16V K	
C8	NCB31CK-104X	C CAPACITOR	0.1uF 16V K	
C9	NCB31CK-104X	C CAPACITOR	0.1uF 16V K	
C11	NCB31CK-104X	C CAPACITOR	0.1uF 16V K	
C12	NCB31CK-104X	C CAPACITOR	0.1uF 16V K	
C13	NCB31CK-104X	C CAPACITOR	0.1uF 16V K	
C14	NCB31CK-104X	C CAPACITOR	0.1uF 16V K	
C15	NCB31CK-104X	C CAPACITOR	0.1uF 16V K	
C16	NCB31CK-104X	C CAPACITOR	0.1uF 16V K	
C17	NCB31CK-104X	C CAPACITOR	0.1uF 16V K	



△ Symbol No.	Part No.	Part Name	Description	Local	△ Symbol No.	Part No.	Part Name	Description	Local
C18	NCB31CK-104X	C CAPACITOR	0.1uF 16V K		C350	NCB31AK-684X	C CAPACITOR	0.68uF 10V K	
C20	NCB31CK-104X	C CAPACITOR	0.1uF 16V K		C358	NDC31HJ-5R0X	C CAPACITOR	5pF 50V J	
C21	NCB31CK-104X	C CAPACITOR	0.1uF 16V K		C359	NDC31HJ-5R0X	C CAPACITOR	5pF 50V J	
C22	NCB31CK-104X	C CAPACITOR	0.1uF 16V K		C364	NBE40JM-476X	TA E CAPACITOR	47uF 6.3V M	
C101	NCB31CK-104X	C CAPACITOR	0.1uF 16V K		C365	NCB31CK-104X	C CAPACITOR	0.1uF 16V K	
C102	NCB31CK-104X	C CAPACITOR	0.1uF 16V K		C366	NCB21CK-105X	C CAPACITOR	1uF 16V K	
C103	NCB31CK-104X	C CAPACITOR	0.1uF 16V K		C369	NBE40JM-476X	TA E CAPACITOR	47uF 6.3V M	
C104	NCB31CK-104X	C CAPACITOR	0.1uF 16V K		C371	NCB21CK-105X	C CAPACITOR	1uF 16V K	
C105	NBE41AM-476X	TA E CAPACITOR	47uF 10V M		C381	NCB31CK-104X	C CAPACITOR	0.1uF 16V K	
C106	NBE41AM-476X	TA E CAPACITOR	47uF 10V M		C382	NCB31CK-104X	C CAPACITOR	0.1uF 16V K	
C108	NBE41AM-476X	TA E CAPACITOR	47uF 10V M		C383	NCB31CK-104X	C CAPACITOR	0.1uF 16V K	
C111	NCB31CK-104X	C CAPACITOR	0.1uF 16V K		C391	NCB31CK-104X	C CAPACITOR	0.1uF 16V K	
C112	NCB31CK-104X	C CAPACITOR	0.1uF 16V K		C392	NCB31CK-104X	C CAPACITOR	0.1uF 16V K	
C201	NEAF1CM-107X	E CAPACITOR	100uF 16V M		C393	NCB31CK-104X	C CAPACITOR	0.1uF 16V K	
C202	NCB31CK-104X	C CAPACITOR	0.1uF 16V K		C394	NCB31CK-104X	C CAPACITOR	0.1uF 16V K	
C203	NDC31HJ-271X	C CAPACITOR	270pF 50V J		C396	NCB31CK-104X	C CAPACITOR	0.1uF 16V K	
C204	NDC31HJ-151X	C CAPACITOR	150pF 50V J		C397	NBE20JM-226X	TA E CAPACITOR	22uF 6.3V M	
C205	NCB31HK-681X	C CAPACITOR	680pF 50V K		C401	NCB31CK-104X	C CAPACITOR	0.1uF 16V K	
C206	NCB31HK-561X	C CAPACITOR	560pF 50V K		C402	NBE41AM-476X	TA E CAPACITOR	47uF 10V M	
C211	NEAF1CM-107X	E CAPACITOR	100uF 16V M		C403	NCB31HK-331X	C CAPACITOR	330pF 50V K	
C212	NCB31CK-104X	C CAPACITOR	0.1uF 16V K		C404	NCB31CK-473X	C CAPACITOR	0.047uF 16V K	
C213	NCB31CK-104X	C CAPACITOR	0.1uF 16V K		C411	NCB31CK-104X	C CAPACITOR	0.1uF 16V K	
C221	NCB31HK-223X	C CAPACITOR	0.022uF 50V K		C412	NBE41CM-336X	TA E CAPACITOR	33uF 16V M	
C222	NCB31HK-103X	C CAPACITOR	0.01uF 50V K		C421	NCB31CK-104X	C CAPACITOR	0.1uF 16V K	
C238	NCB31CK-104X	C CAPACITOR	0.1uF 16V K		C422	NBE41AM-476X	TA E CAPACITOR	47uF 10V M	
C239	NCB31CK-104X	C CAPACITOR	0.1uF 16V K		C431	NCB31HK-332X	C CAPACITOR	3300pF 50V K	
C240	NCB31CK-104X	C CAPACITOR	0.1uF 16V K		C432	NCS31HJ-471X	C CAPACITOR	470pF 50V J	
C251	NCB31CK-104X	C CAPACITOR	0.1uF 16V K		C433	NCS31HJ-471X	C CAPACITOR	470pF 50V J	
C252	NEAF1CM-107X	E CAPACITOR	100uF 16V M		C451	NCB31CK-104X	C CAPACITOR	0.1uF 16V K	
C253	NCB31CK-104X	C CAPACITOR	0.1uF 16V K		C452	NCB31CK-104X	C CAPACITOR	0.1uF 16V K	
C254	NBE21AM-106X	TA E CAPACITOR	10uF 10V M		C453	NCB31CK-104X	C CAPACITOR	0.1uF 16V K	
C255	NCB31CK-104X	C CAPACITOR	0.1uF 16V K		C454	NCB31CK-104X	C CAPACITOR	0.1uF 16V K	
C256	NCB31CK-473X	C CAPACITOR	0.047uF 16V K		C481	NCB31CK-104X	C CAPACITOR	0.1uF 16V K	
C257	NCB31HK-102X	C CAPACITOR	1000pF 50V K		C491	NCB31CK-104X	C CAPACITOR	0.1uF 16V K	
C258	NCB31HK-102X	C CAPACITOR	1000pF 50V K		C521	NCB31CK-104X	C CAPACITOR	0.1uF 16V K	
C259	NCB31HK-102X	C CAPACITOR	1000pF 50V K		C522	NBE41AM-476X	TA E CAPACITOR	47uF 10V M	
C264	NCB31HK-103X	C CAPACITOR	0.01uF 50V K		C531	NCB31HK-332X	C CAPACITOR	3300pF 50V K	
C265	NCB31CK-104X	C CAPACITOR	0.1uF 16V K		C532	NCS31HJ-471X	C CAPACITOR	470pF 50V J	
C266	NCB31CK-104X	C CAPACITOR	0.1uF 16V K		C533	NCS31HJ-471X	C CAPACITOR	470pF 50V J	
C267	NCB31HK-103X	C CAPACITOR	0.01uF 50V K						
C268	NCB31HK-153X	C CAPACITOR	0.015uF 50V K		R31	NRSA6AD-153W	MG RESISTOR	15kΩ 1/16W D	
C301	NBE41AM-476X	TA E CAPACITOR	47uF 10V M		R32	NRSA6AD-153W	MG RESISTOR	15kΩ 1/16W D	
C302	NBE40JM-476X	TA E CAPACITOR	47uF 6.3V M		R33	NRS181F-330X	MG RESISTOR	33Ω 1/8W F	
C305	NCB31CK-104X	C CAPACITOR	0.1uF 16V K		R34	NRS181F-330X	MG RESISTOR	33Ω 1/8W F	
C308	NCB31CK-104X	C CAPACITOR	0.1uF 16V K		R35	NRSA6AD-102W	MG RESISTOR	1kΩ 1/16W D	
C309	NCB31CK-104X	C CAPACITOR	0.1uF 16V K		R36	NRSA6AD-221W	MG RESISTOR	220Ω 1/16W D	
C310	NCB31HK-103X	C CAPACITOR	0.01uF 50V K		R38	NRSA6AD-102W	MG RESISTOR	1kΩ 1/16W D	
C311	NCB31CK-104X	C CAPACITOR	0.1uF 16V K		R39	NRSA6AD-221W	MG RESISTOR	220Ω 1/16W D	
C312	NCB21CK-105X	C CAPACITOR	1uF 16V K		R40	NRSA6AD-221W	MG RESISTOR	220Ω 1/16W D	
C313	NCB31CK-104X	C CAPACITOR	0.1uF 16V K		R41	NRSA6AD-102W	MG RESISTOR	1kΩ 1/16W D	
C315	NCB31CK-104X	C CAPACITOR	0.1uF 16V K		R42	NRSA6AD-221W	MG RESISTOR	220Ω 1/16W D	
C316	NCB31CK-105X	C CAPACITOR	1uF 16V K		R43	NRSA6AD-221W	MG RESISTOR	220Ω 1/16W D	
C317	NCB31CK-104X	C CAPACITOR	0.1uF 16V K		R44	NRSA63J-0R0X	MG RESISTOR	0Ω 1/16W J	
C318	NCB31CK-104X	C CAPACITOR	0.1uF 16V K		R45	NRSA6AD-473W	MG RESISTOR	47kΩ 1/16W D	
C319	NCB31CK-104X	C CAPACITOR	0.1uF 16V K		R46	NRSA6AD-103W	MG RESISTOR	10kΩ 1/16W D	
C320	NCB31CK-104X	C CAPACITOR	0.1uF 16V K		R101	NRSA6AD-910W	MG RESISTOR	91Ω 1/16W D	
C321	NCB31CK-104X	C CAPACITOR	0.1uF 16V K		R102	NRSA6AD-910W	MG RESISTOR	91Ω 1/16W D	
C322	NCB31CK-104X	C CAPACITOR	0.1uF 16V K		R103	NRSA63D-432X	MG RESISTOR	4.3kΩ 1/16W D	
C323	NCB31CK-104X	C CAPACITOR	0.1uF 16V K		R104	NRSA63D-242X	MG RESISTOR	2.4kΩ 1/16W D	
C324	NCB21CK-105X	C CAPACITOR	1uF 16V K		R105	NRS125J-120X	MG RESISTOR	1.2kΩ 1/2W J	
C325	NDC31HJ-120X	C CAPACITOR	12pF 50V J		R106	NRSA63J-2R2X	MG RESISTOR	2.2Ω 1/16W J	
C326	NDC31HJ-120X	C CAPACITOR	12pF 50V J		R107	NRSA6AD-102W	MG RESISTOR	1kΩ 1/16W D	
C327	NCB31CK-104X	C CAPACITOR	0.1uF 16V K		R108	NRSA63J-471X	MG RESISTOR	470Ω 1/16W J	
C328	NCB31CK-104X	C CAPACITOR	0.1uF 16V K		R109	NRSA63J-331X	MG RESISTOR	330Ω 1/16W J	
C330	NCB31CK-104X	C CAPACITOR	0.1uF 16V K		R110	NRSA63J-0R0X	MG RESISTOR	0Ω 1/16W J	
C331	NCB31CK-333X	C CAPACITOR	0.033uF 16V K		R111	NRSA63D-432X	MG RESISTOR	4.3kΩ 1/16W D	
C332	NCB31CK-104X	C CAPACITOR	0.1uF 16V K		R112	NRSA63D-242X	MG RESISTOR	2.4kΩ 1/16W D	
C333	NCB31CK-104X	C CAPACITOR	0.1uF 16V K		R113	NRS125J-120X	MG RESISTOR	12Ω 1/2W J	
C335	NCB31CK-104X	C CAPACITOR	0.1uF 16V K		R114	NRSA63J-2R2X	MG RESISTOR	2.2Ω 1/16W J	
C336	NCB31CK-104X	C CAPACITOR	0.1uF 16V K		R115	NRSA6AD-102W	MG RESISTOR	1kΩ 1/16W D	
C337	NCB31HK-183X	C CAPACITOR	0.018uF 50V K		R116	NRSA63J-471X	MG RESISTOR	470Ω 1/16W J	
C338	NCB31HK-562X	C CAPACITOR	5600pF 50V K		R117	NRSA63J-331X	MG RESISTOR	330Ω 1/16W J	
C339	NCB31CK-104X	C CAPACITOR	0.1uF 16V K		R118	NRSA63J-0R0X	MG RESISTOR	0Ω 1/16W J	
C340	NCB21CK-105X	C CAPACITOR	1uF 16V K		R119	NRSA63J-0R0X	MG RESISTOR	0Ω 1/16W J	
C341	NCB21CK-105X	C CAPACITOR	1uF 16V K		R120	NRSA63J-0R0X	MG RESISTOR	0Ω 1/16W J	
C347	NCB31CK-104X	C CAPACITOR	0.1uF 16V K		R121	NRSA63J-0R0X	MG RESISTOR	0Ω 1/16W J	
C348	NCB31AK-684X	C CAPACITOR	0.68uF 10V K		R122	NRSA63J-0R0X	MG RESISTOR	0Ω 1/16W J	
C349	NCB31CK-104X	C CAPACITOR	0.1uF 16V K		R123	NRSA63J-0R0X	MG RESISTOR	0Ω 1/16W J	

△ Symbol No.	Part No.	Part Name	Description	Local	△ Symbol No.	Part No.	Part Name	Description	Local
R124	NRSA63J-0R0X	MG RESISTOR	0Ω 1/16W J		R364	NRSA6AD-151W	MG RESISTOR	150Ω 1/16W D	
R125	NRS125J-1R0X	MG RESISTOR	1Ω 1/2W J		R365	NRSA63D-911X	MG RESISTOR	910Ω 1/16W D	
R126	NRSA02J-0R0X	MG RESISTOR	0Ω 1/10W J		R366	NRSA63D-202X	MG RESISTOR	2kΩ 1/16W D	
R127	NRSA63J-0R0X	MG RESISTOR	0Ω 1/16W J		R368	NRSA63D-203X	MG RESISTOR	20kΩ 1/16W D	
R128	NRSA63J-0R0X	MG RESISTOR	0Ω 1/16W J		R370	NRSA6AD-103W	MG RESISTOR	10kΩ 1/16W D	
R129	NRSA6AD-104W	MG RESISTOR	100kΩ 1/16W D		R372	NRSA6AD-331W	MG RESISTOR	330Ω 1/16W D	
R130	NRSA63J-0R0X	MG RESISTOR	0Ω 1/16W J		R373	NRSA6AD-331W	MG RESISTOR	330Ω 1/16W D	
R201	NRS125J-1R0X	MG RESISTOR	1Ω 1/2W J		R380	NRSA6AD-102W	MG RESISTOR	1kΩ 1/16W D	
R202	NRSA6AD-473W	MG RESISTOR	47kΩ 1/16W D		R384	NRSA6AD-102W	MG RESISTOR	1kΩ 1/16W D	
R203	NRSA6AD-303W	MG RESISTOR	30kΩ 1/16W D		R385	NRSA6AD-102W	MG RESISTOR	1kΩ 1/16W D	
R204	NRSA6AD-273W	MG RESISTOR	27kΩ 1/16W D		R396	NRSA6AD-473W	MG RESISTOR	47kΩ 1/16W D	
R205	NRSA6AD-273W	MG RESISTOR	27kΩ 1/16W D		R399	NRSA63J-0R0X	MG RESISTOR	0Ω 1/16W J	
R206	NRSA63J-0R0X	MG RESISTOR	0Ω 1/16W J		R401	NRSA6AD-100W	MG RESISTOR	10Ω 1/16W D	
R207	NRSA63J-0R0X	MG RESISTOR	0Ω 1/16W J		R402	NRSA63J-4R7X	MG RESISTOR	4.7Ω 1/16W J	
R208	NRSA6AD-203W	MG RESISTOR	20kΩ 1/16W D		R403	NRSA63J-0R0X	MG RESISTOR	0Ω 1/16W J	
R209	NRSA6AD-223W	MG RESISTOR	22kΩ 1/16W D		R404	NRSA6AD-473W	MG RESISTOR	47kΩ 1/16W D	
R211	NRSA63J-0R0X	MG RESISTOR	0Ω 1/16W J		R405	NRSA63J-0R0X	MG RESISTOR	0Ω 1/16W J	
R219	NRSA6AD-153W	MG RESISTOR	15kΩ 1/16W D		R411	NRSA6AD-100W	MG RESISTOR	10Ω 1/16W D	
R220	NRSA6AD-183W	MG RESISTOR	18kΩ 1/16W D		R421	NRSA6AD-102W	MG RESISTOR	1kΩ 1/16W D	
R221	NRSA6AD-103W	MG RESISTOR	10kΩ 1/16W D		R422	NRSA6AD-122W	MG RESISTOR	1.2kΩ 1/16W D	
R222	NRSA6AD-103W	MG RESISTOR	10kΩ 1/16W D		R431	NRSA6AD-472W	MG RESISTOR	4.7kΩ 1/16W D	
R223	NRSA63J-0R0X	MG RESISTOR	0Ω 1/16W J		R432	NRSA6AD-472W	MG RESISTOR	4.7kΩ 1/16W D	
R224	NRSA6AD-103W	MG RESISTOR	10kΩ 1/16W D		R433	NRSA6AD-223W	MG RESISTOR	22kΩ 1/16W D	
R231	NRSA6AD-272W	MG RESISTOR	2.7kΩ 1/16W D		R434	NRSA6AD-201W	MG RESISTOR	200Ω 1/16W D	
R232	NRSA6AD-153W	MG RESISTOR	15kΩ 1/16W D		R435	NRSA6AD-472W	MG RESISTOR	4.7kΩ 1/16W D	
R233	NRSA63J-0R0X	MG RESISTOR	0Ω 1/16W J		R436	NRSA6AD-201W	MG RESISTOR	200Ω 1/16W D	
R234	NRSA6AD-394W	MG RESISTOR	390kΩ 1/16W D		R437	NRSA6AD-472W	MG RESISTOR	4.7kΩ 1/16W D	
R235	NRSA6AD-682W	MG RESISTOR	6.8kΩ 1/16W D		R438	NRSA6AD-223W	MG RESISTOR	22kΩ 1/16W D	
R246	NRSA6AD-220W	MG RESISTOR	22Ω 1/16W D		R441	NRSA63J-0R0X	MG RESISTOR	0Ω 1/16W J	
R251	NRS125J-R47X	MG RESISTOR	0.47Ω 1/2W J		R442	NRSA63J-0R0X	MG RESISTOR	0Ω 1/16W J	
R252	NRSA6AD-103W	MG RESISTOR	10kΩ 1/16W D		R481	NRSA6AD-103W	MG RESISTOR	10kΩ 1/16W D	
R253	NRSA63J-0R0X	MG RESISTOR	0Ω 1/16W J		R491	NRSA63D-472X	MG RESISTOR	4.7kΩ 1/16W D	
R254	NRSA6AD-103W	MG RESISTOR	10kΩ 1/16W D		R492	NRSA63J-0R0X	MG RESISTOR	0Ω 1/16W J	
R255	NRSA6AD-203W	MG RESISTOR	20kΩ 1/16W D		R521	NRSA6AD-102W	MG RESISTOR	1kΩ 1/16W D	
R256	NRSA6AD-470W	MG RESISTOR	47Ω 1/16W D		R522	NRSA6AD-122W	MG RESISTOR	1.2kΩ 1/16W D	
R257	NRSA63J-0R0X	MG RESISTOR	0Ω 1/16W J		R531	NRSA63J-472X	MG RESISTOR	4.7kΩ 1/16W J	
R258	NRSA6AD-103W	MG RESISTOR	10kΩ 1/16W D		R532	NRSA6AD-472W	MG RESISTOR	4.7kΩ 1/16W D	
R259	NRSA6AD-103W	MG RESISTOR	10kΩ 1/16W D		R533	NRSA6AD-223W	MG RESISTOR	22kΩ 1/16W D	
R260	NRSA6AD-470W	MG RESISTOR	47Ω 1/16W D		R534	NRSA6AD-201W	MG RESISTOR	200Ω 1/16W D	
R300	NRSA63J-0R0X	MG RESISTOR	0Ω 1/16W J		R535	NRSA6AD-472W	MG RESISTOR	4.7kΩ 1/16W D	
R301	NRSA63J-0R0X	MG RESISTOR	0Ω 1/16W J		R536	NRSA6AD-201W	MG RESISTOR	200Ω 1/16W D	
R303	NRSA6AD-270W	MG RESISTOR	27Ω 1/16W D		R537	NRSA6AD-472W	MG RESISTOR	4.7kΩ 1/16W D	
R304	NRSA6AD-103W	MG RESISTOR	10kΩ 1/16W D		R538	NRSA6AD-223W	MG RESISTOR	22kΩ 1/16W D	
R306	NRSA6AD-102W	MG RESISTOR	1kΩ 1/16W D		L303	NQL044K-100X	COIL	0.26Ω 10uH K	
R307	NRSA6AD-102W	MG RESISTOR	1kΩ 1/16W D		L305	NQL093K-1R8X	COIL	1.8uH K	
R308	NRSA6AD-223W	MG RESISTOR	22kΩ 1/16W D		L306	NQL093K-1R8X	COIL	1.8uH K	
R309	NRSA6AD-104W	MG RESISTOR	100kΩ 1/16W D		L307	NQL093K-1R8X	COIL	1.8uH K	
R312	NRSA63J-0R0X	MG RESISTOR	0Ω 1/16W J		L310	NQL093K-1R8X	COIL	1.8uH K	
R313	NRSA63J-0R0X	MG RESISTOR	0Ω 1/16W J		L451	NQL044K-100X	COIL	0.26Ω 10uH K	
R314	NRSA63J-0R0X	MG RESISTOR	0Ω 1/16W J		CN101	QGF0501F8-30X	CONNECTOR	FFC/FPC (1-30)	
R315	NRSA63J-0R0X	MG RESISTOR	0Ω 1/16W J		CN201	QGF1038F2-11X	CONNECTOR	FFC/FPC (1-11)	
R316	NRSA63J-0R0X	MG RESISTOR	0Ω 1/16W J		CN202	QGF0523F2-05W	CONNECTOR	FFC/FPC (1-5)	
R318	NRSA63D-332X	MG RESISTOR	3.3kΩ 1/16W D		CN402	QGF0522F3-06W	CONNECTOR	FFC/FPC (1-6)	
R319	NRSA6AD-223W	MG RESISTOR	22kΩ 1/16W D		CN403	QGF0534F3-50X	CONNECTOR	FFC/FPC (1-50)	
R320	NRSA6AD-101W	MG RESISTOR	100Ω 1/16W D		K101	NQR0007-002X	FERRITE BEADS		
R323	NRSA63J-0R0X	MG RESISTOR	0Ω 1/16W J		K102	NQR0007-002X	FERRITE BEADS		
R325	NRSA63J-181X	MG RESISTOR	180Ω 1/16W J		K301	NQR0502-001X	FERRITE BEADS		
R332	NRSA6AD-102W	MG RESISTOR	1kΩ 1/16W D		K302	NQR0502-001X	FERRITE BEADS		
R333	NRSA63D-162X	MG RESISTOR	1.6kΩ 1/16W D		K303	NQR0022-002X	FERRITE BEADS		
R334	NRSA63J-0R0X	MG RESISTOR	0Ω 1/16W J		K306	NQR0502-001X	FERRITE BEADS		
R335	NRSA63J-0R0X	MG RESISTOR	0Ω 1/16W J		K311	NQR0129-002X	FERRITE BEADS		
R336	NRSA63J-0R0X	MG RESISTOR	0Ω 1/16W J		K399	NQR0502-001X	FERRITE BEADS		
R337	NRSA63J-0R0X	MG RESISTOR	0Ω 1/16W J		K401	NQR0022-005X	FERRITE BEADS		
R340	NRSA63D-303X	MG RESISTOR	30kΩ 1/16W D		K402	NQR0022-005X	FERRITE BEADS		
R345	NRSA63J-0R0X	MG RESISTOR	0Ω 1/16W J		K404	NQR0022-005X	FERRITE BEADS		
R346	NRSA6AD-473W	MG RESISTOR	47kΩ 1/16W D		K405	NQR0022-005X	FERRITE BEADS		
R347	NRSA6AD-473W	MG RESISTOR	47kΩ 1/16W D		K406	NQR0022-005X	FERRITE BEADS		
R348	NRSA6AD-473W	MG RESISTOR	47kΩ 1/16W D		K407	NQR0022-005X	FERRITE BEADS		
R349	NRSA6AD-473W	MG RESISTOR	47kΩ 1/16W D		K425	NQL093K-1R8X	COIL	1.8uH K	
R351	NRSA6AD-221W	MG RESISTOR	220Ω 1/16W D		K429	NQR0022-005X	FERRITE BEADS		
R352	NRSA63J-105X	MG RESISTOR	1MΩ 1/16W J		K432	NRSA63J-0R0X	MG RESISTOR	0Ω 1/16W J	
R353	NRSA6AD-101W	MG RESISTOR	100Ω 1/16W D		K435	NQR0022-005X	FERRITE BEADS		
R354	NRSA6AD-101W	MG RESISTOR	100Ω 1/16W D		K441	NQR0022-005X	FERRITE BEADS		
R357	NRSA63J-0R0X	MG RESISTOR	0Ω 1/16W J		K442	NQR0022-005X	FERRITE BEADS		
R358	NRSA63J-0R0X	MG RESISTOR	0Ω 1/16W J		K443	NQR0022-005X	FERRITE BEADS		
R361	NRSA63J-0R0X	MG RESISTOR	0Ω 1/16W J		K444	NQR0022-005X	FERRITE BEADS		
R362	NRSA63J-0R0X	MG RESISTOR	0Ω 1/16W J						
R363	NRSA6AD-151W	MG RESISTOR	150Ω 1/16W D						

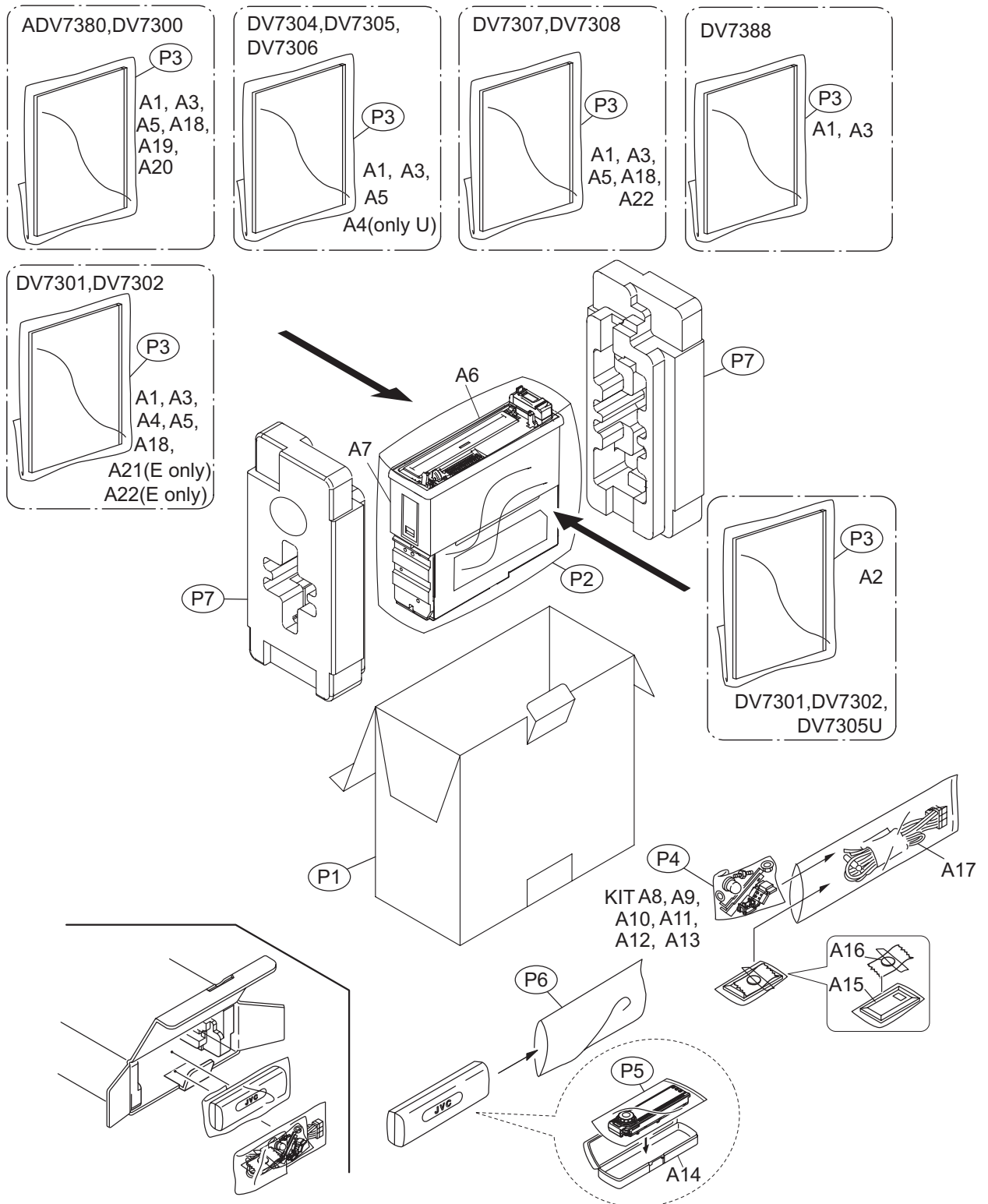
Symbol No.	Part No.	Part Name	Description	Local
K445	NQR0022-005X	FERRITE BEADS		
K451	NQR0022-005X	FERRITE BEADS		
K452	NQR0022-005X	FERRITE BEADS		
K461	NQR0022-005X	FERRITE BEADS		
K462	NQR0022-005X	FERRITE BEADS		
K601	NQR0022-005X	FERRITE BEADS		
SW4	NSW0184-001X	DETECT SW		
SW5	NSW0183-001X	DETECT SW		
TH491	NAD0025-103X	N THERMISTOR	10k $\Omega$	
X351	NAX0741-001X	CRYSTAL	27.000MHz	
X354	NAX0376-002X	CRYSTAL		

**<MEMO>**

# Packing materials and accessories parts list

Block No. M 3 M M

No additional / supplemental order of WARRANTY CARDS are available.



The parts without symbol number are not service.

# Packing and Accessories

Block No. [M][3][M][M]

△	Symbol No.	Part No.	Part Name	Description	Local
	A 1	GET0448-001A	INSTR BOOK	ENG FRE SPA	ADV7380J,DV7300J
	A 1	GET0452-002B	INSTR BOOK	SPA ITA SWE POR	DV7301E,DV7302E
	A 1	GET0452-004B	INSTR BOOK	SPA PER TUR	DV7301EU,DV7302EU
	A 1	GET0450-001A	INSTR BOOK	ENG	DV7304UI
	A 1	GET0449-001A	INSTR BOOK	ENG CHI(TAIWAN)	DV7305U,DV7306U
	A 1	GET0449-003A	INSTR BOOK	ENG INA	DV7305UN,DV7306UN
	A 1	GET0449-004A	INSTR BOOK	ENG CHI(TAIWAN)	DV7305UT,DV7306UT
	A 1	GET0449-005A	INSTR BOOK	ENG	DV7305A,DV7306A
	A 1	GET0453-001A	INSTR BOOK	ENG RUS UKR	DV7307EE,DV7308EE
	A 1	GET0451-001A	INSTR BOOK	CHI(PEKIN)	DV7388UF
	A 2	GET0452-001B	INSTR BOOK	ENG GER FRE DUT	DV7301E,DV7302E
	A 2	GET0452-003B	INSTR BOOK	ENG FRE	DV7301EU,DV7302EU
	A 2	GET0449-002A	INSTR BOOK	ARA KOR PER THA	DV7305U,DV7306U
	A 3	GET0448-002A	INSTALL MANUAL	ENG FRE SPA	ADV7380J,DV7300J
	A 3	GET0452-005A	INSTALL MANUAL	ENG GER FRE DUT	DV7301E,DV7302E
	A 3	GET0452-007A	INSTALL MANUAL	ENG FRE	DV7301EU,DV7302EU
	A 3	GET0450-002A	INSTALL MANUAL	ENG	DV7304UI
	A 3	GET0449-006A	INSTALL MANUAL	ENG CHI(TAIWAN)	DV7305U,DV7305UT,DV7306U,DV7306UT
	A 3	GET0449-008A	INSTALL MANUAL	ENG INA	DV7305UN,DV7306UN
	A 3	GET0449-009A	INSTALL MANUAL	ENG	DV7305A,DV7306A
	A 3	GET0453-002A	INSTALL MANUAL	ENG RUS UKR	DV7307EE,DV7308EE
	A 3	GET0451-002A	INSTALL MANUAL	CHI(PEKIN)	DV7388UF
	A 4	GET0452-006A	INSTALL MANUAL	SPA ITA SWE POR	DV7301E,DV7302E
	A 4	GET0452-008A	INSTALL MANUAL	SPA PER TUR	DV7301EU,DV7302EU
	A 4	GET0449-007A	INSTALL MANUAL	ARA KOR PER THA	DV7305U,DV7306U
	A 5	LVT1672-001A	INST SHEET		ADV7380J,DV7300J,DV7301E,DV7301EU, DV7302E,DV7302EU,DV7304UI,DV7305U, DV7305UN,DV7305UT,DV7305A,DV7306U ,DV7306UN,DV7306UT,DV7306A,DV7307 EE,DV7308EE
	A 6	GE20137-003A	MOUNTING SLEEVE		
	A 7	GE20218-002A	TRIM PLATE		ADV7380J,DV7302E,DV7302EU,DV7306U ,DV7306UN,DV7306UT,DV7306A,DV7307 EE,DV7388UF
	A 7	GE20218-004A	TRIM PLATE		DV7300J
	A 7	GE20218-005A	TRIM PLATE		DV7301E,DV7301EU,DV7304UI,DV7305U, DV7305UN,DV7305UT,DV7305A,DV7308E E
	A 8	GE40130-002A	HOOK	(x2)	
	A 9	VKZ4027-202	PLUG NUT		
	A10	VKH4871-003	MOUNT BOLT		
	A11	VKZ4328-003	LOCK NUT		
	A12	QYWWS53A008ZA	WASHER	0mm/5.3mm x	
	A13	LV41478-002A	CORD CONNECTOR		
	A14	GE32149-002A	HARD CASE ASSY		
	A15	RM-RK241	REMOTE CONTROL UNIT		
	A16	-----	BATTERY	3V	
△	A17	QAM0687-001	CAR CABLE		ADV7380J
△	A17	QAM0453-002	CAR CABLE		DV7300J
△	A17	QAM0450-002	CAR CABLE		DV7301E,DV7301EU,DV7302E,DV7302EU ,DV7307EE,DV7308EE
△	A17	QAM0455-002	CAR CABLE		DV7304UI,DV7305U,DV7305UN,DV7305U T,DV7305A,DV7306U,DV7306UN,DV7306 UT,DV7306A
△	A17	QAM0981-001	CAR CABLE		DV7388UF
	A18	-----	WARRANTY CARD	BT-52007-1	ADV7380J,DV7300J
	A18	-----	WARRANTY CARD	BT-54031-1	DV7301E,DV7302E,DV7307EE,DV7308EE
	A19	-----	WARRANTY CARD	BT-51029-3	ADV7380J
	A19	-----	WARRANTY CARD	BT-51018-5	DV7300J
	A20	BT-51041-1	REGIS. CARD	BT-51041-1	ADV7380J,DV7300J
	A21	VND3050-002	IDENTITY CARD		DV7301E,DV7302E
	A22	VND3046-001	SERIAL TICKET		DV7301E,DV7302E,DV7307EE,DV7308EE
	KIT	SRW-ADV6160J	SCREW PARTS KIT	A8 A9 A10 A11 A12 A13	
	P 1	GE32646-001A	INNER CARTON		ADV7380J
	P 1	GE32643-001A	INNER CARTON		DV7300J
	P 1	GE32663-001A	INNER CARTON		DV7301E,DV7301EU
	P 1	GE32666-001A	INNER CARTON		DV7302E,DV7302EU
	P 1	GE32660-001A	INNER CARTON		DV7304UI
	P 1	GE32649-001A	INNER CARTON		DV7305U,DV7305UN,DV7305UT,DV7305A
	P 1	GE32652-001A	INNER CARTON		DV7306U,DV7306UN,DV7306UT,DV7306A
	P 1	GE32669-001A	INNER CARTON		DV7307EE
	P 1	GE32797-001A	INNER CARTON		DV7308EE
	P 1	GE32683-001A	INNER CARTON		DV7388UF

△	Symbol No.	Part No.	Part Name	Description	Local
	P 2	QPC03004315P	POLY BAG	30cm x 43cm	ADV7380J,DV7300J,DV7301E,DV7301EU, DV7302E,DV7302EU,DV7304UI,DV7305U, DV7305UN,DV7305UT,DV7305A,DV7306U ,DV7306UN,DV7306UT,DV7306A,DV7388 UF
	P 3	FSPG4002-001	POLY BAG		ADV7380J,DV7300J,DV7304UI,DV7305UN ,DV7305UT,DV7305A,DV7306UN,DV7306 UT,DV7306A,DV7307EE,DV7308EE,DV73 88UF
	P 3	FSPG4002-001	POLY BAG	(x2)	DV7301E,DV7301EU,DV7302E,DV7302EU ,DV7305U,DV7306U
	P 4	QPA00801205	POLY BAG	8cm x 12cm	
	P 5	QPC01002515	POLY BAG	10cm x 25cm	
	P 6	QPA01003003	POLY BAG	10cm x 30cm	
	P 7	GE10192-002A	CUSHION		

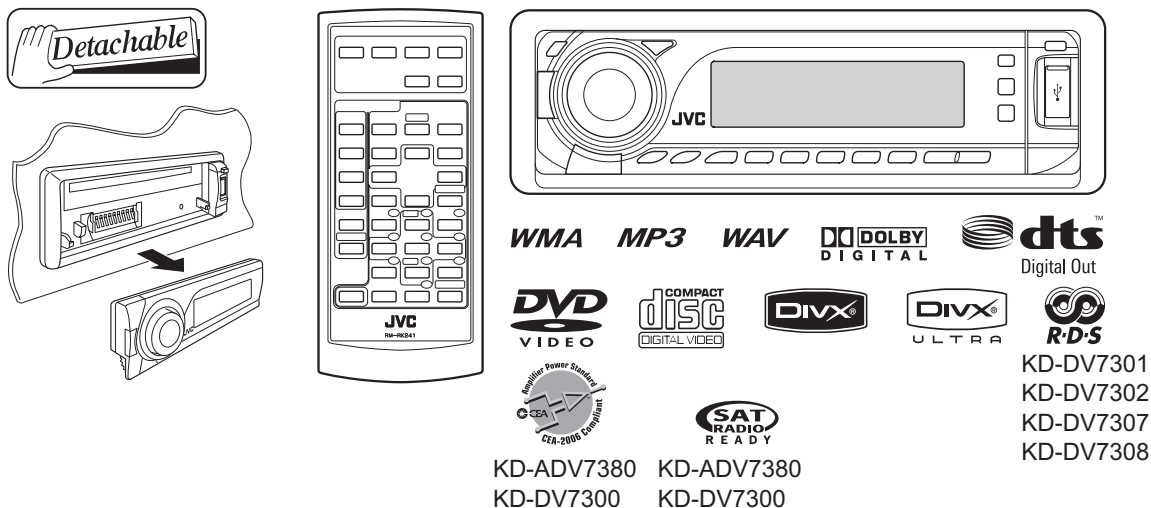
# JVC

## SCHEMATIC DIAGRAMS

### DVD/CD RECEIVER

**KD-ADV7380J, KD-DV7300J, KD-DV7301E  
KD-DV7301EU, KD-DV7302E, KD-DV7302EU  
KD-DV7304UI, KD-DV7305U, KD-DV7305UN  
KD-DV7305UT, KD-DV7305A, KD-DV7306U  
KD-DV7306UN, KD-DV7306UT, KD-DV7306A  
KD-DV7307EE, KD-DV7308EE, KD-DV7388UF**

CD-ROM No.SML200704



Lead free solder used in the board (material : Sn-Ag-Cu, melting point : 219 Centigrade)

Lead free solder used in the board (material : Sn-Cu, melting point : 230 Centigrade)

### Contents

Block diagram .....	2-1
Standard schematic diagrams .....	2-3
Printed circuit boards .....	2-13 to 16



## Safety precaution



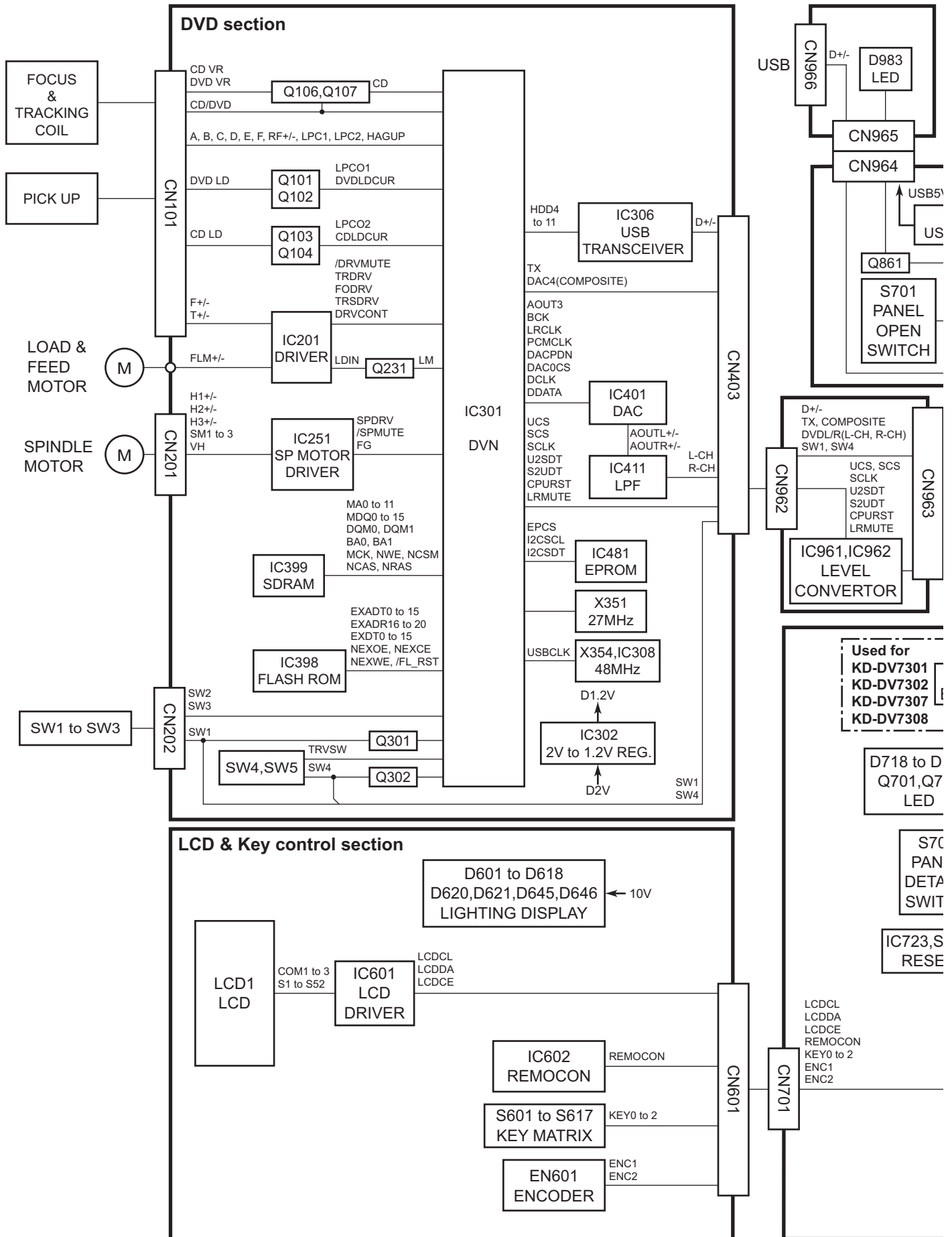
**CAUTION** Burrs formed during molding may be left over on some parts of the chassis. Therefore, pay attention to such burrs in the case of performing repair of this system.

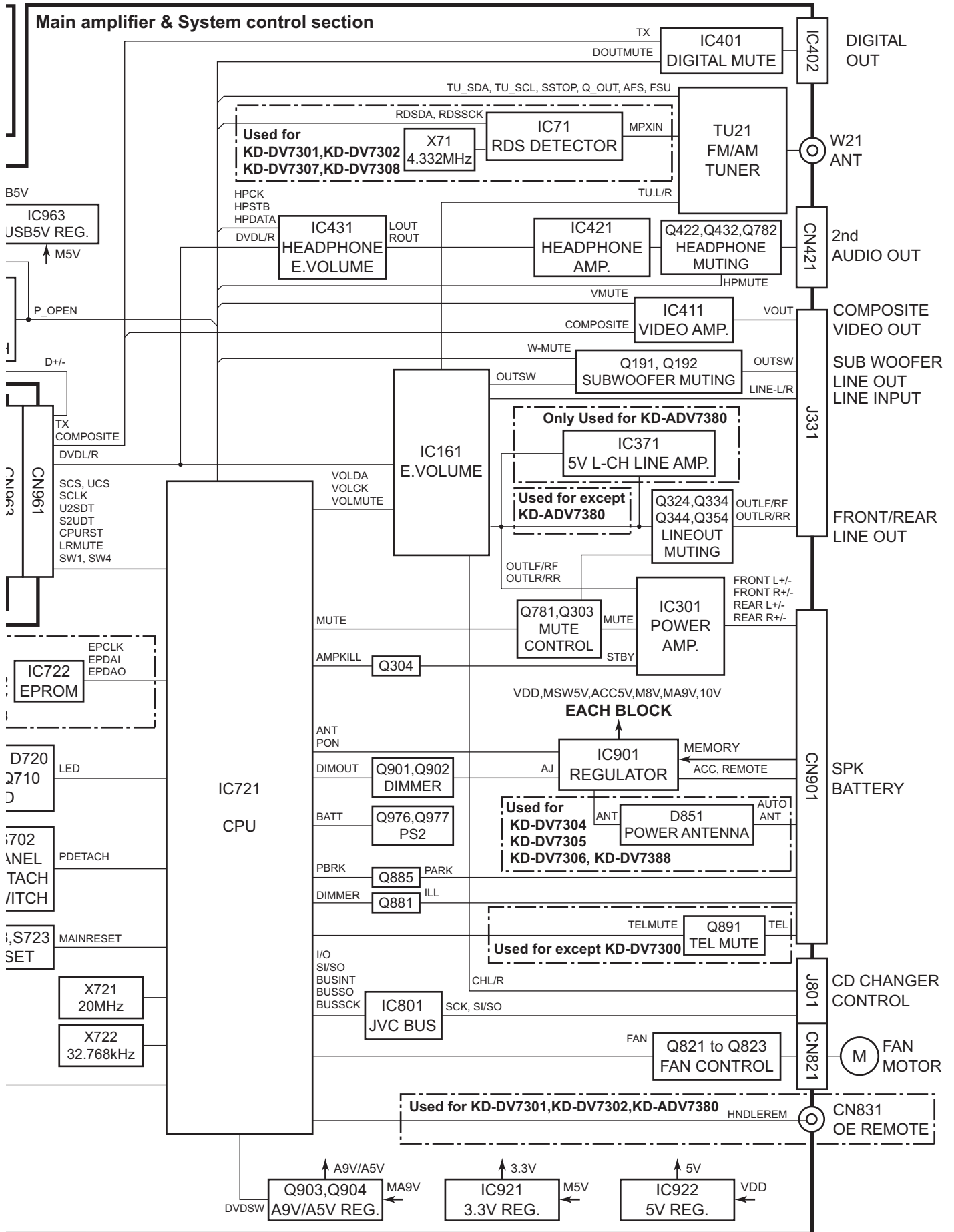


**CAUTION** Please use enough caution not to see the beam directly or touch it in case of an adjustment or operation check.

< MEMO >

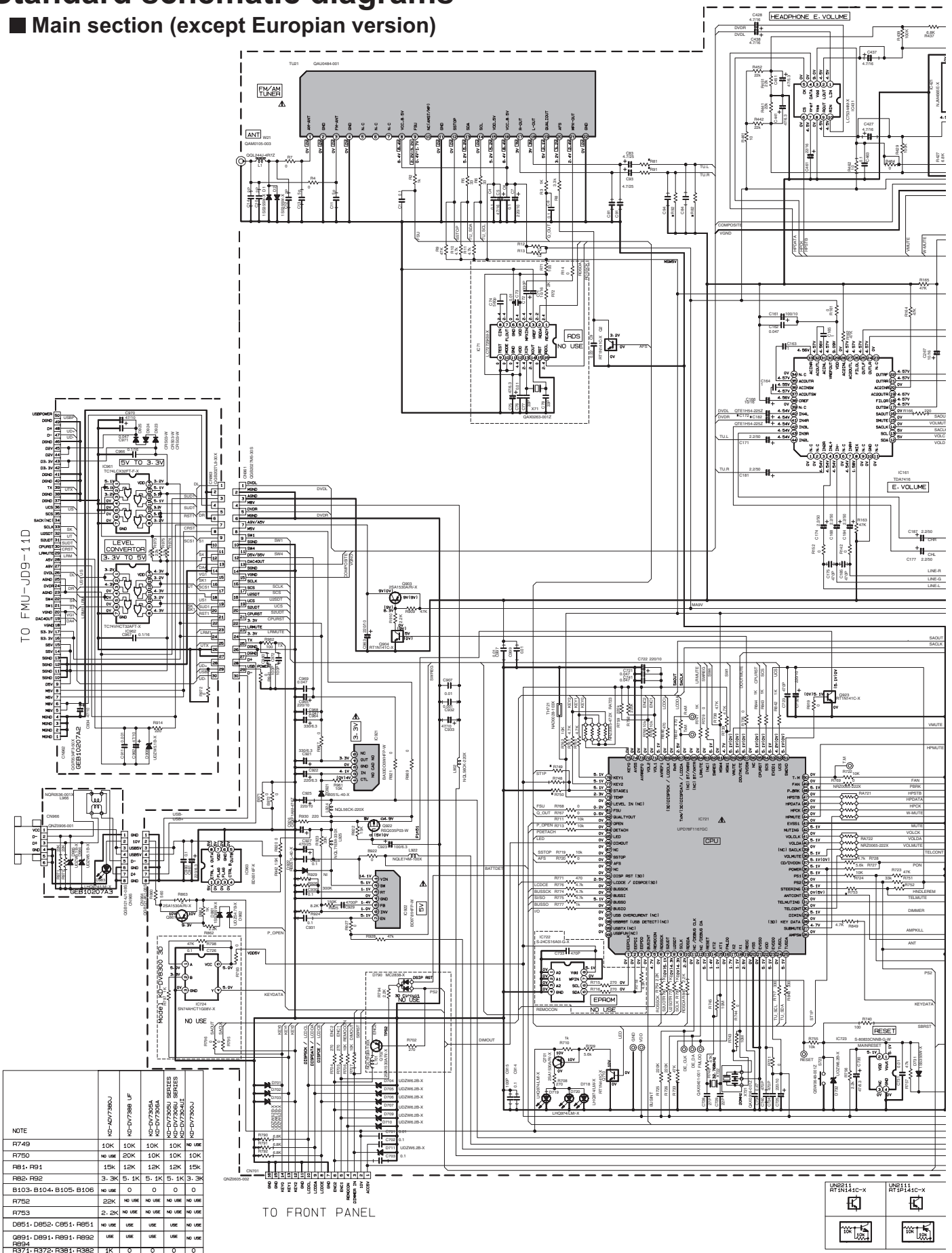
# Block diagram

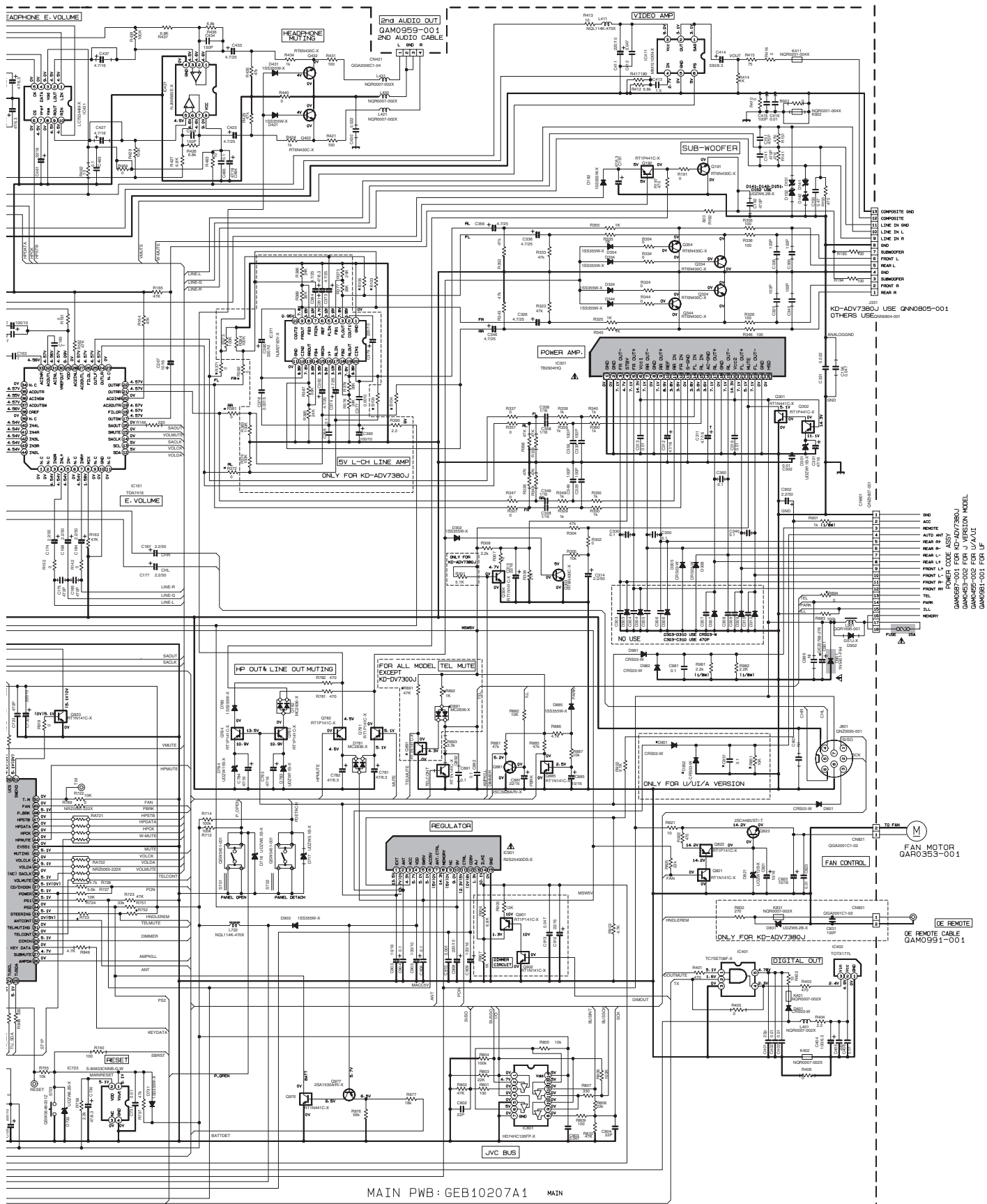




# Standard schematic diagrams

## ■ Main section (except European version)





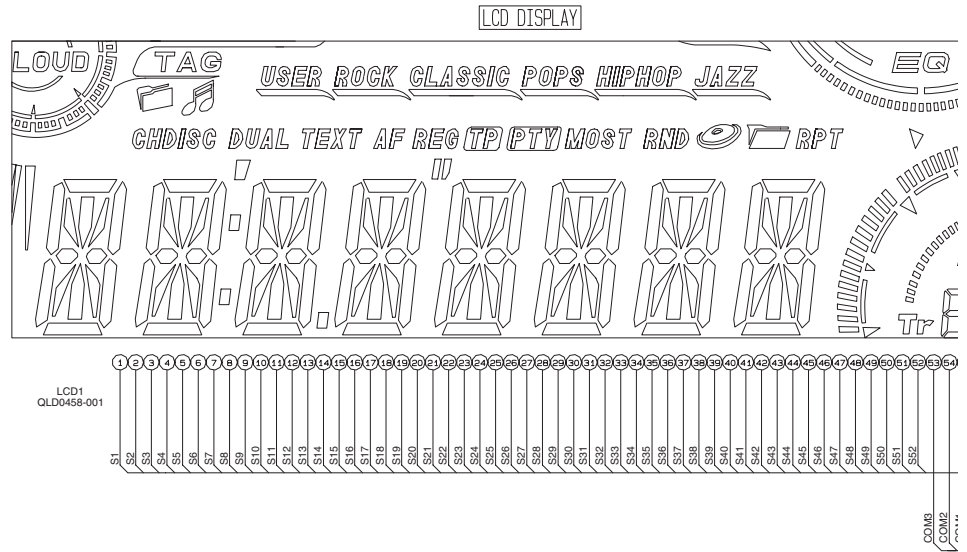
MAIN PWB: GEB10207A1 MAIN

UN2011 RT5M41C-X	UN2011 RT5M41C-X	UN2013 RT5M43C-X	UN2013 RT5M41C-X

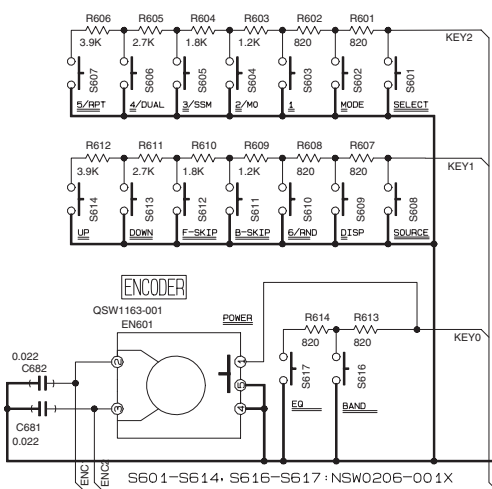
- NOTES
1. VOLTAGES ARE DC-MEASURED WITH A DIGITAL VOLT METER WITHOUT INPUT SIGNAL CONDITION — DVD MODE ( ) FM MODE ( ) AM MODE ( ) CH MODE ( ) USB MODE ( )
  2. UNLESS OTHERWISE SPECIFIED, ALL RESISTORS ARE 1/10W HEX METAL GLAZE RESISTOR. ALL CAPACITORS ARE 50V OR 25V CERAMIC CAPACITOR. ALL RESISTANCE VALUES ARE IN OHM. ALL CAPACITANCE VALUES ARE IN pF (pF) OR nF (nF). ALL E-CAPACITORS ARE SHOWN IN THE FORM OF CAPACITANCE (uF)/RATED VOLTAGE (V). F — FILM CAPACITOR
  3. NI STANDS FOR NOT MOUNTED PARTS

Parts are safety assurance parts. When replacing those parts make sure to use the specified one.

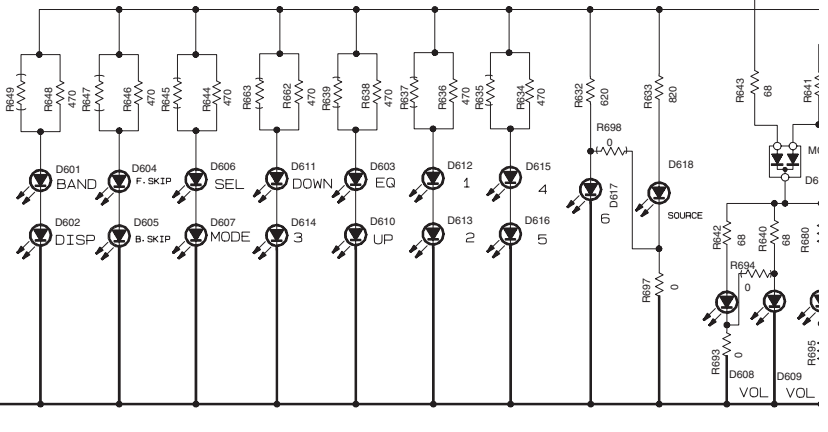
# ■ LCD and Key control section (except European version)



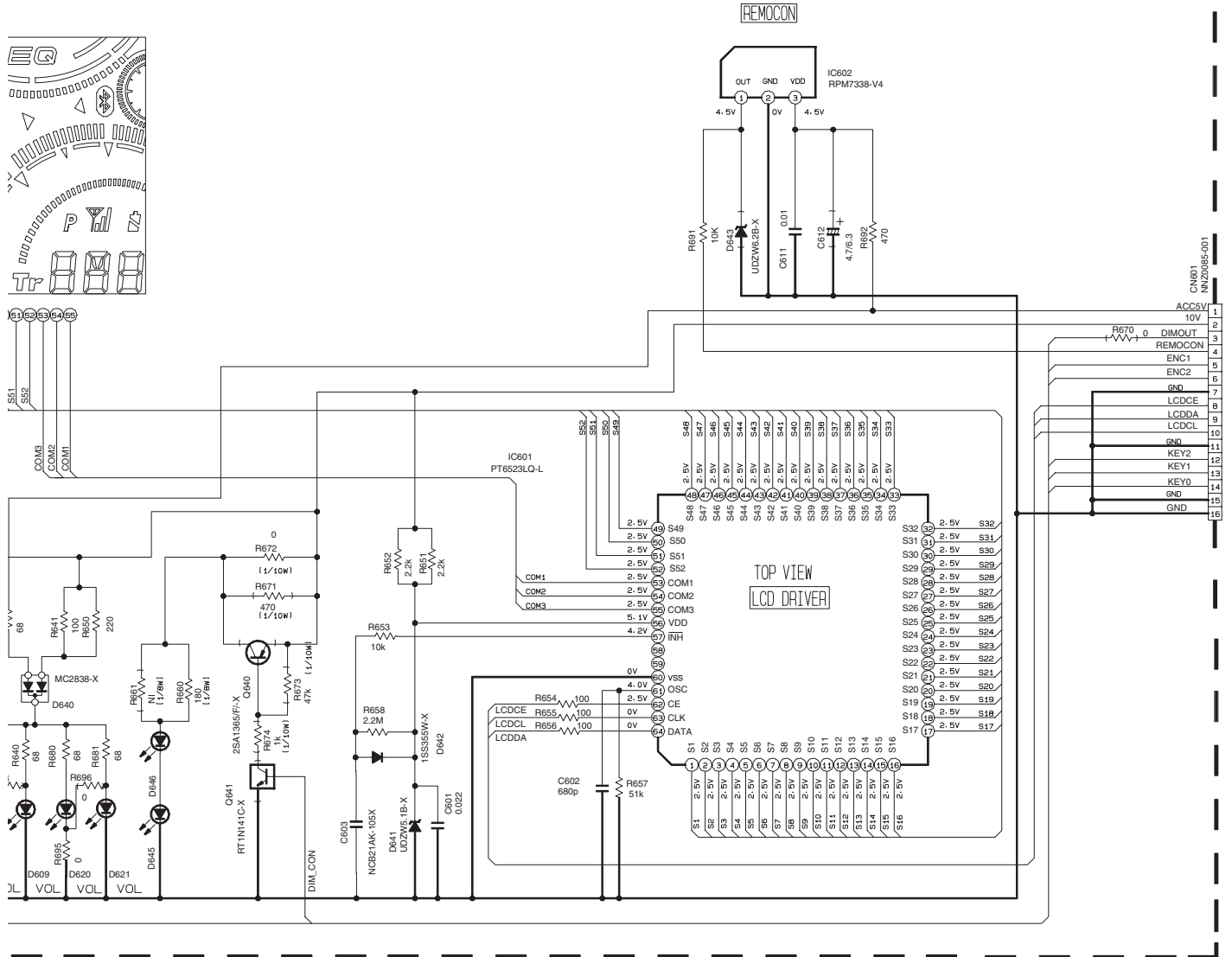
KEY MATRIX



LIGHTING DISPLAY



* REMARK	KD-ADV7380J KD-DV7300J KD-DV7305/6A KD-DV7305/6U SERIES KD-DV7304UI KD-DV7388 UF
D601 - D607 D610 - D617	LHQ974/LM/-X
D608 D620 D609 D621 D618	SML310BA1T/HJ-X
D645-D646	NSPW310BS/BRST/



NOTES

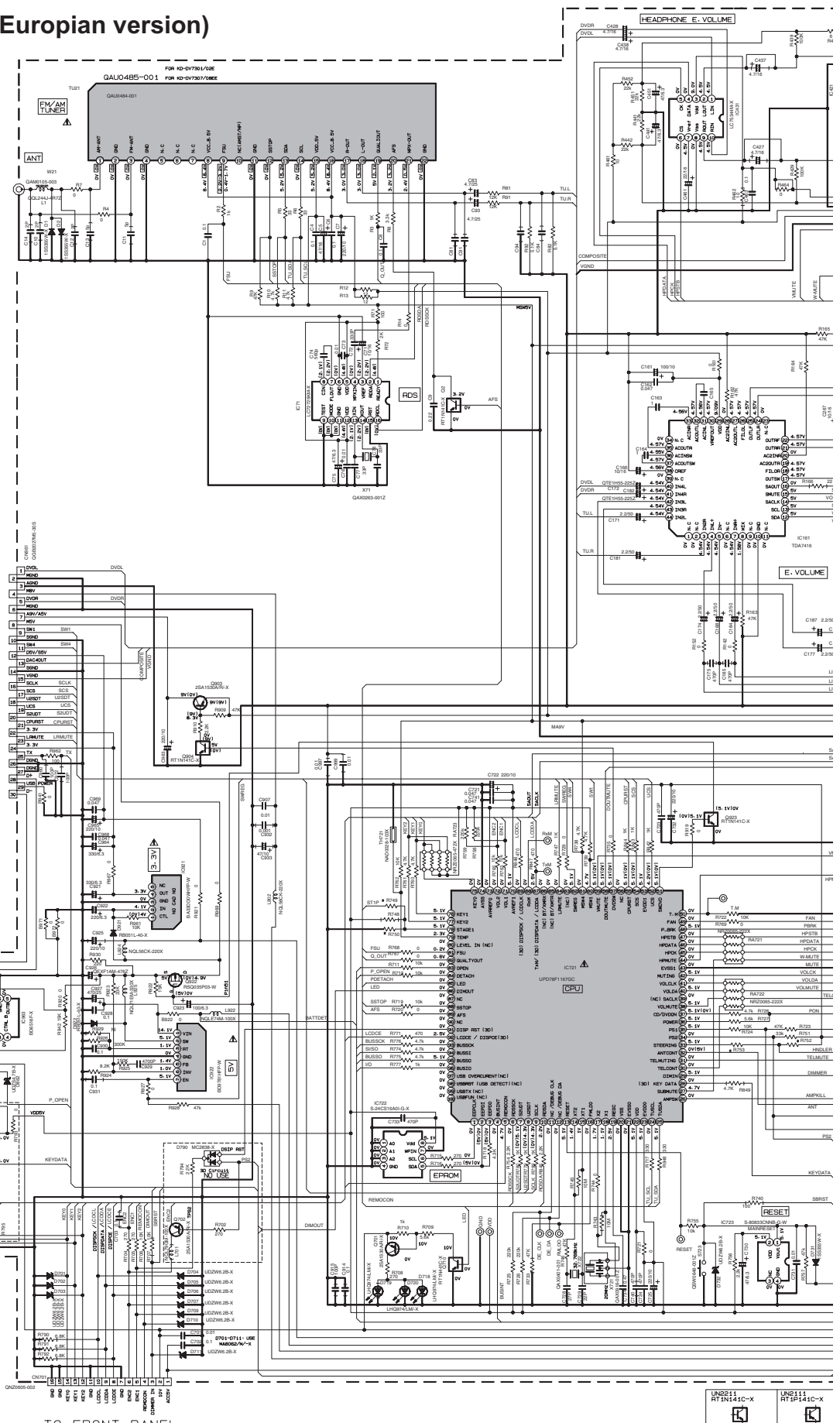
1. VOLTAGES ARE DC-MEASURED WITH A DIGITAL VOLT METER WITHOUT INPUT SIGNAL.
2. UNLESS OTHERWISE SPECIFIED.  
ALL RESISTORS ARE 1/16W METAL GLAZE RESISTORS.  
ALL CAPACITORS ARE 50V OR 25V CERAMIC CAPACITOR.  
ALL RESISTANCE VALUES ARE IN OHM.  
ALL CAPACITANCE VALUES ARE IN uF(P=ppF)  
ALL E. CAPACITORS ARE SHOWN IN THE FORM OF CAPACITANCE(uF)/RATED VOLTAGE(V)  
T --- TANTALUM CAPACITOR.
3. COMPONENTS IN ( ) INDICATE NOT USE.

	10K	RT1N141C-X UN2211
	10K	RT1P141C-X UN2111



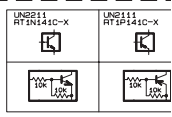
# Main section (for European version)

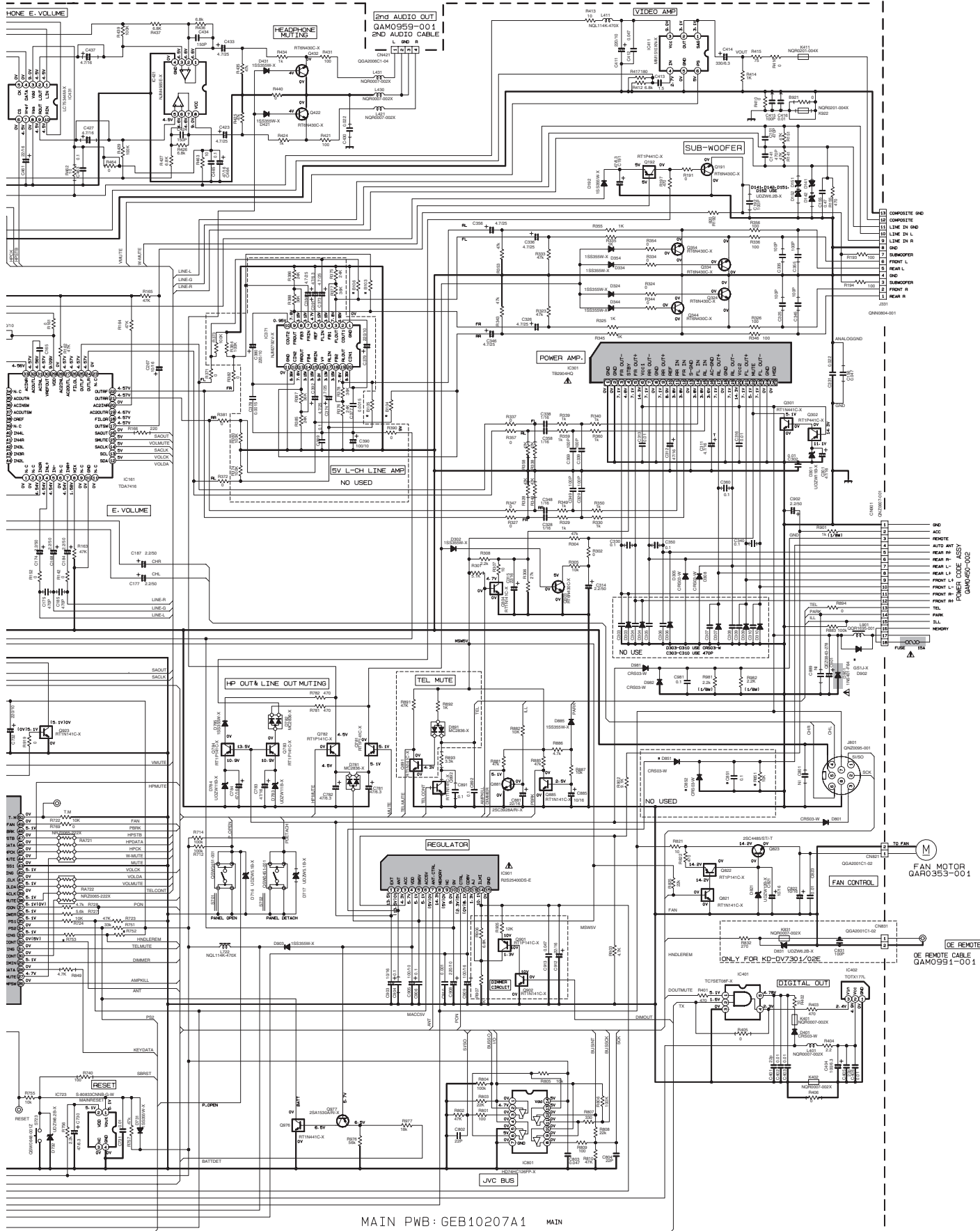
TO FMU-JD9-410



TO FRONT PANEL

NOTE	US-DV730/02E	KD-DV730/02E	KD-DV730/02EE
R749	10K	NO USE	NO USE
R750	NO USE	10K	NO USE
B103- B104- B105- B106	0	0	NO USE
R752	22K	NO USE	NO USE
R753	2K	NO USE	NO USE
D902	USE	NO USE	NO USE





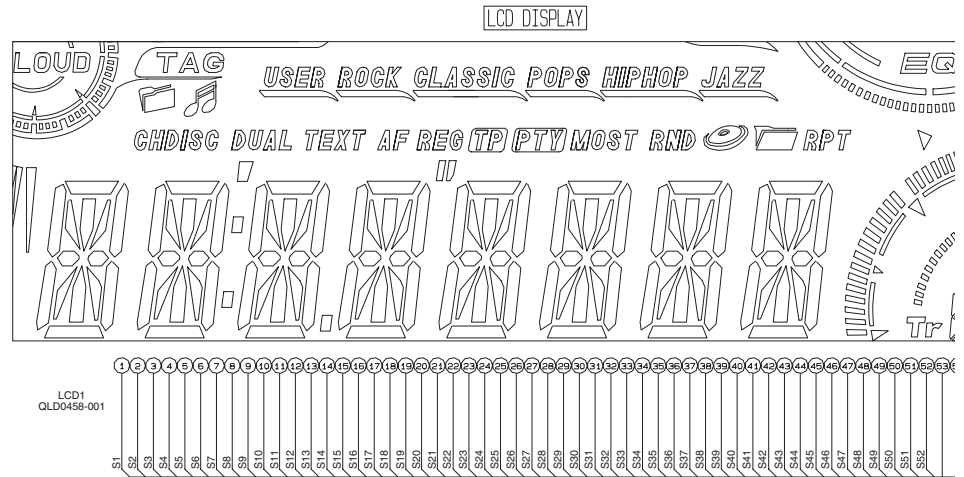
MAIN PWB: GEB10207A1 MAIN

UN2111 RT1841C-X	UN2111 RT1841C-X	UN2113 RT1841C-X	UN2113 RT1841C-X

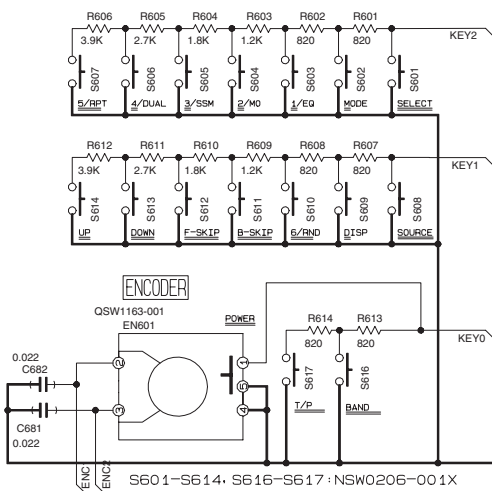
- NOTES
1. VOLTAGES ARE DC-MEASURED WITH A DIGITAL VOLT METER WITHOUT INPUT SIGNAL CONDITION — DVD MODE: ( ) FM MODE: ( ) AM MODE: ( ) CH MODE: — USB MODE
  2. UNLESS OTHERWISE SPECIFIED:  
ALL RESISTORS ARE 1/16W 45K METAL GLAZE RESISTOR.  
ALL CAPACITORS ARE 50V OR 25V CERAMIC CAPACITOR.  
ALL RESISTANCE VALUES ARE IN OHM.  
ALL CAPACITANCE VALUES ARE IN uF (pF)  
ALL E. CAPACITORS ARE SHOWN IN THE FORM OF CAPACITANCE (uF)/RATED VOLTAGE (V)  
F — FILM CAPACITOR
  3. NI STANDS FOR NOT MOUNTED PARTS

Parts are safety assurance parts.  
When replacing those parts make sure to use the specified one.

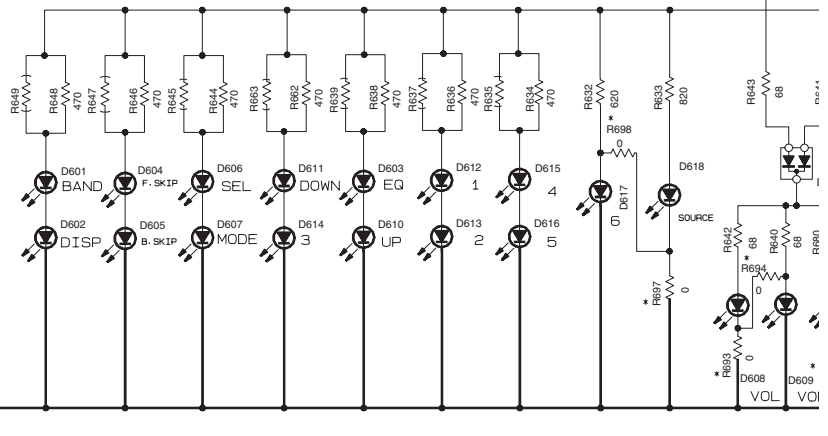
# ■ LCD and Key control section (for European version)



## KEY MATRIX

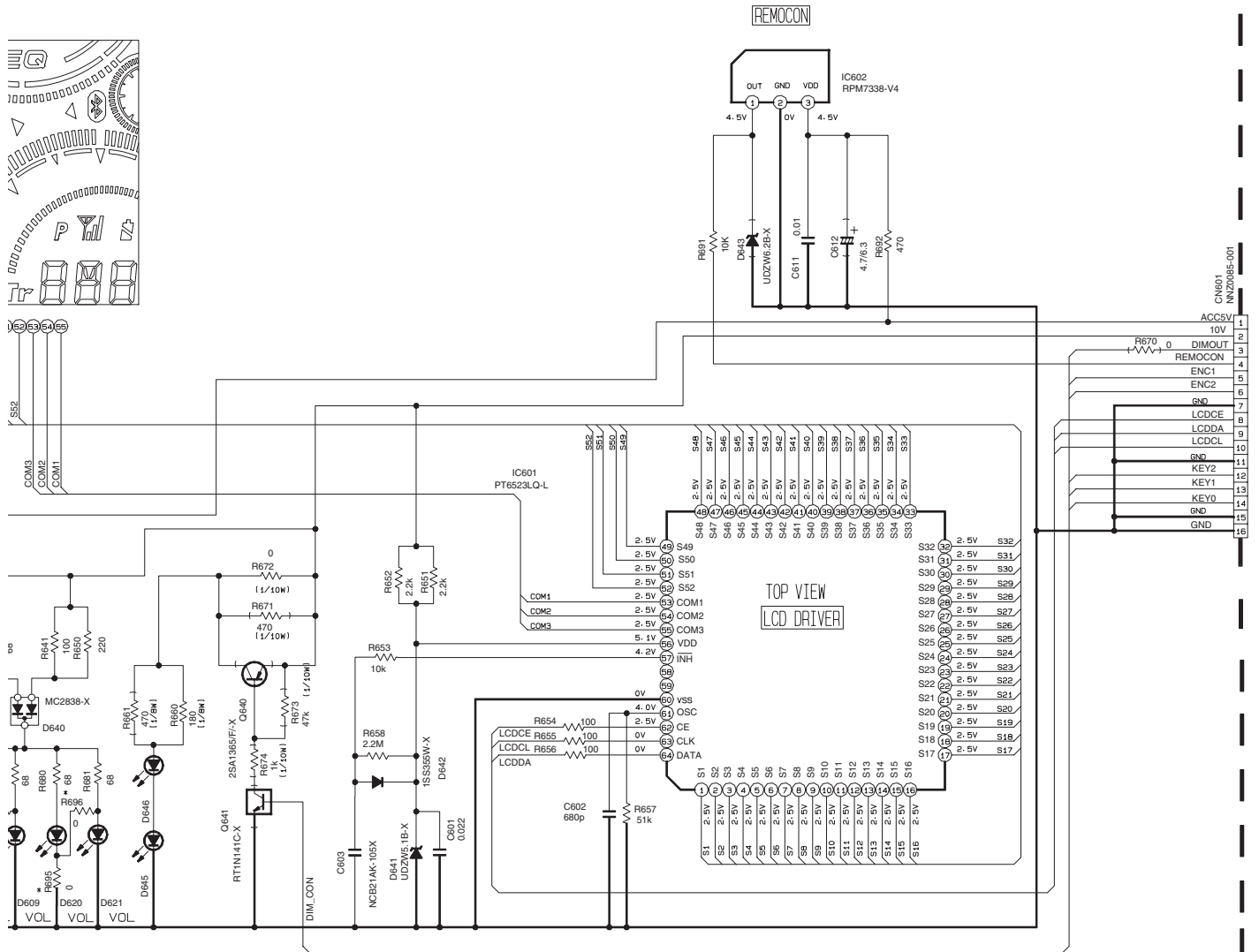


## LIGHTING DISPLAY



*REMARK	KD-DV7301E KD-DV7302E KD-DV7307EE KD-DV7308EE
R693 R695	0ohm
R694 R696	No Used
R697	0ohm
R698	No Used

*REMARK	KD-DV7301E KD-DV7302E KD-DV7307EE KD-DV7308EE
D601 - D607 D610 - D617	LSQ971/KL/-X
D608 D620 D609 D621 D618	SML310BA1T/HJ-X
D645-D646	NSPW310BS/BRST/

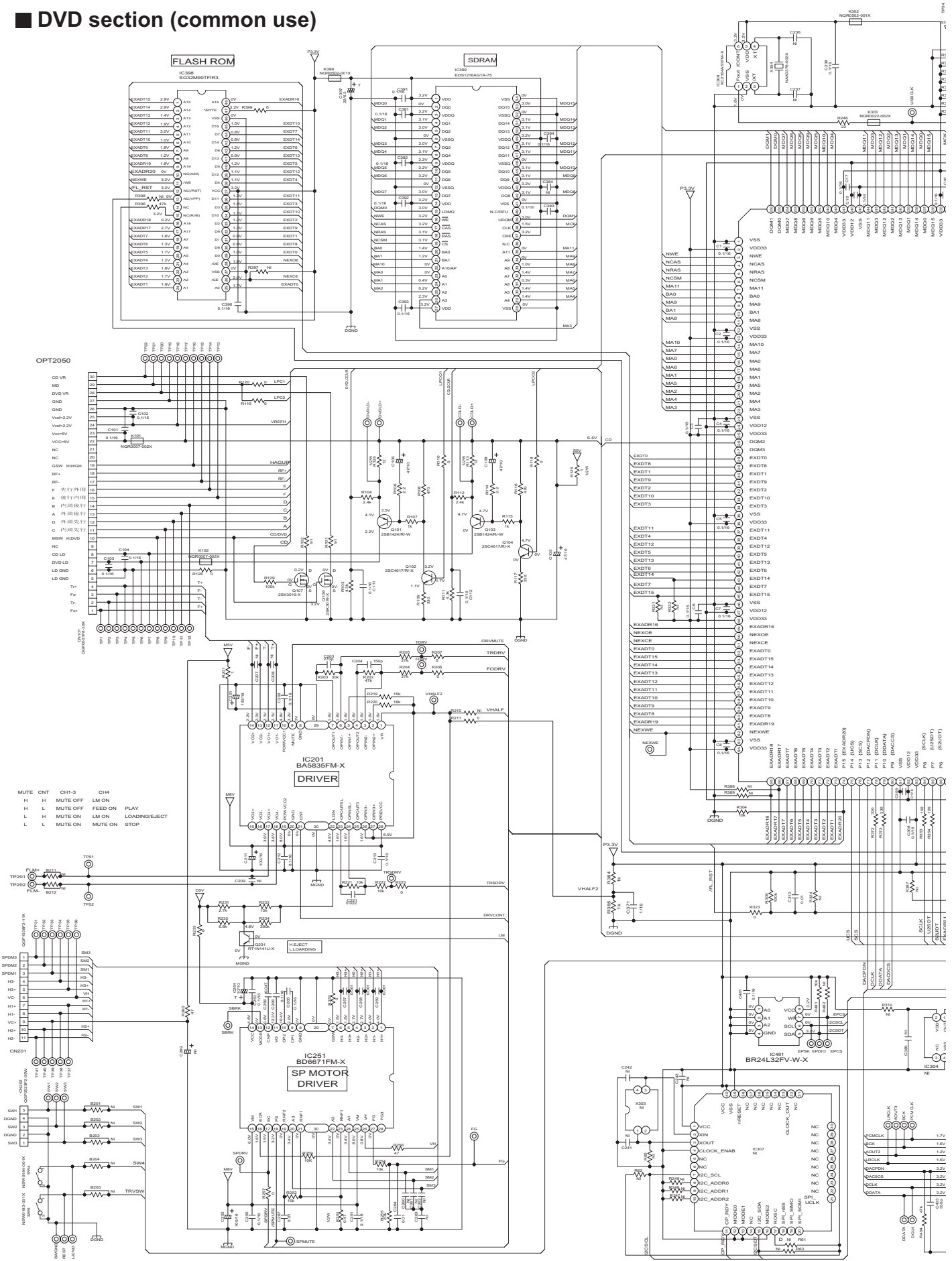


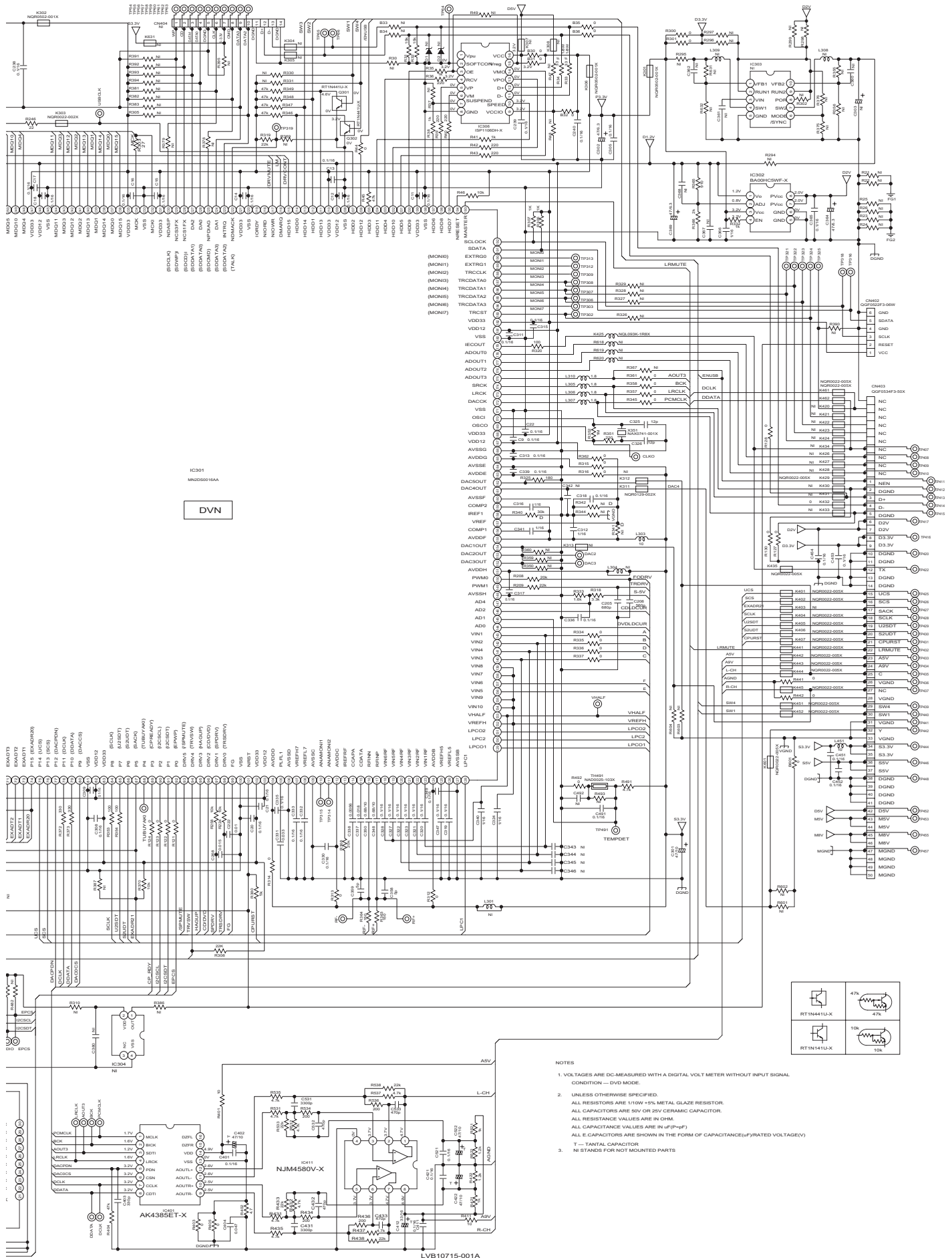
NOTES

1. VOLTAGES ARE DC-MEASURED WITH A DIGITAL VOLT METER WITHOUT INPUT SIGNAL.
2. UNLESS OTHERWISE SPECIFIED.  
ALL RESISTORS ARE 1/16W METAL GLAZE RESISTORS.  
ALL CAPACITORS ARE 50V OR 25V CERAMIC CAPACITOR.  
ALL RESISTANCE VALUES ARE IN OHM.  
ALL CAPACITANCE VALUES ARE IN uF (P=pF)  
ALL E-CAPACITORS ARE SHOWN IN THE FORM OF CAPACITANCE(uF)/RATED VOLTAGE(V)  
T --- TANTALUM CAPACITOR.
3. COMPONENTS IN ( ) INDICATE NOT USE.

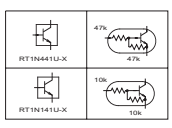
	10K	RT1N141C-X UN2211
	10K	RT1P141C-X UN2111

# DVD section (common use)





IC301  
M9250516AA  
DVN



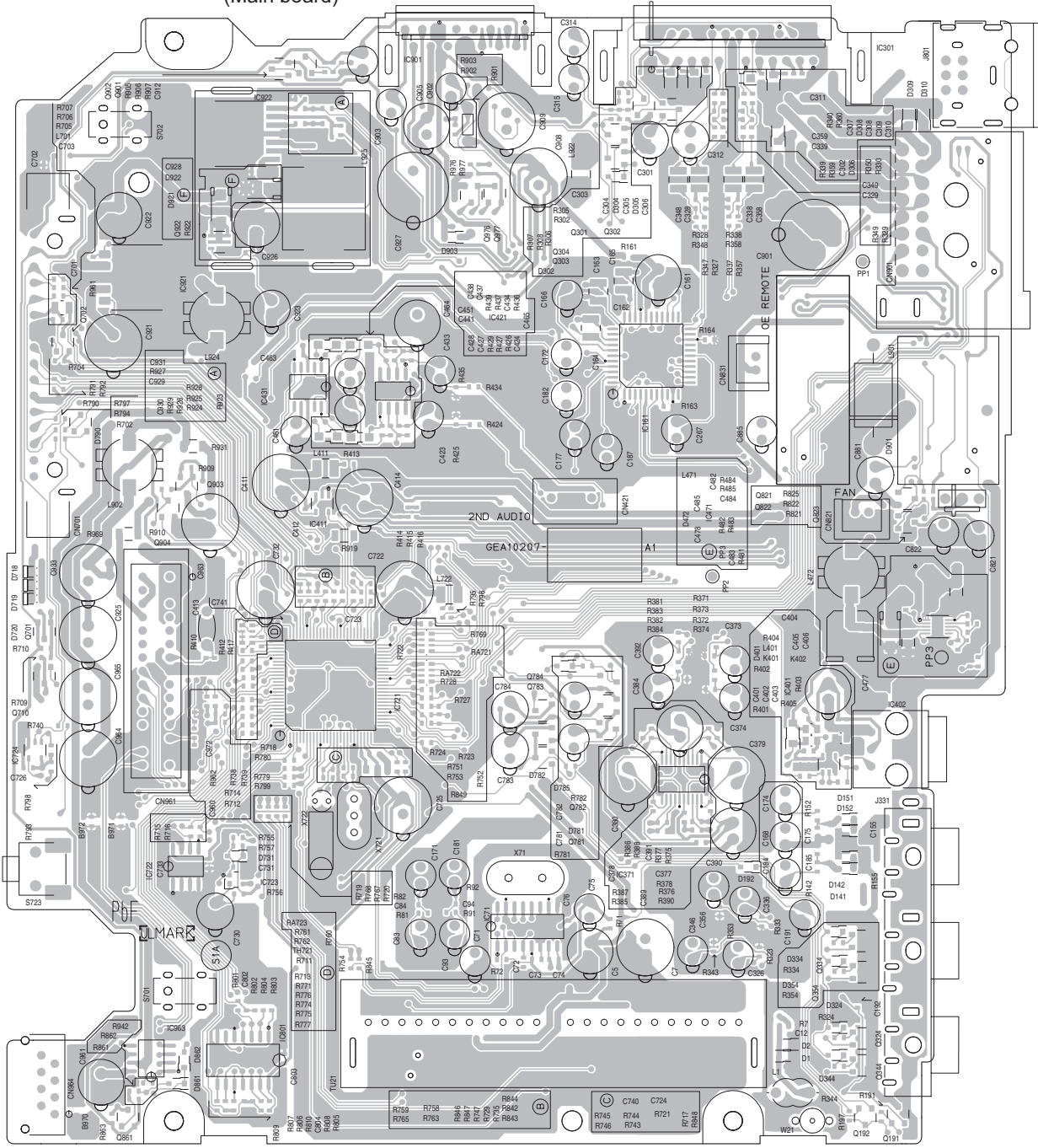
- NOTES
1. VOLTAGES ARE DC-MEASURED WITH A DIGITAL VOLT METER WITHOUT INPUT SIGNAL CONDITION — DVD MODE.
  2. UNLESS OTHERWISE SPECIFIED, ALL RESISTORS ARE 1/10W 4% METAL GLAZE RESISTOR. ALL CAPACITORS ARE 50V OR 25V CERAMIC CAPACITOR. ALL RESISTANCE VALUES ARE IN OHM. ALL CAPACITANCE VALUES ARE IN pF(μF).
  3. ALL CAPACITORS ARE SHOWN IN THE FORM OF CAPACITANCE/(RATED VOLTAGE(V))
- T — TANTALUM CAPACITOR  
NI STANDS FOR NOT MOUNTED PARTS

# Printed circuit boards

- Main board Lead free solder used in the board (material : Sn-Ag-Cu, melting point : 219 Centigrade)
- Main board Lead free solder used in the board (material : Sn-Cu, melting point : 230 Centigrade)

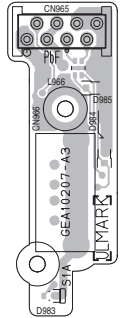
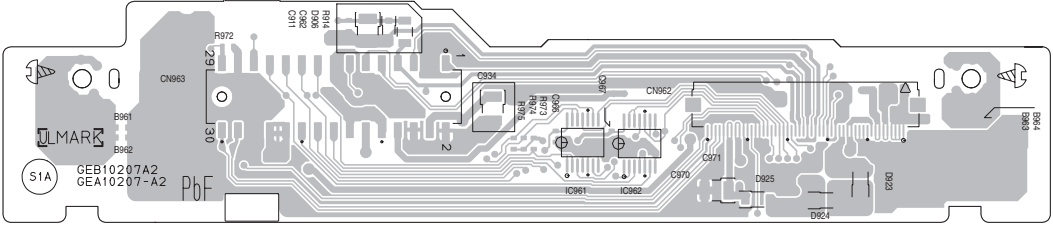
forward side

(Main board)



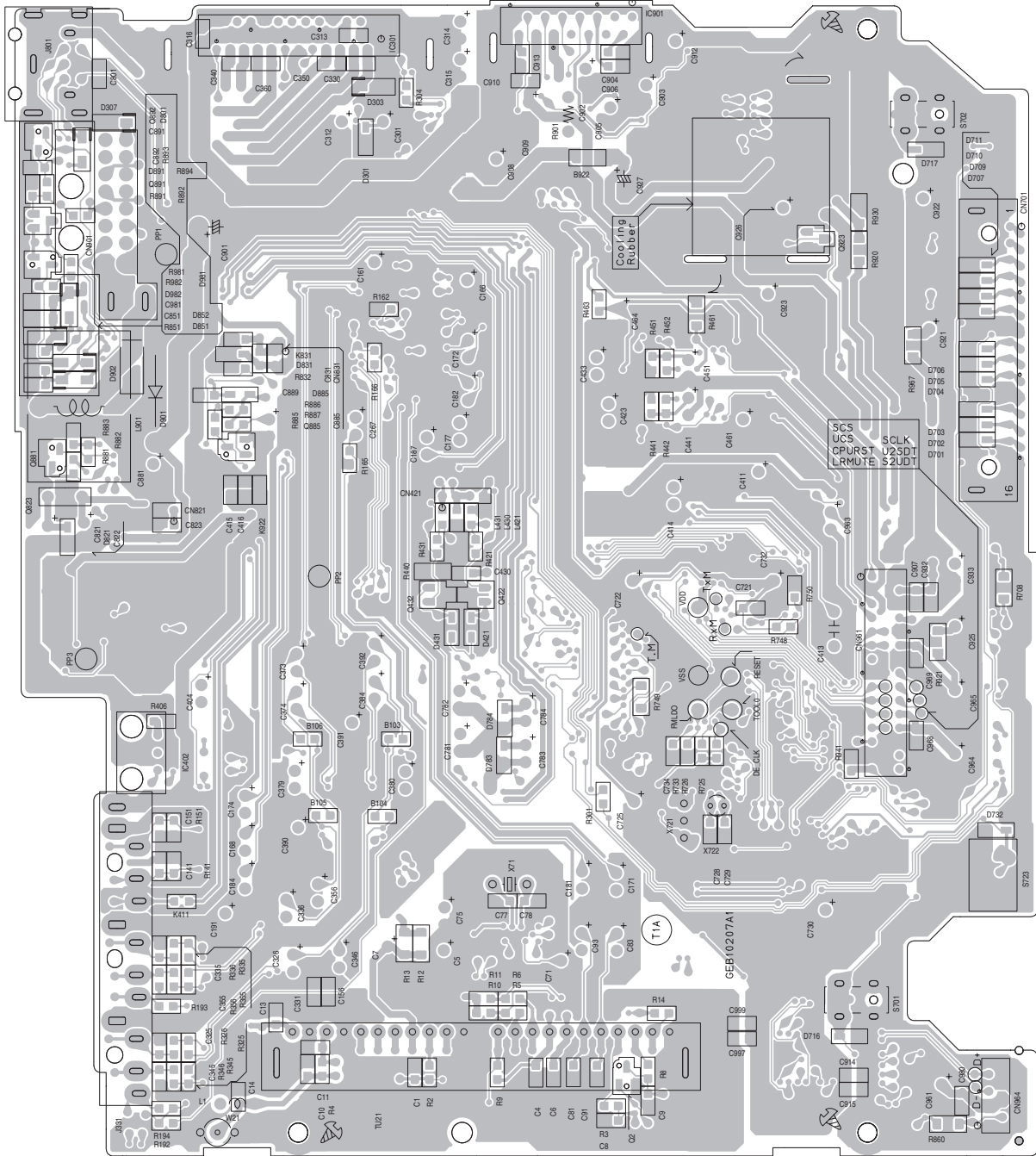
(Jack board)

(Main sub board)

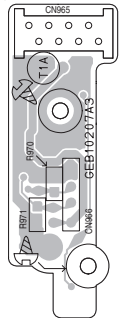


forward side

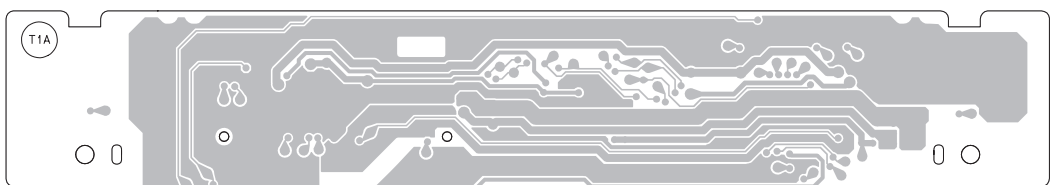
(Main board)



(Jack board)



(Main sub board)

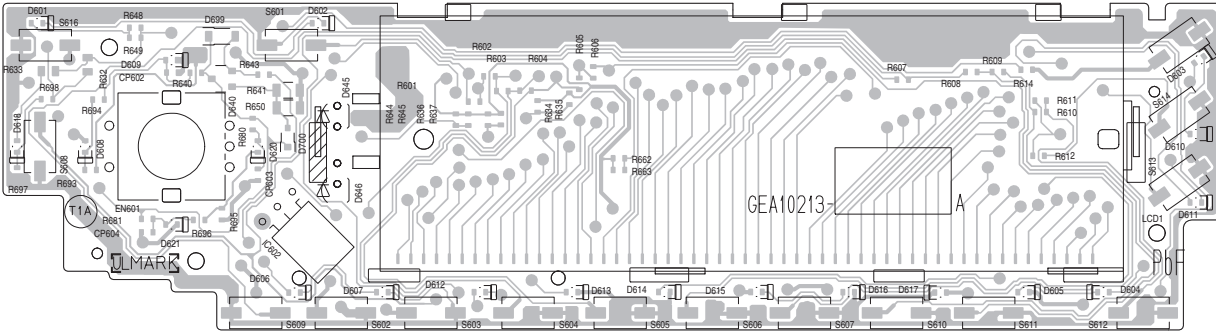




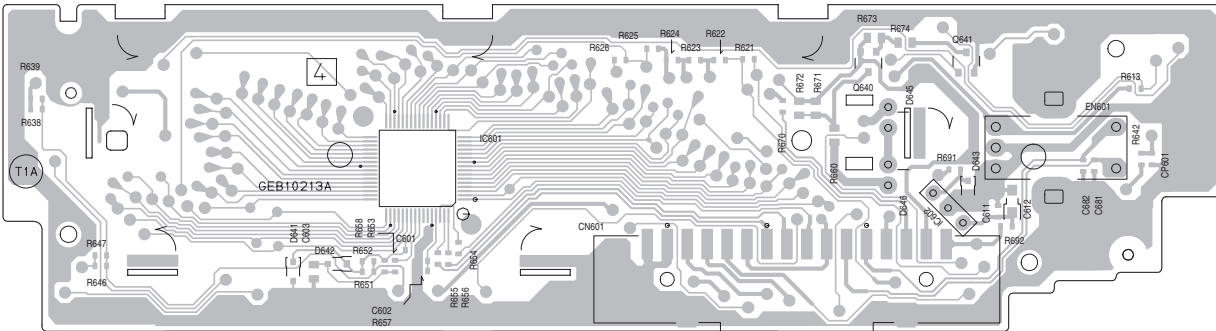
■ **Switch board** Lead free solder used in the board (material : Sn-Ag-Cu, melting point : 219 Centigrade)

Lead free solder used in the board (material : Sn-Cu, melting point : 230 Centigrade)

forward side



reverse side

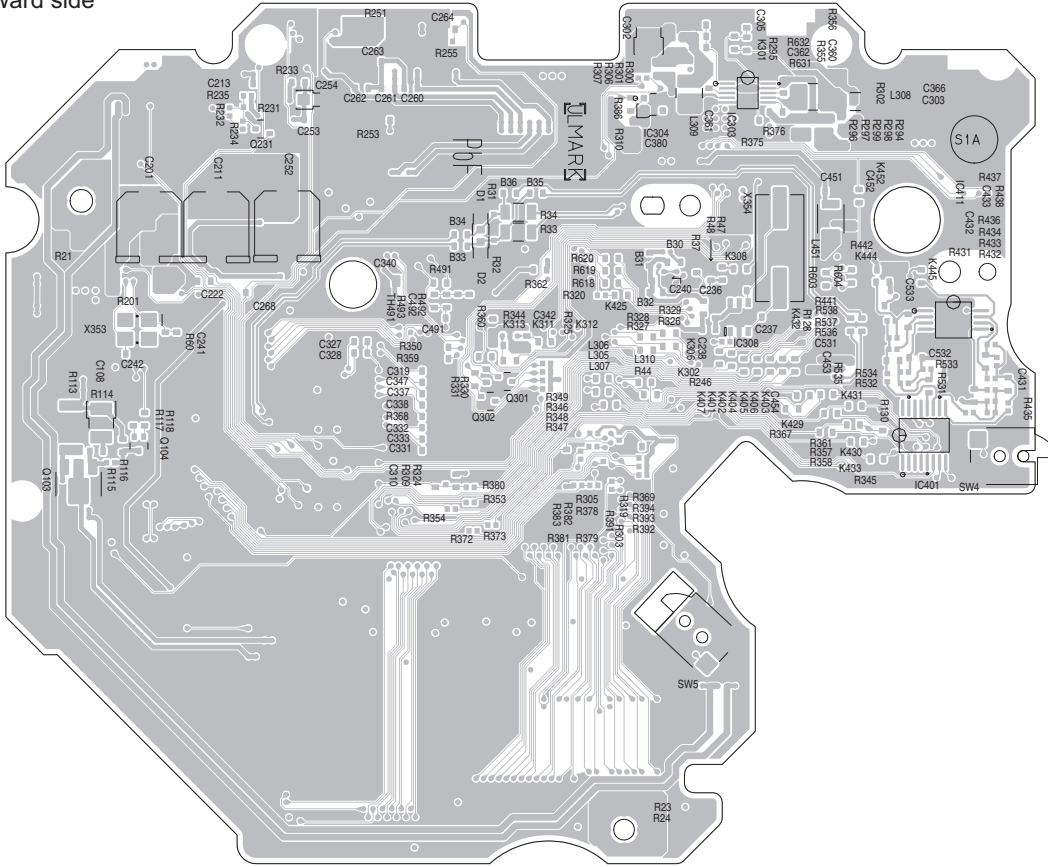


# Frontend board

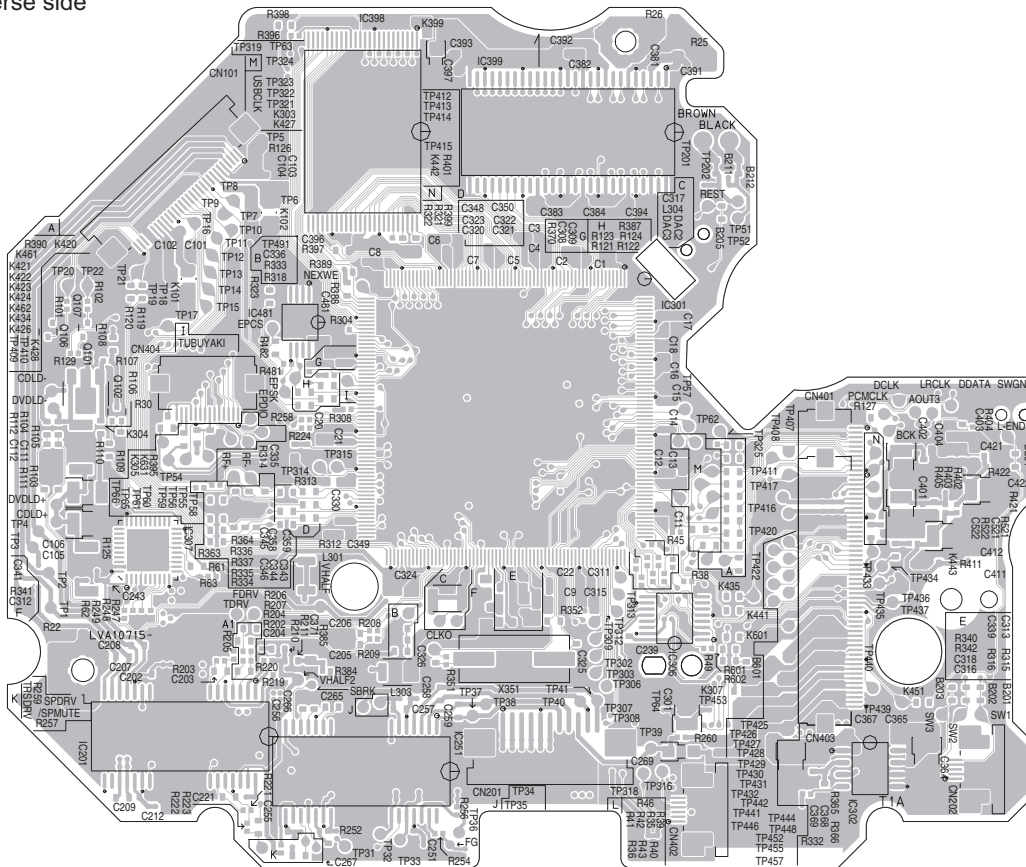
Lead free solder used in the board (material : Sn-Ag-Cu, melting point : 219 Centigrade)

Lead free solder used in the board (material : Sn-Cu, melting point : 230 Centigrade)

forward side



reverse side



**JVC**

**Victor Company of Japan, Limited**

Mobile Entertainment Business Group Mobile Entertainment Category 10-1, 1chome, Ohwatari-machi, Maebashi-city, Gumma-ken, 371-8543, Japan

(No.MA312SCH)



Printed in Japan  
VPT